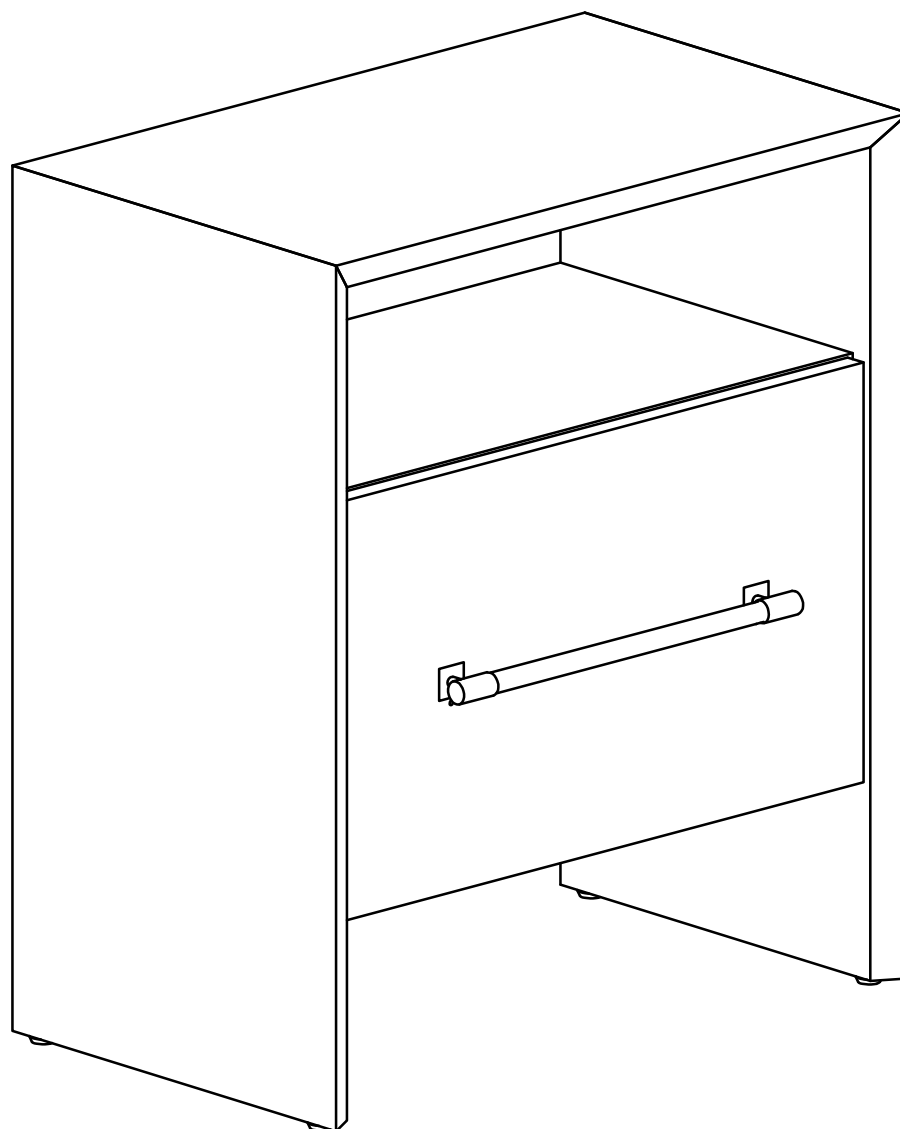




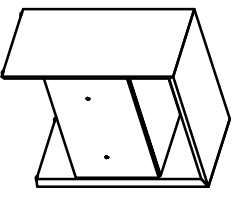
LIBRE NIGHTSTAND

LIBRE NIGHTSTAND

ASSEMBLY INSTRUCTION



PARTS LIST

LABEL	PICTURE	DESCRIPTION	QTY.
A		NIGHTSTAND	1

BEFORE BEGINNING ASSEMBLY:

 Read instructions cover to cover.

 Have two adults on hand for assembly.

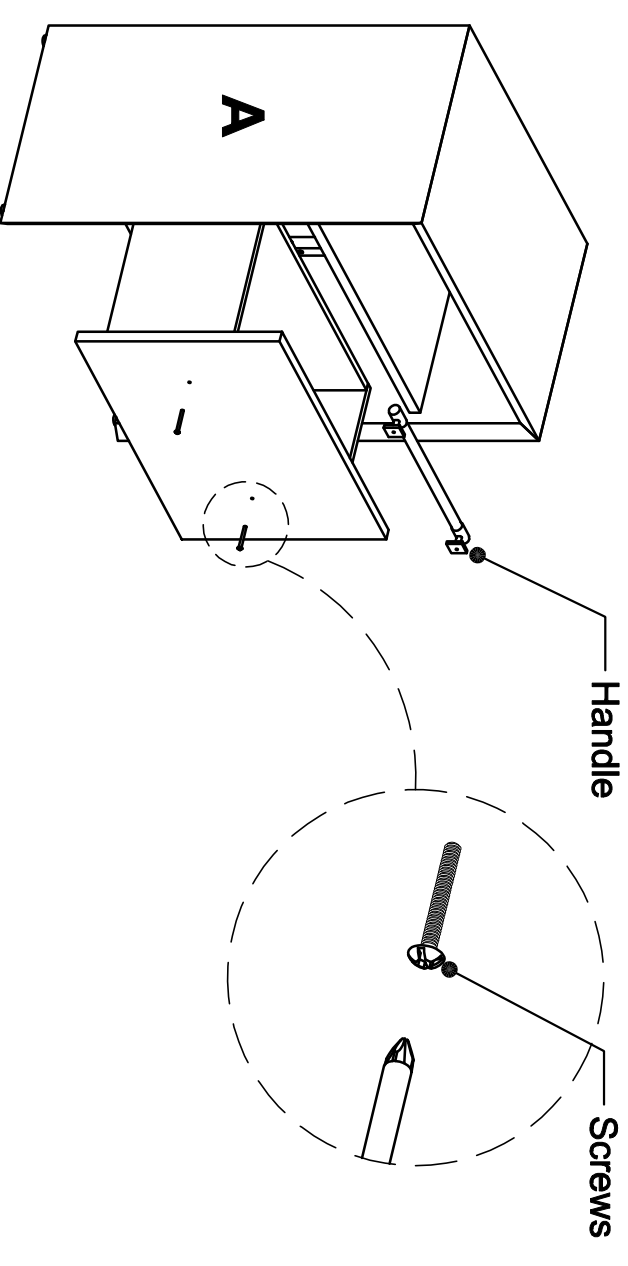
 Do NOT assemble on flooring or carpet. Assemble on a clean non-marring surface (ex: packing foam).

 Save all packaging until assembly is completed.

ASSEMBLY STEPS

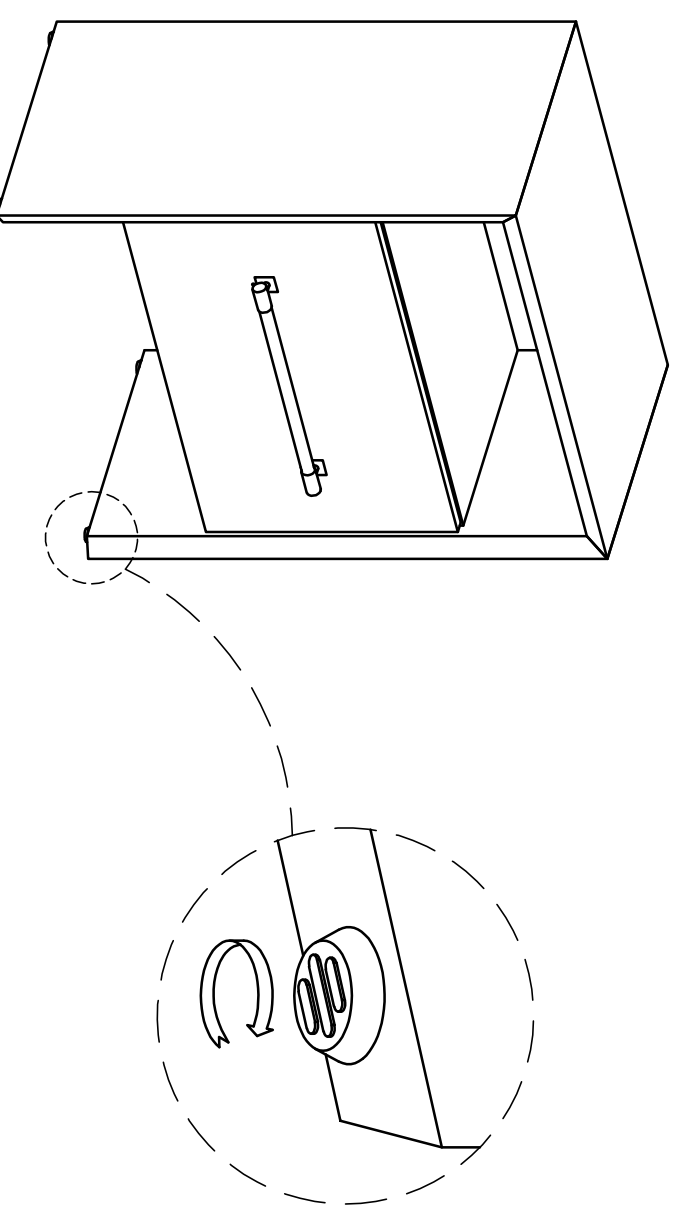
STEP 1

Open the drawer and remove the handle from inside.



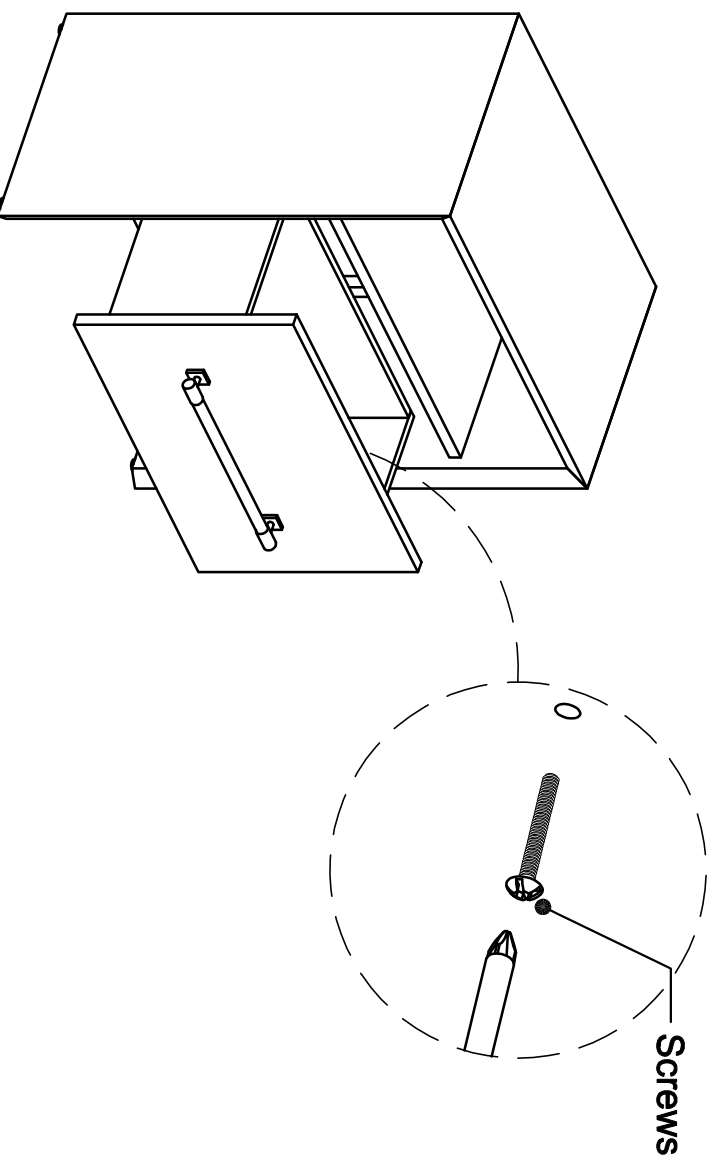
STEP 3

Adjust the levelers as needed.



STEP 2

Install the handle.



CARE & MAINTENANCE



Do not put hot items directly on furniture surface.



Do not clean furniture with harsh cleansers or polish



Dust and wipe up spills using a clean, non-colored, lint-free cloth.



Stains may be removed with a mild soap solution and a damp cloth.



Do not place furniture under direct sunlight.



Do not place furniture near heating or cooling vents.



Do not write on furniture without a padded barrier to protect the surface.



Do not place furniture outside, for indoor use only.

**"Need a part? Call TOV at 516-888-3355 or
email service@tovfurniture.com"**