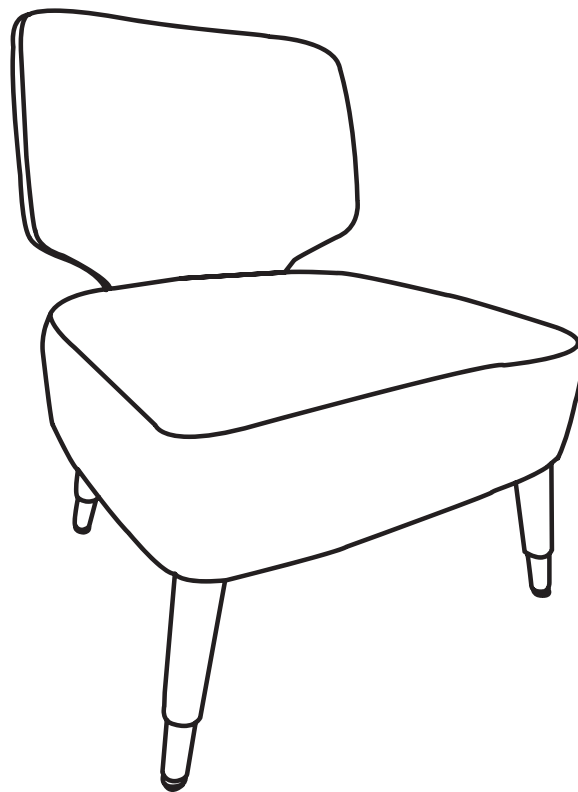



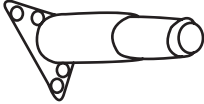
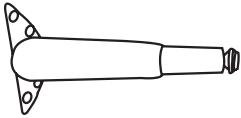
Athena Accent Chair

Athena Accent Chair





ASSEMBLY INSTRUCTIONS



PARTS LIST

LABEL	PICTURE	DESCRIPTION	QTY
A		Seat	1
B		Front Leg	2
C		Back Leg	2

HARDWARE

D		Spacer	16
E		Spacer	16
F		Screw	16
G		Wrench	1

BEFORE BEGINNING ASSEMBLY:



Read instructions cover to cover



Have two adults on hand for assembly



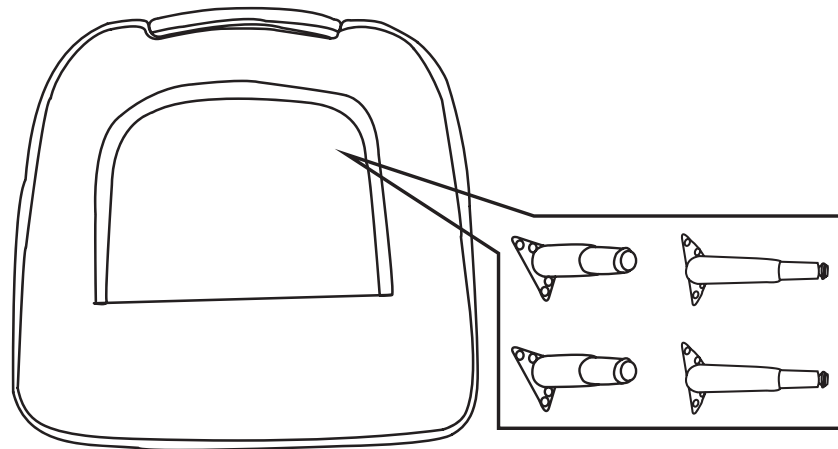
Do NOT assemble on flooring or carpet. Assemble on a clean non-marring surface (ex: packing foam)



*Save all packaging until assembly is completed Need a part?
Call TOV at 516-888-3355 or email service@tovfurniture.com*

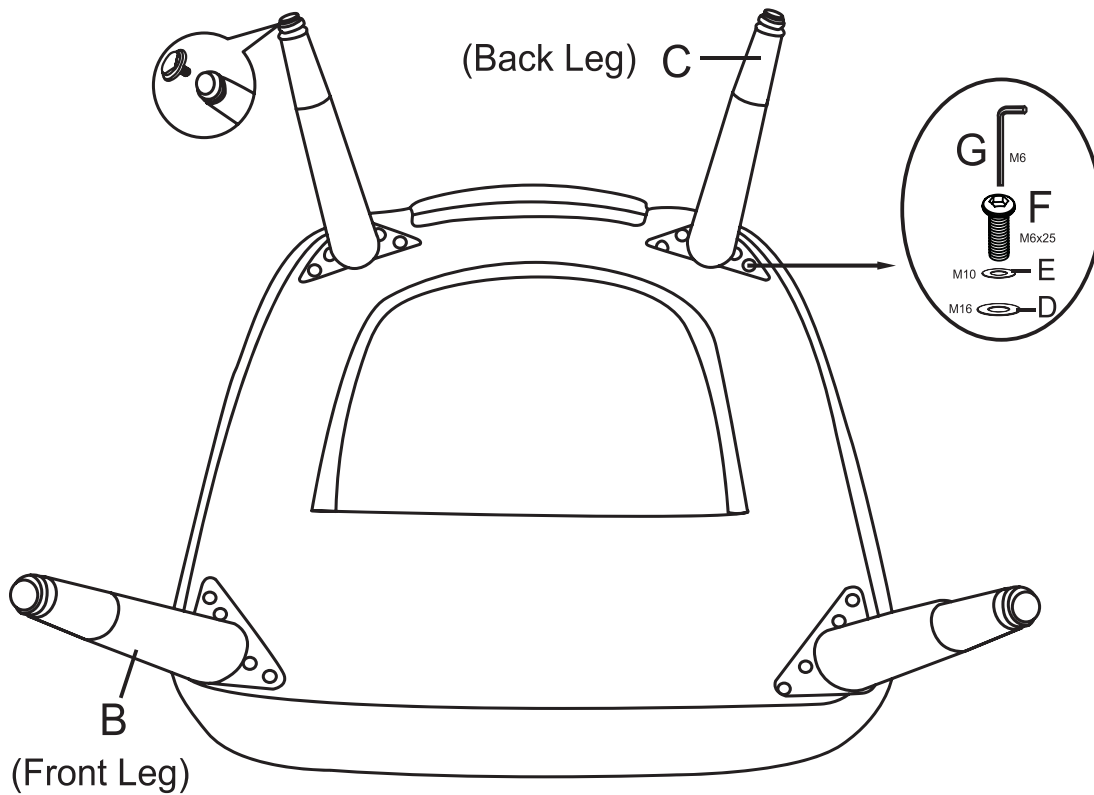
ASSEMBLY STEPS

STEP 1



- › Position the product bottom-side up as shown.
- › open the zippered compartment to remove the legs and hardware

STEP 2



- › Position the product bottom-side up and use the included hardware to assemble the legs as shown
- › You can adjust the floor glides to ensure the chair is steady

CARE & MAINTENANCE



Do not put hot items directly on furniture surface.



Do not clean furniture with harsh cleansers or polish.



Dust and pick up spills using a clean, non-colored, lint-free cloth.



Stains may be removed with mild soap solution and a damp cloth.



Do not place furniture under direct sunlight.



Do not place furniture near heating or cooling vents.



Do not write on furniture without a padded barrier to protect the surface.



Do not place furniture outside, for indoor use only.