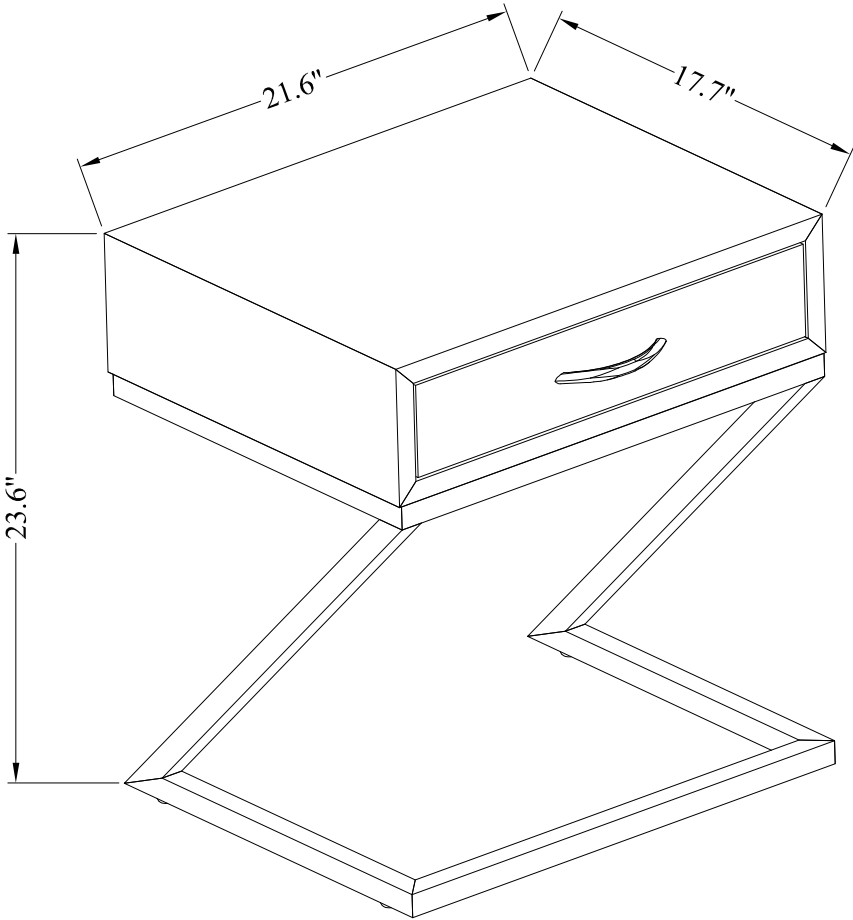


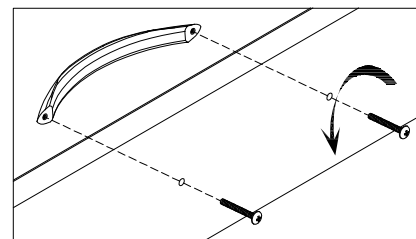
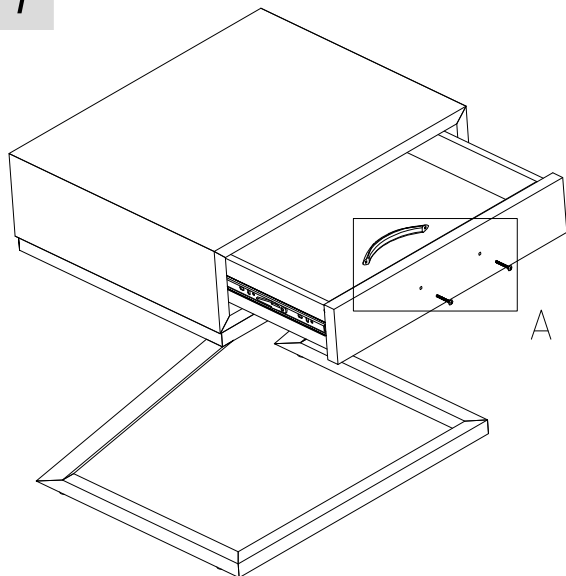
# MASON

## ASSEMBLY INSTRUCTIONS



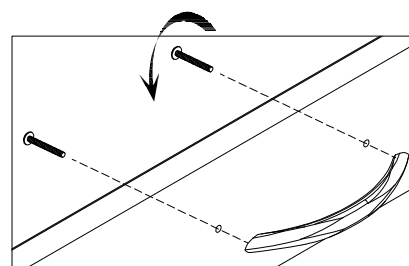
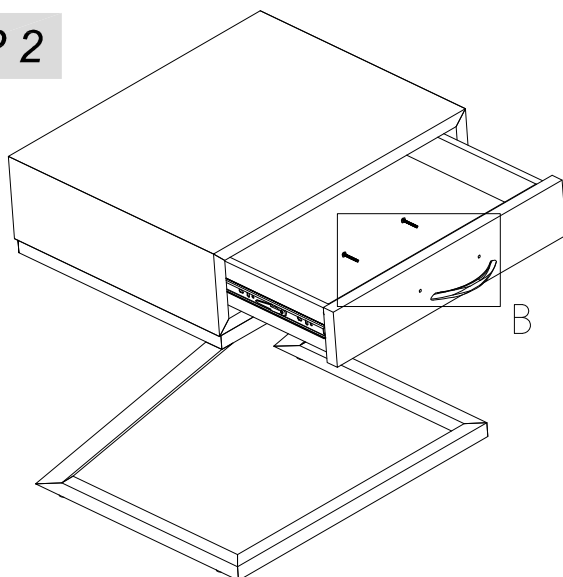
# ASSEMBLY STEPS

## STEP 1



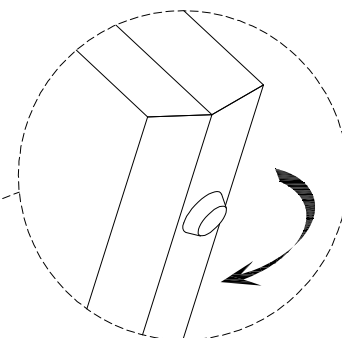
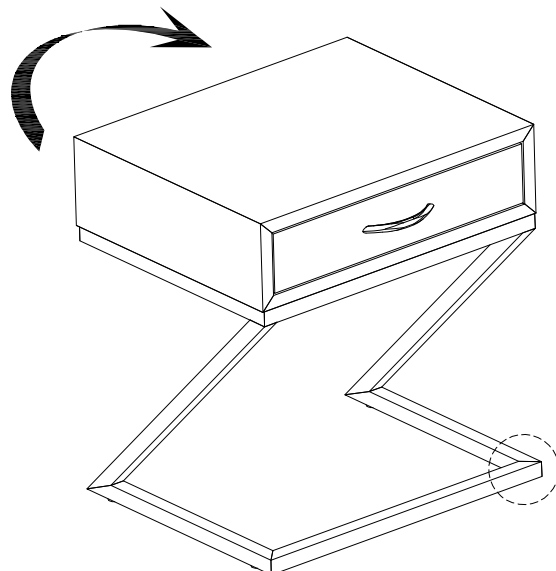
A (2:1)

## STEP 2



B (2:1)

## STEP 3



Adjust leveler as needed