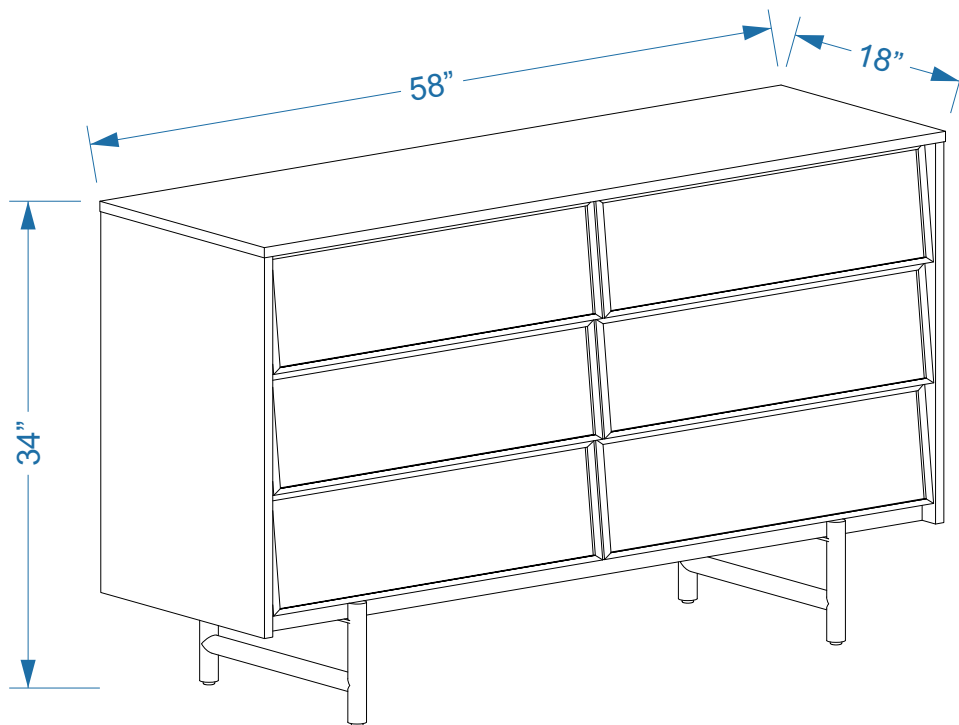


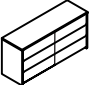
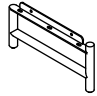
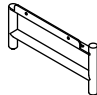
AMARI WOODEN DRESSER

AMARI


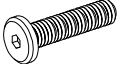

ASSEMBLY INSTRUCTIONS



PARTS LIST

LABEL	PICTURE	DESCRIPTION	QTY
A		CHEST	1
B		LEFT LEG	1
C		RIGHT LEG	1

HARDWARE

LABEL	PICTURE	DESCRIPTION	QTY
D		WASHER Ø16xØ6x2mm	10
E		SCREW M6X20	10
F		WRENCH M4X60	1

BEFORE BEGINNING ASSEMBLY:



Read instructions cover to cover



Have two adults on hand for assembly



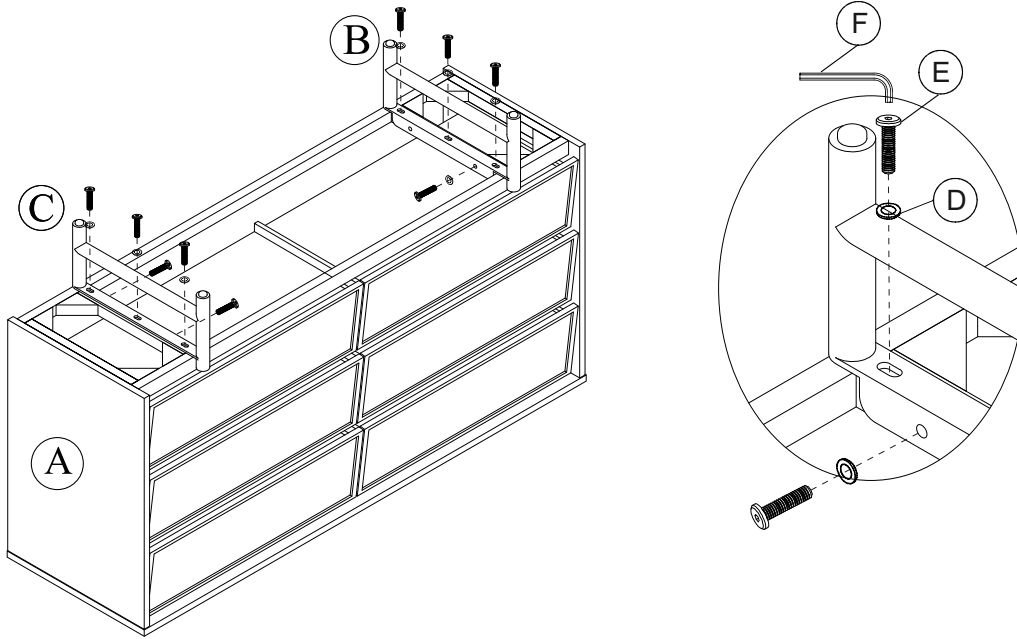
Do NOT assemble on flooring or carpet. Assemble on a clean non-marring surface (ex: packing foam)



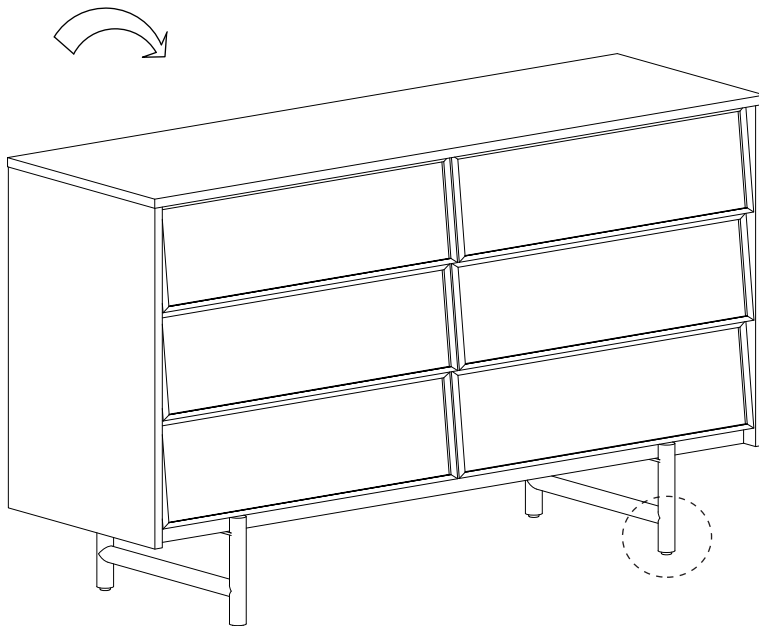
Save all packaging until assembly is completed

ASSEMBLY STEPS

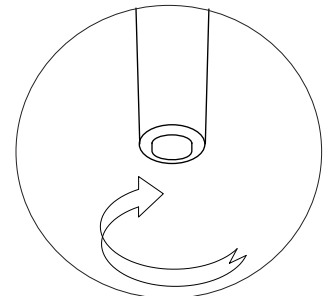
STEP 1



STEP 2



Adjust leveler (if case of need)



CARE & MAINTENANCE



Do not put hot items directly on furniture surface.



Do not clean furniture with harsh cleansers or polish



Dust and wipe up spills using a clean, non-colored, lint-free cloth.



Stains may be removed with mild soap solution and a damp cloth.



Do not place furniture under direct sunlight.



Do not place furniture near heating or cooling vents.



Do not write on furniture without a padded barrier to protect the surface.



Do not place furniture outside, for indoor use only.

**"Need a part? Call TOV at 516-888-3355 or
email service@tovfurniture.com"**