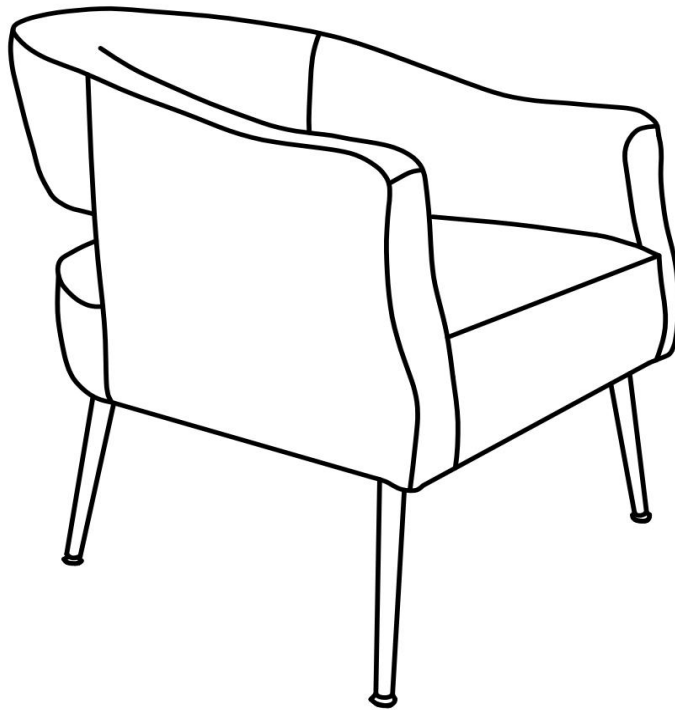


Diana Accent Chair

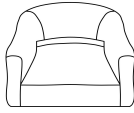

# **Diana**

---



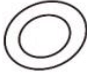

## **ASSEMBLY INSTRUCTIONS**



## PARTS LIST

LABLE	PICTURE	DESCRIPTION	QTY
A		Chair Body	1
B		Legs	4

## HARDWARE

LABLE	PICTURE	DESCRIPTION	QTY
C		Wrench	1
D		Screw	12
E		Metal Gasket	12
F		Spring Washer	12

### BEFORE BEGINNING ASSEMBLY:



*Read instructions cover to cover*



*Have two adults on hand for assembly*



*DO NOT assemble on flooring or carpet. Assemble on a clean non-marring surface(ex: packing foam)*

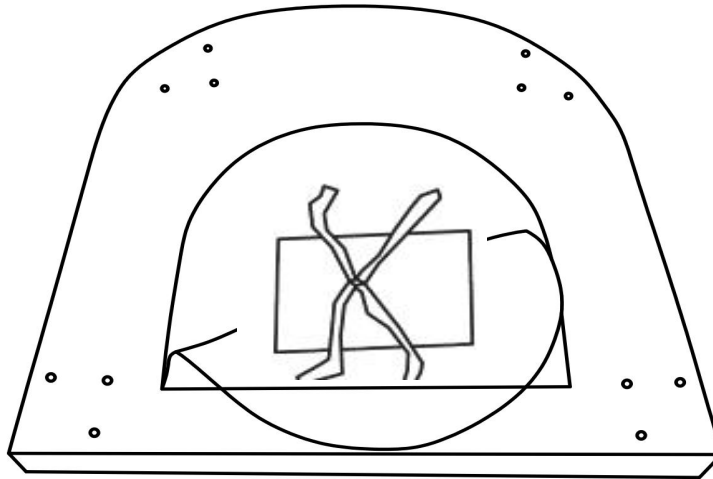


*Save all packaging until assembly is completed*

*Need a part? Call TOV at 516-888-3355 or email [service@tovfurniture.com](mailto:service@tovfurniture.com)*

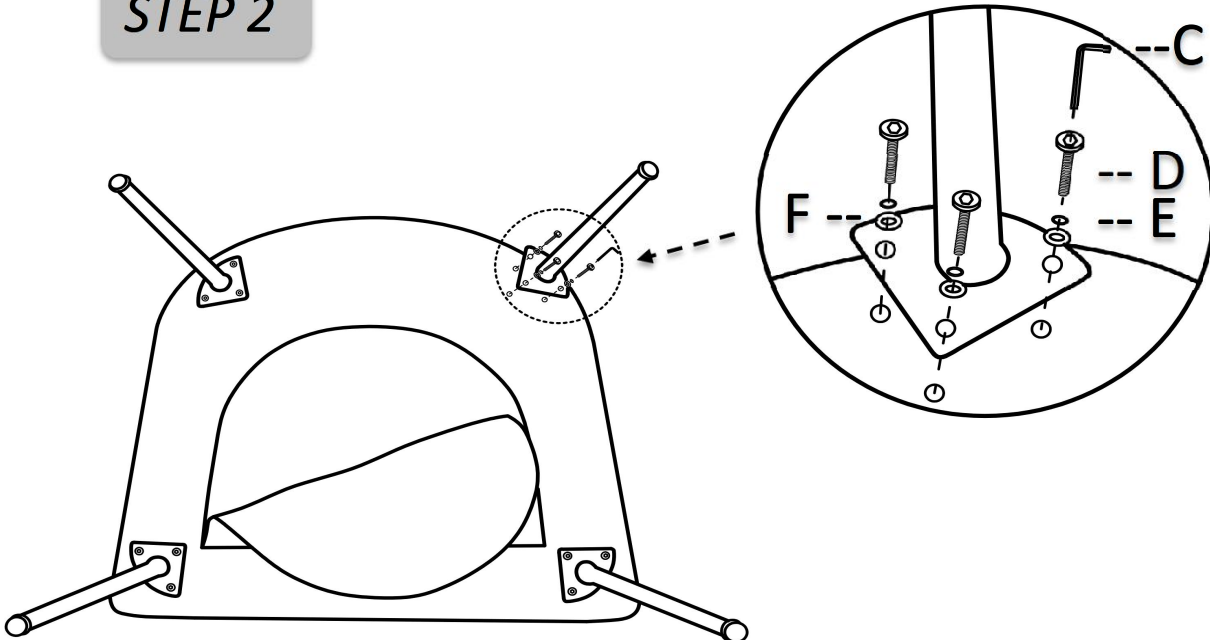
# ASSEMBLY STEPS

## STEP 1



> Position the product as shown and remove the legs and hardware from the zippered compartment.

## STEP 2



> Position the legs as shown and use wrench to tighten screws clockwise into the pre-drilled holes to attach the leg. Then assembly complete.

## CARE & MAINTENANCE



Do not put hot items directly on furniture surface



Do not clean furniture with harsh cleansers or polish.



Dust and pick up spills using a clean, non-colored, lint-free cloth.



Stains may be removed with a mild soap solution and a damp cloth.



Do not place furniture under direct sunlight.



Do not place furniture near heating or cooling vents.



Do not write on furniture without a padded barrier to protect the surface.



Do not place furniture outside, for indoor use only.