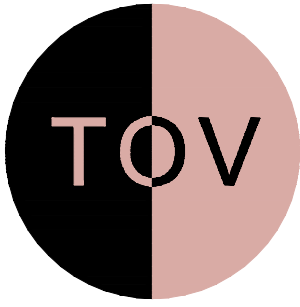


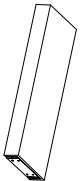
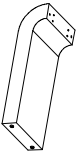

CONSOLE TABLE







CONSOLE TABLE

ASSEMBLY INSTRUCTIONS

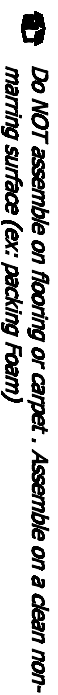
PARTS LIST

LABEL	PICTURE	DESCRIPTION	QTY
A		BODY	1
B1		LEGS LEFT	1
B2		LEGS RIGHT	1

HARDWARE

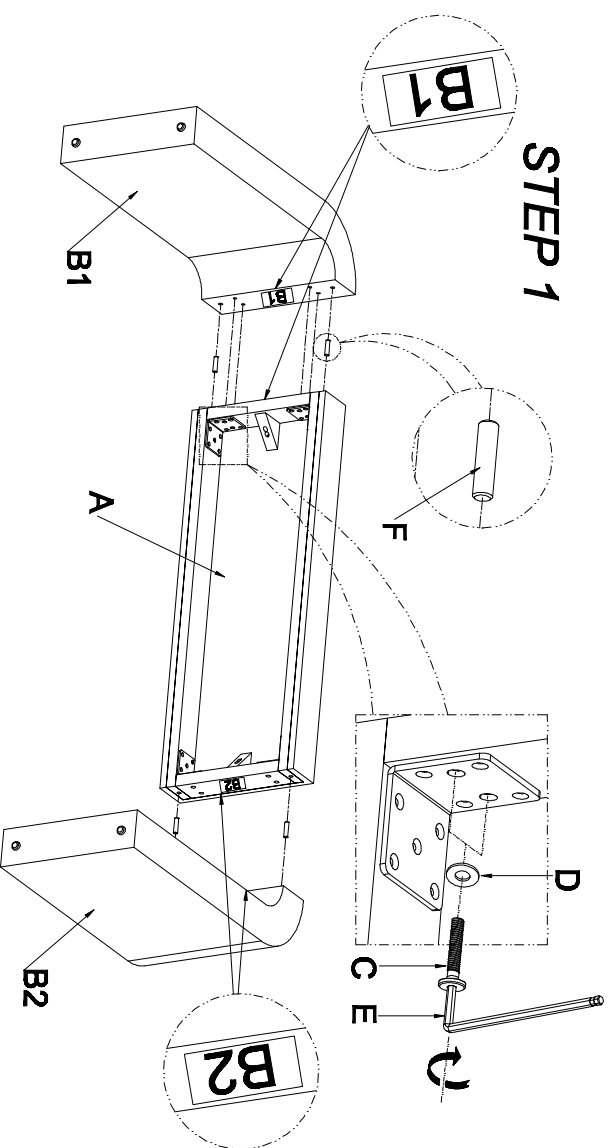
LABEL	PICTURE	DESCRIPTION	QTY
C		Bolt M8x70	8
D		Washer Ø19xØ8x1mm	8
E		Wrench M4x60	1
F		Wooden dowel pin Ø10x 40mm	4

BEFORE BEGINNING ASSEMBLY:



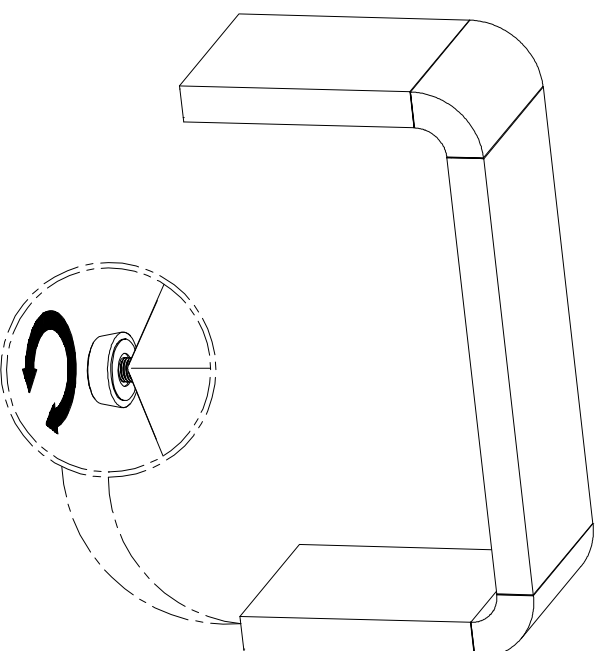
ASSEMBLY STEPS

STEP 1



Position the product on its bottom as shown

STEP 2



CARE & MAINTENANCE



Do not put hot items directly on furniture surface.



Do not clean furniture with harsh cleansers or polish



Dust and wipe up spills using a clean, non-colored, lint-free cloth.



Stains may be removed with a mild soap solution and a damp cloth.



Do not place furniture under direct sunlight.



Do not place furniture near heating or cooling vents.



Do not write on furniture without a padded barrier to protect the surface.



Do not place furniture outside, for indoor use only.

**"Need a part? Call TOV at 516-888-3355 or
email service@tovfurniture.com"**