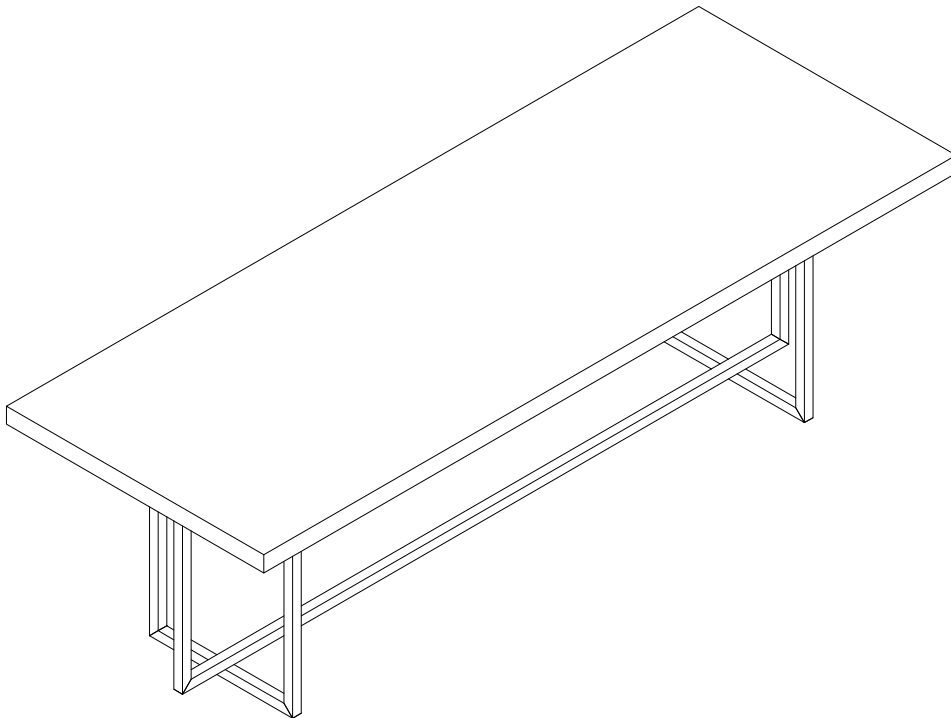


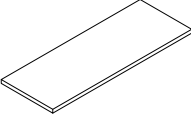
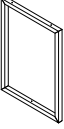
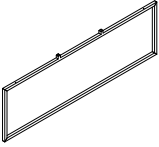
MASON DINING TABLE

MASON

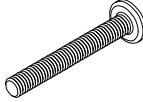

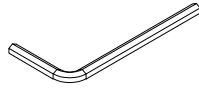
ASSEMBLY INSTRUCTIONS



PARTS LIST

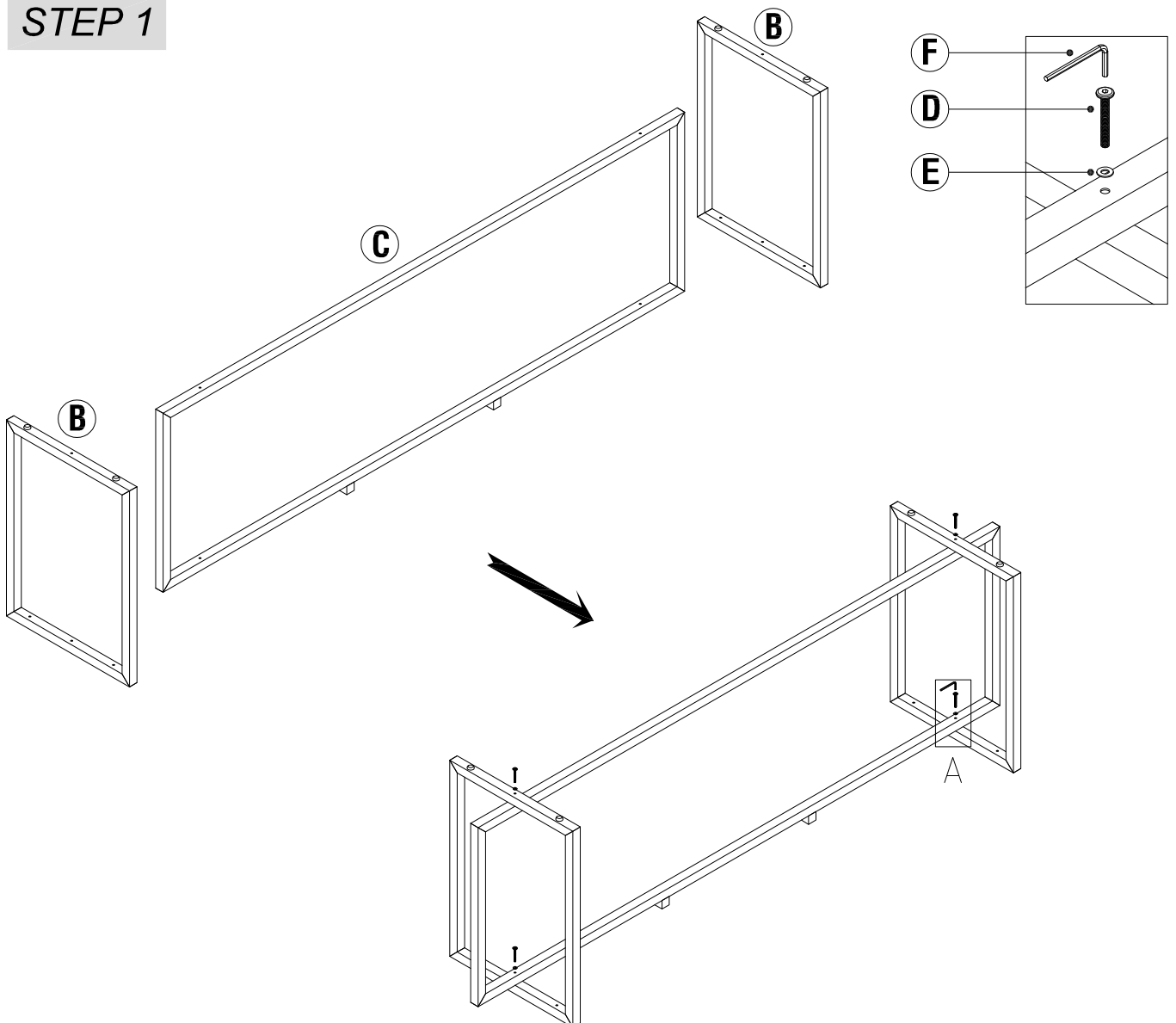
LABEL	PICTURE	DESCRIPTION	QTY
A		TOP	1
B		IRON LEGS 1	2
C		IRON LEG 2	1

HARDWARE

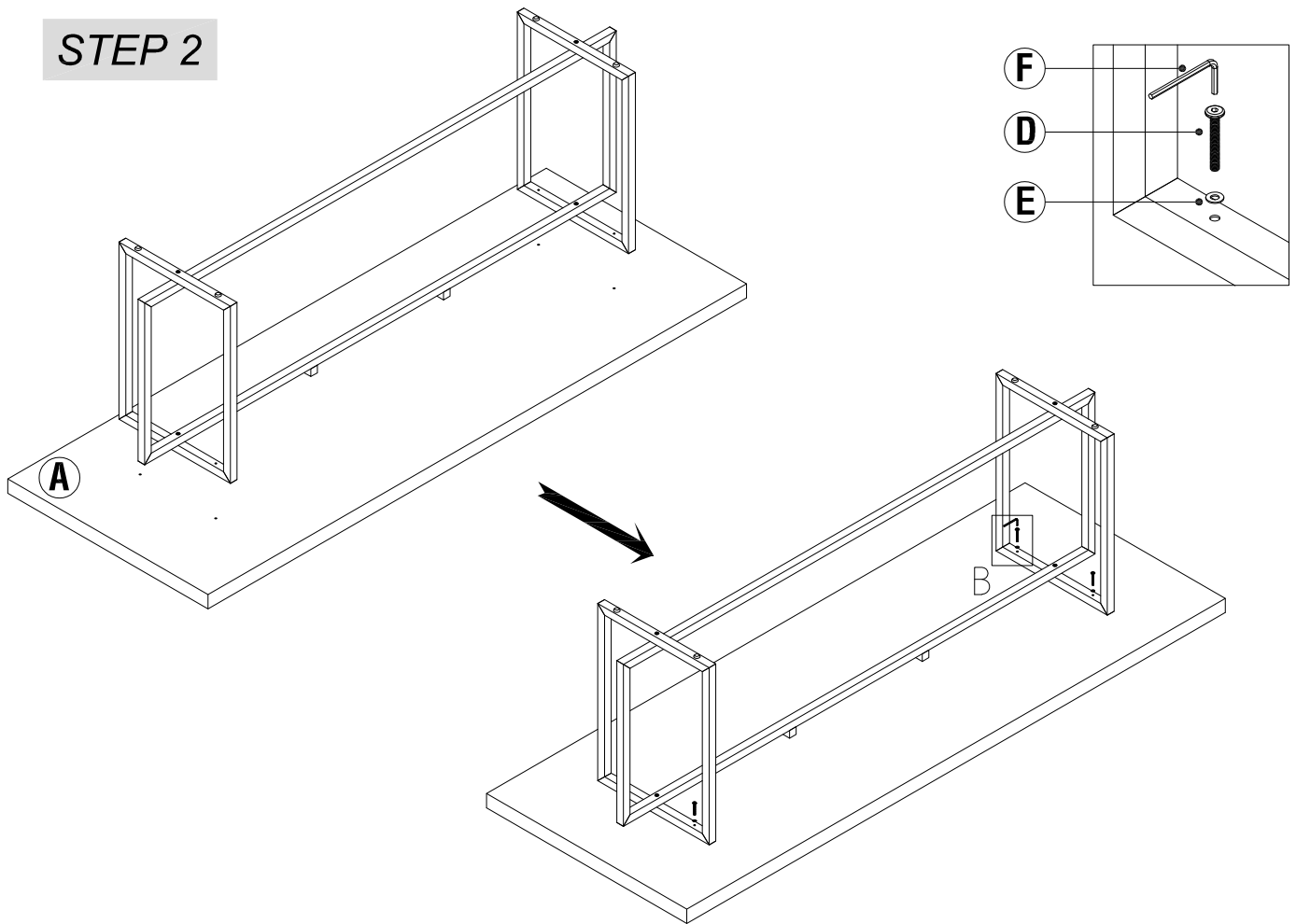
LABEL	PICTURE	DESCRIPTION	QTY
D		SCREW M6x45	8
E		WASHER Ø14xØ6x1mm	8
F		WRENCH M4x60	1

ASSEMBLY STEPS

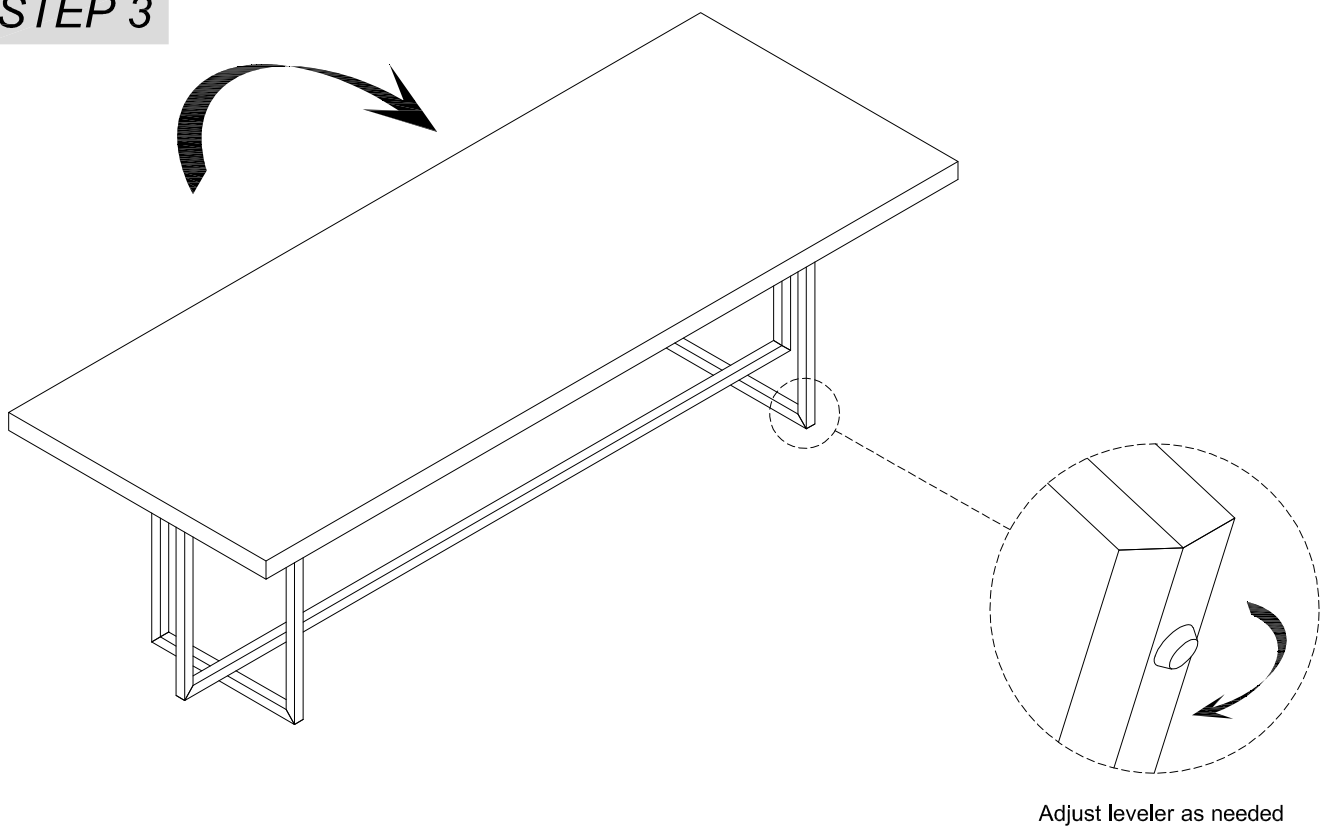
STEP 1



STEP 2



STEP 3



CARE & MAINTENANCE



Do not put hot items directly on furniture surface.



Do not clean furniture with harsh cleansers or polish



Dust and wipe up spills using a clean, non-colored, lint-free cloth.



Stains may be removed with a mild soap solution and a damp cloth.



Do not place furniture under direct sunlight.



Do not place furniture near heating or cooling vents.



Do not write on furniture without a padded barrier to protect the surface.



Do not place furniture outside, for indoor use only.

**"Need a part? Call TOV at 516-888-3355 or
email service@tovfurniture.com"**