

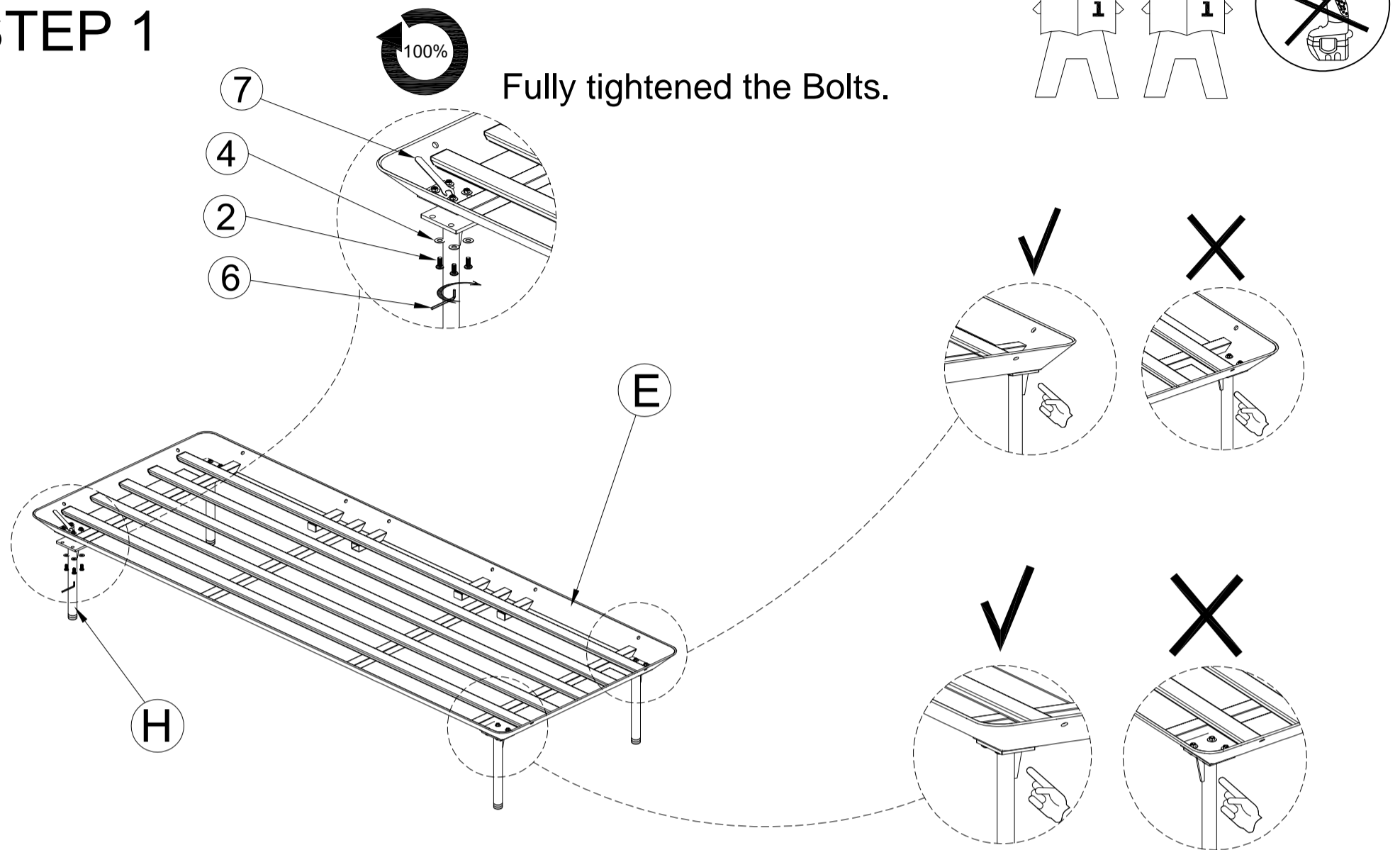




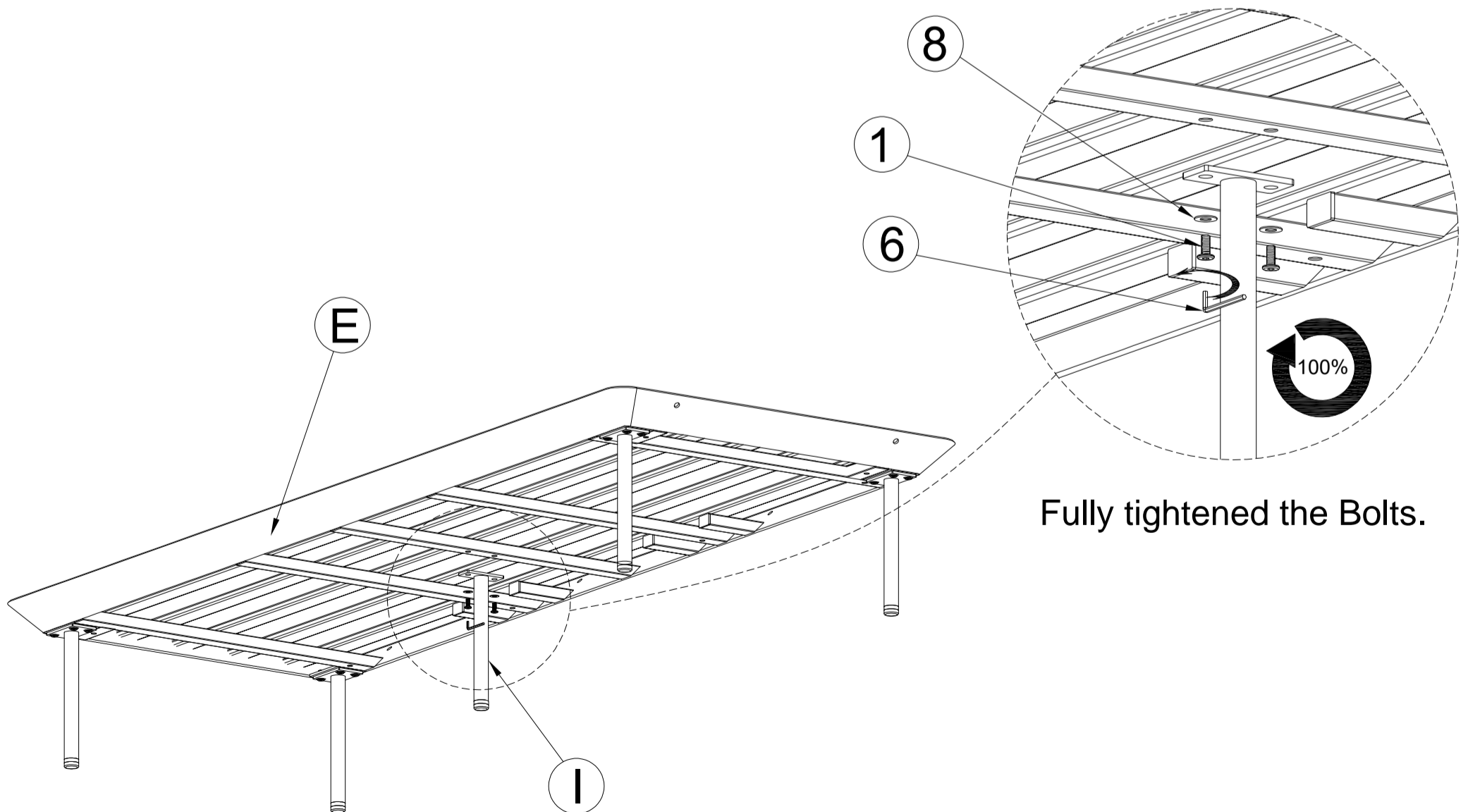


# ASSEMBLY STEPS

## STEP 1

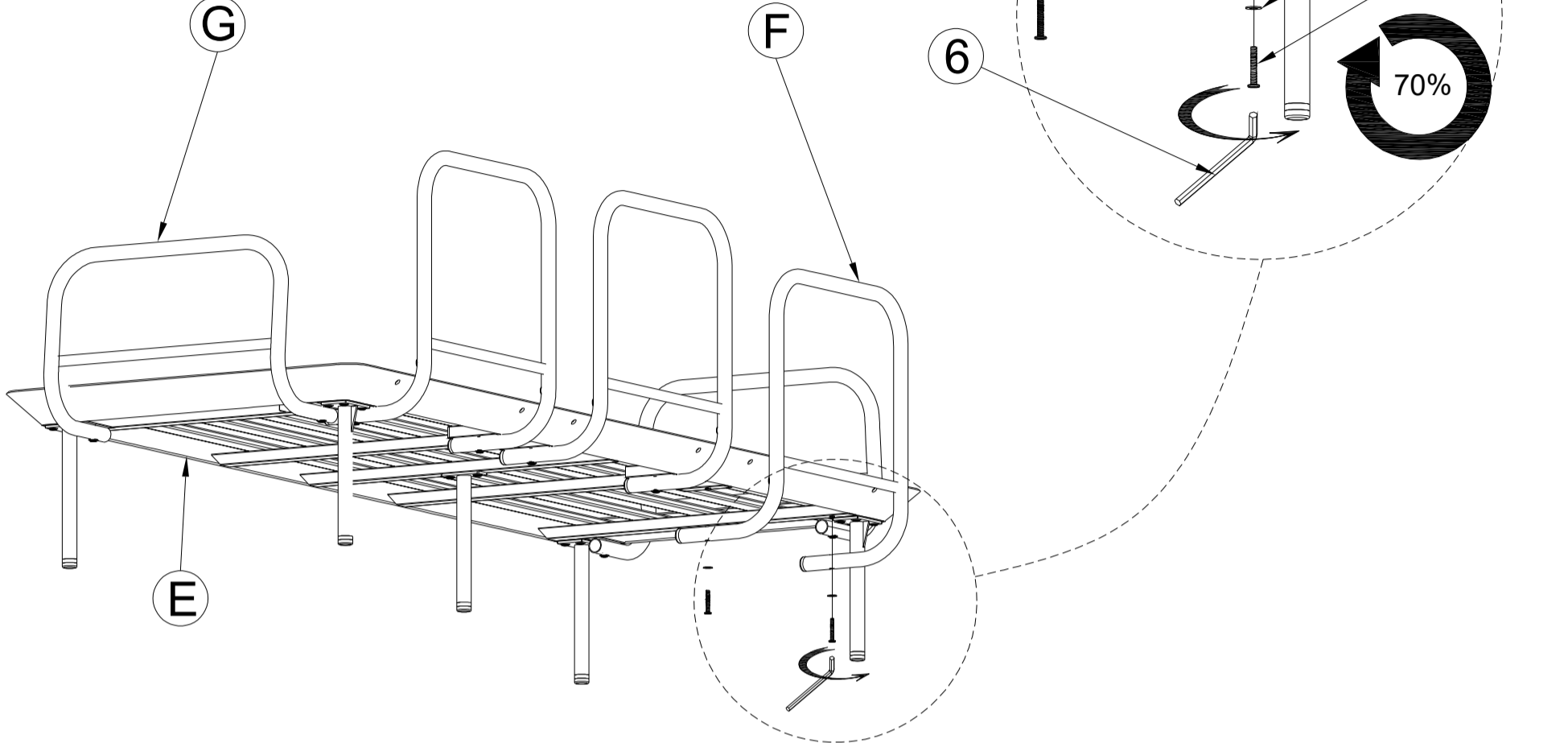


## STEP 2



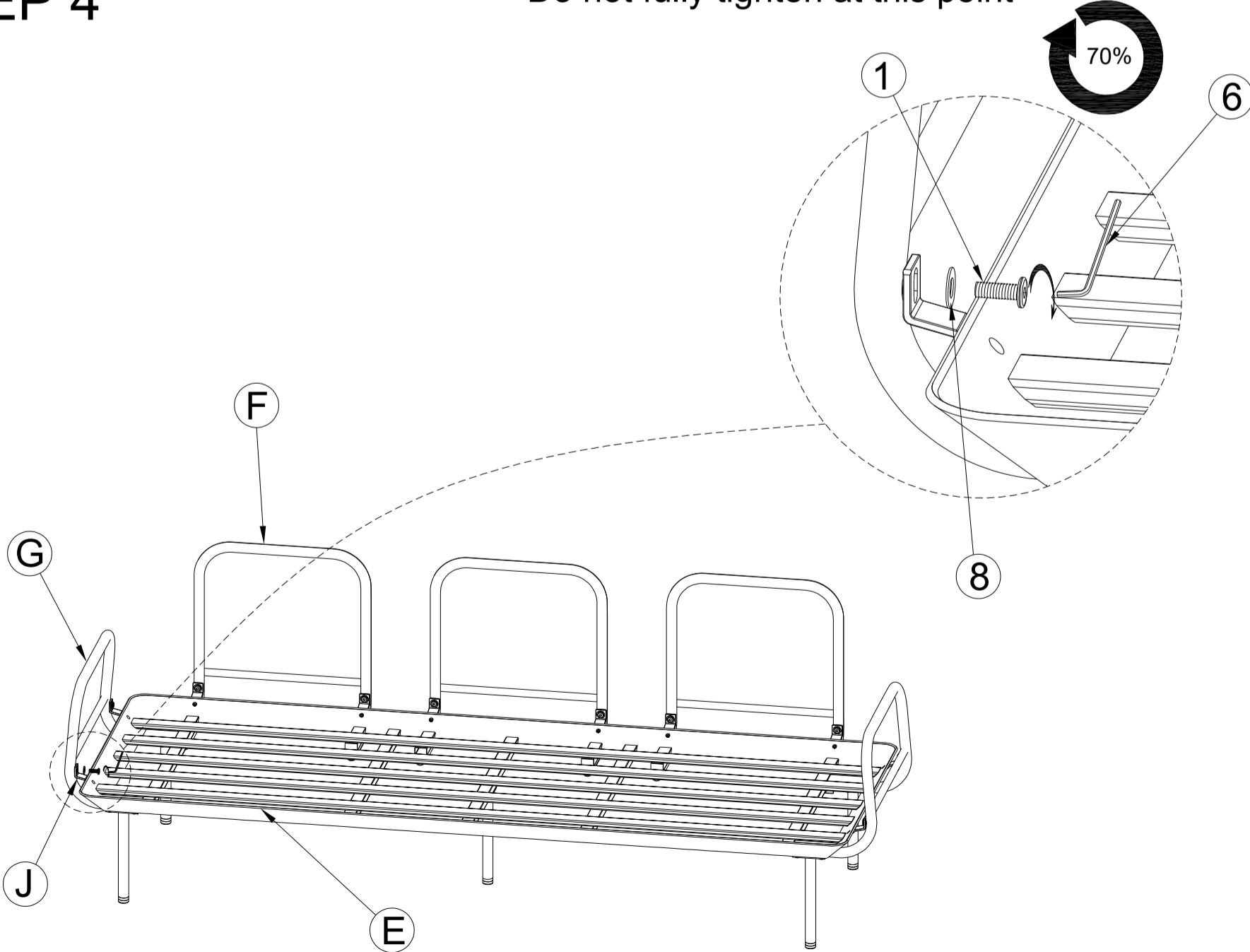
# STEP 3

Do not fully tighten at this point



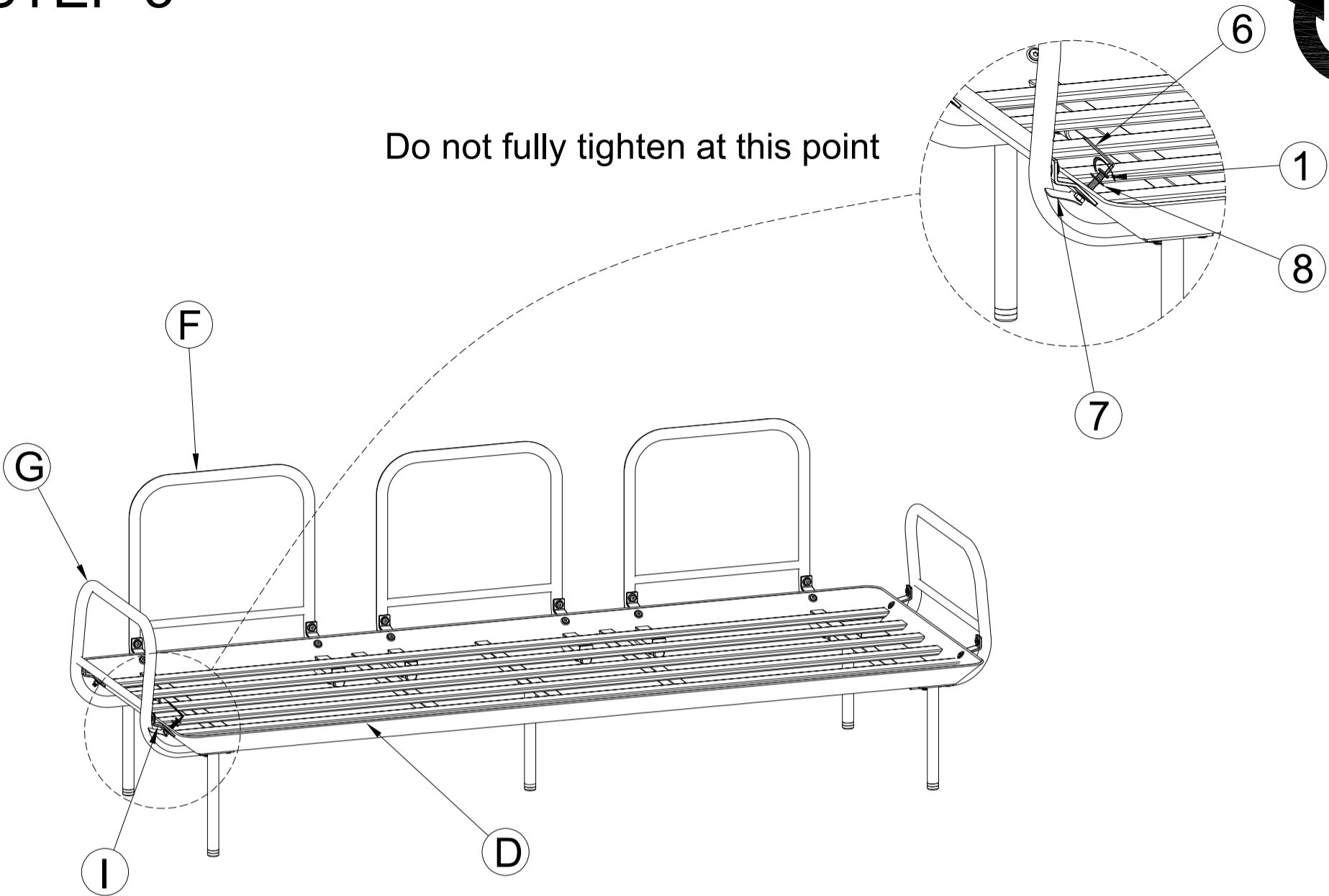
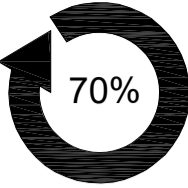
# STEP 4

Do not fully tighten at this point



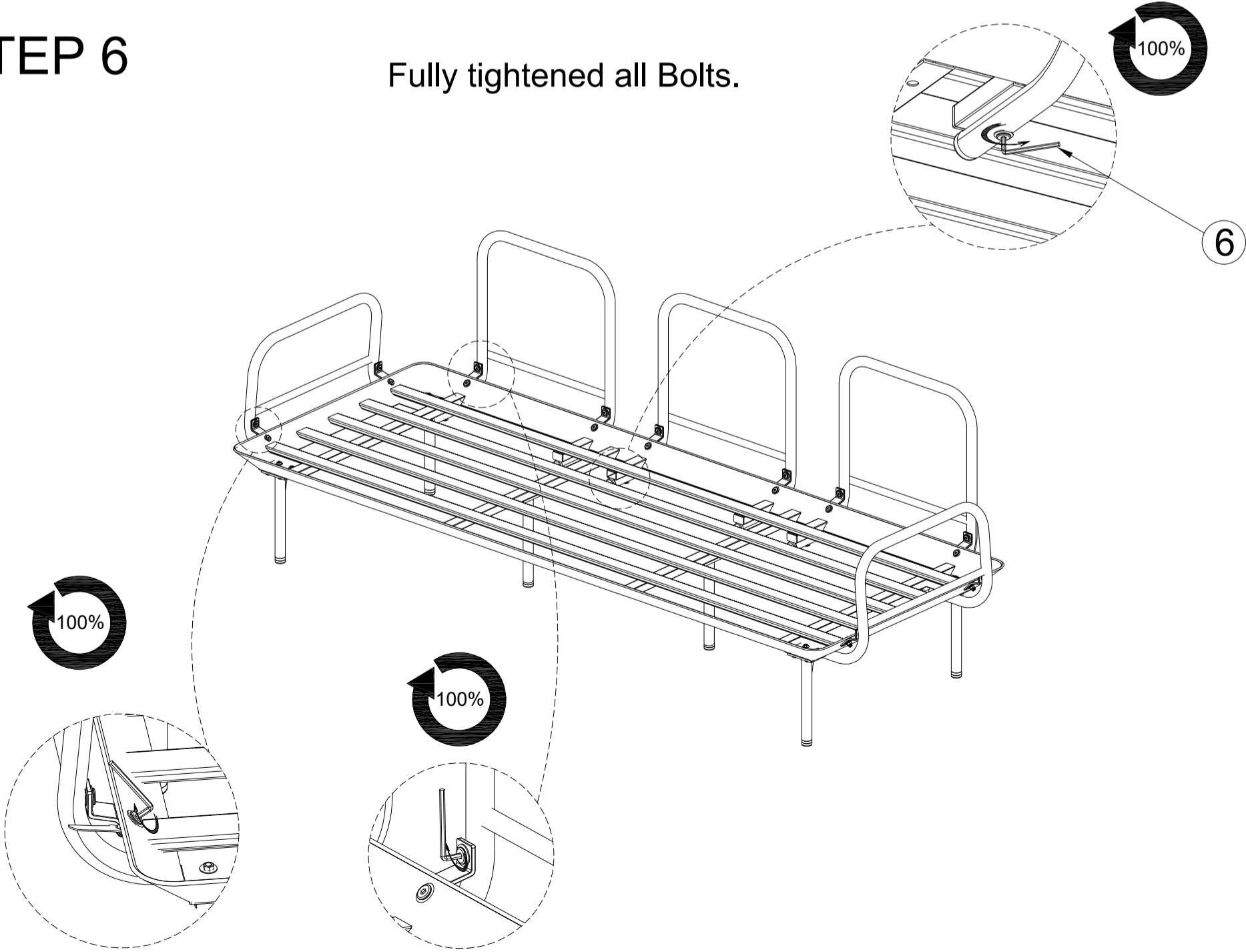
# STEP 5

Do not fully tighten at this point

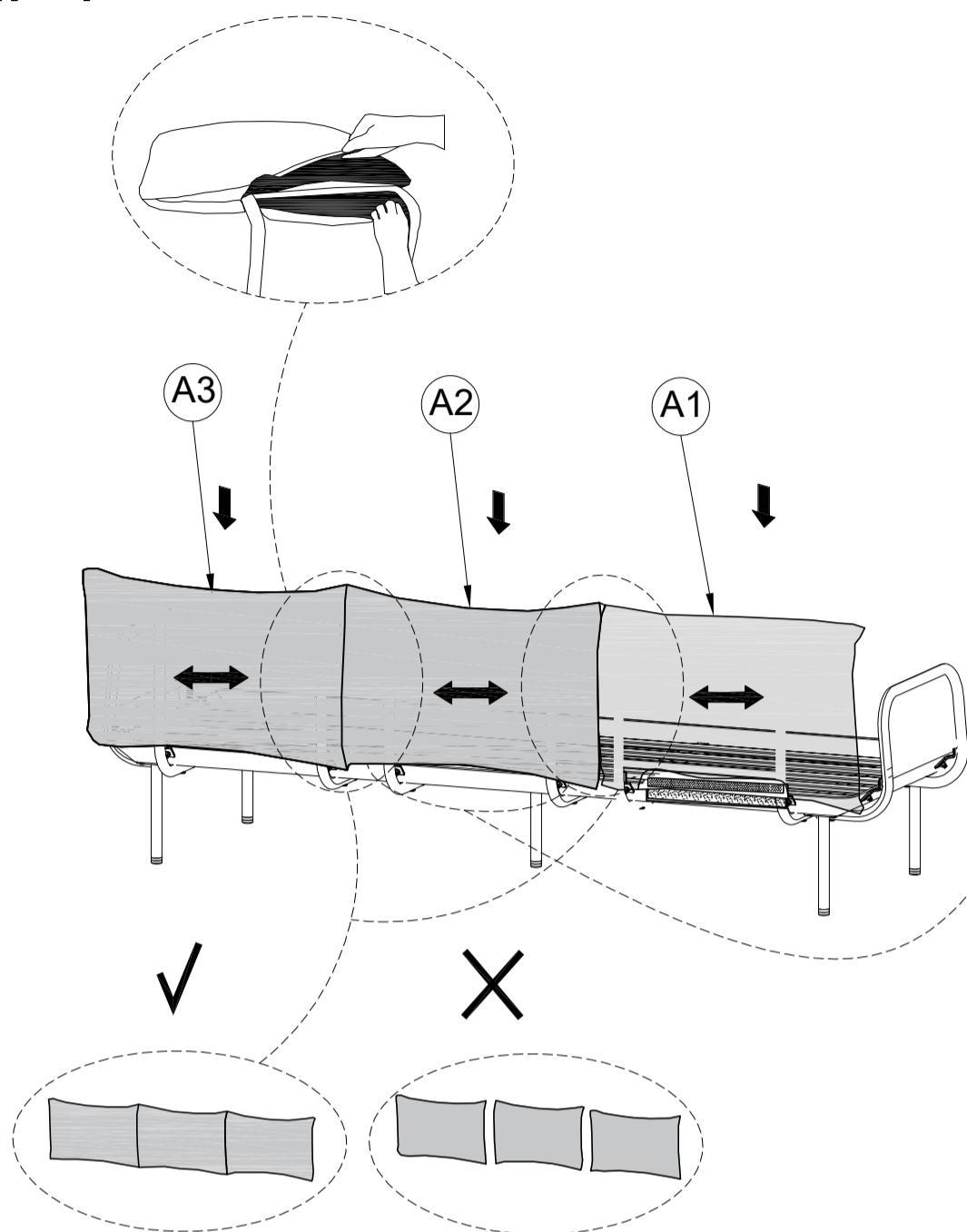


# STEP 6

Fully tightened all Bolts.

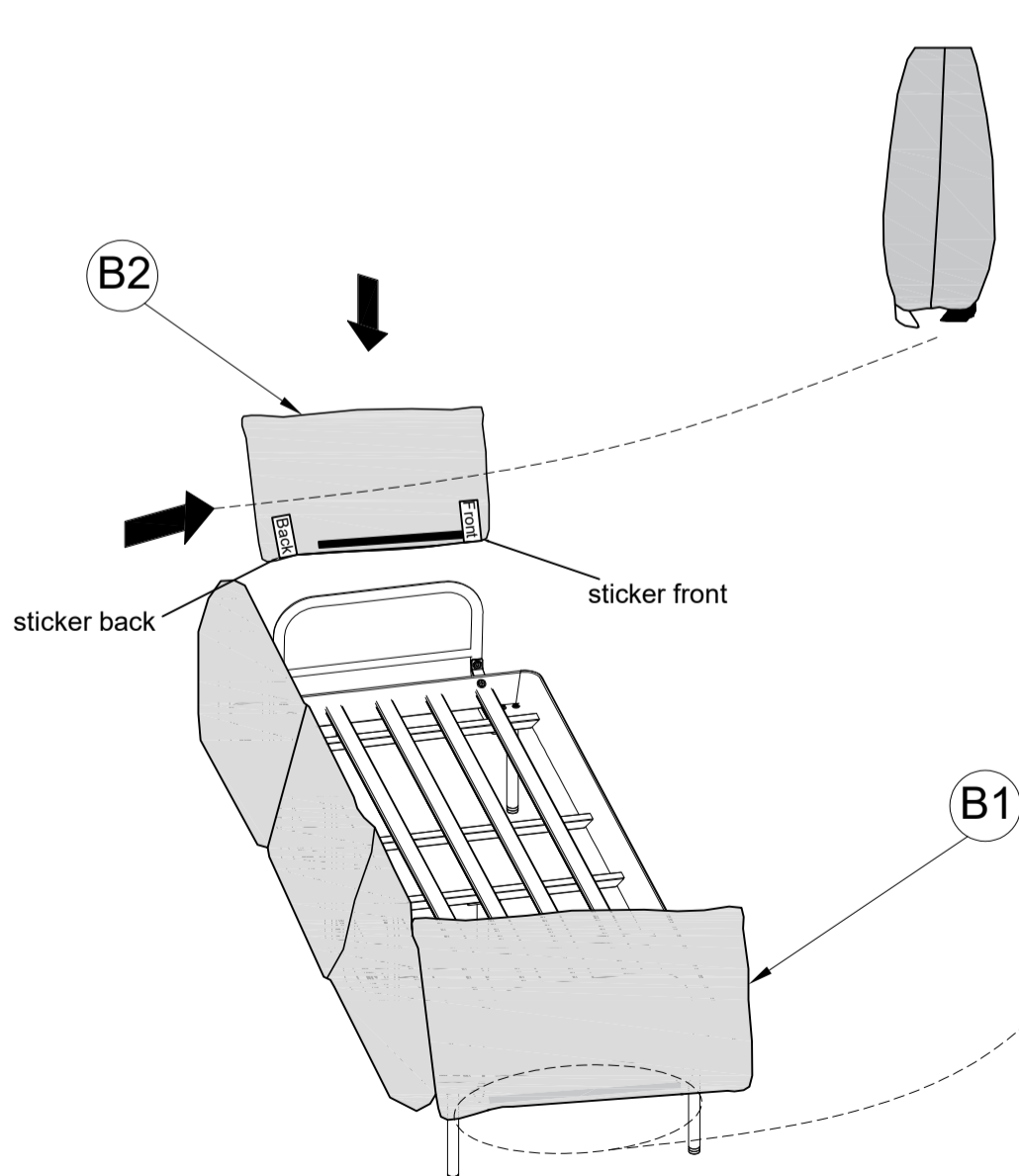


# STEP 7



Affix the back cushions to the frame with the built-in velcro strips

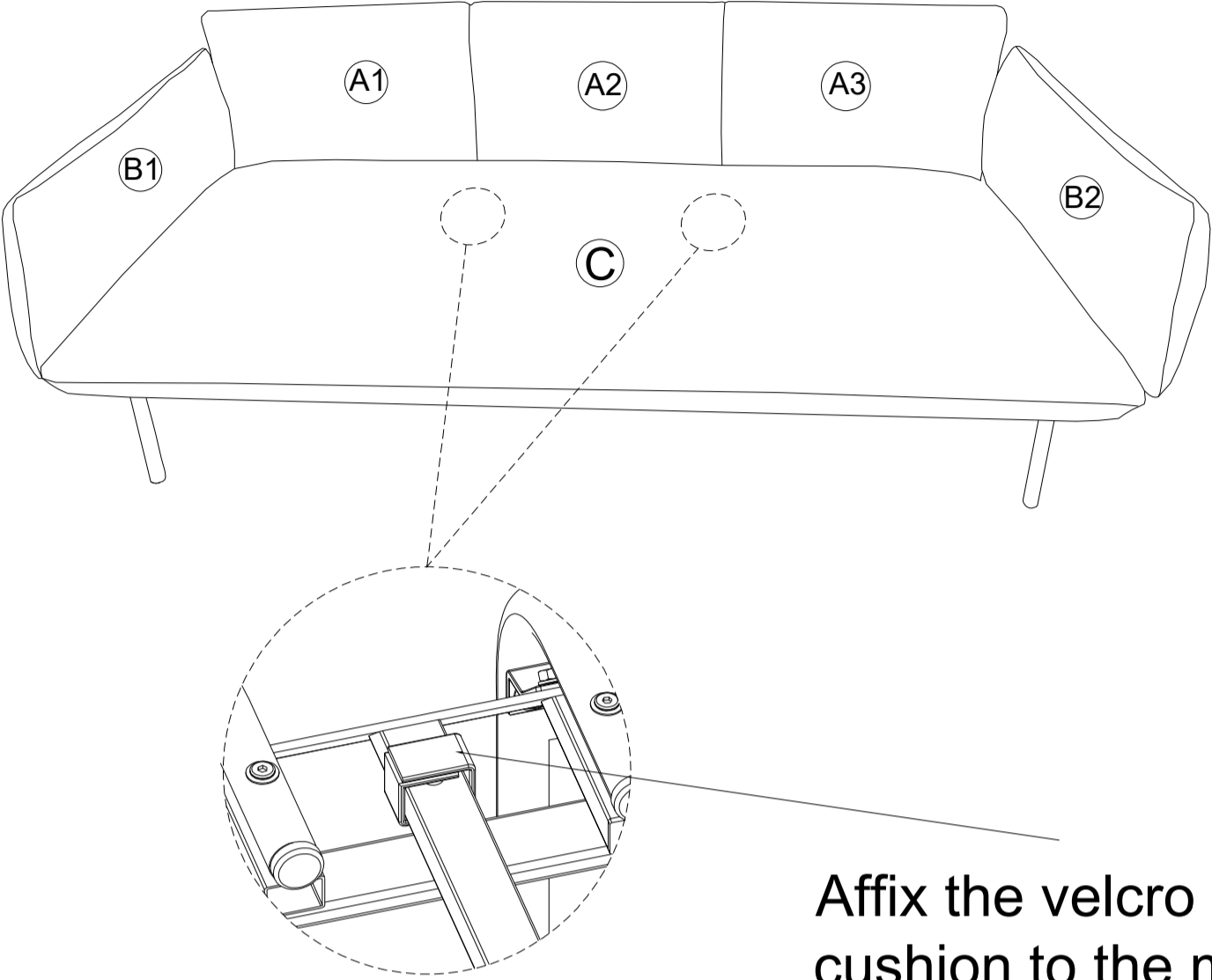
# STEP 8



Affix the armrest cushions to the frame with the built-in velcro strips

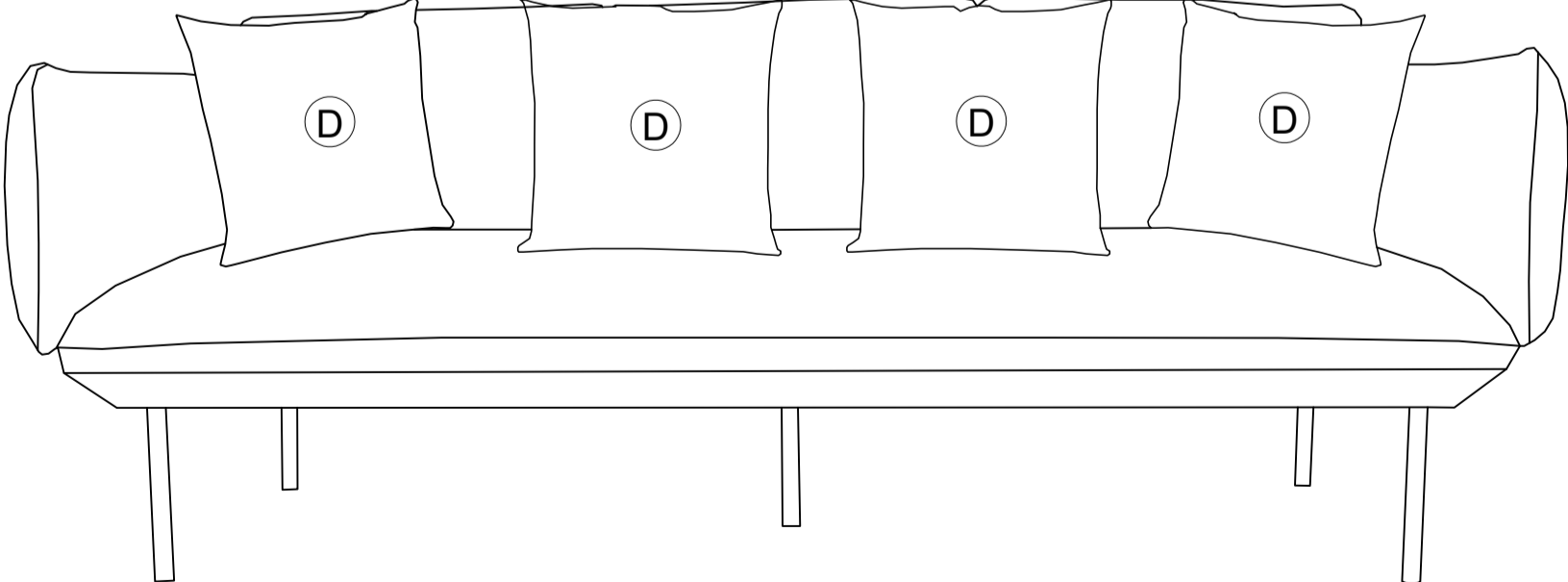
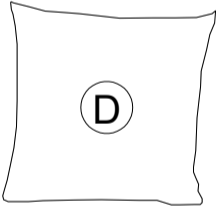


# STEP 9

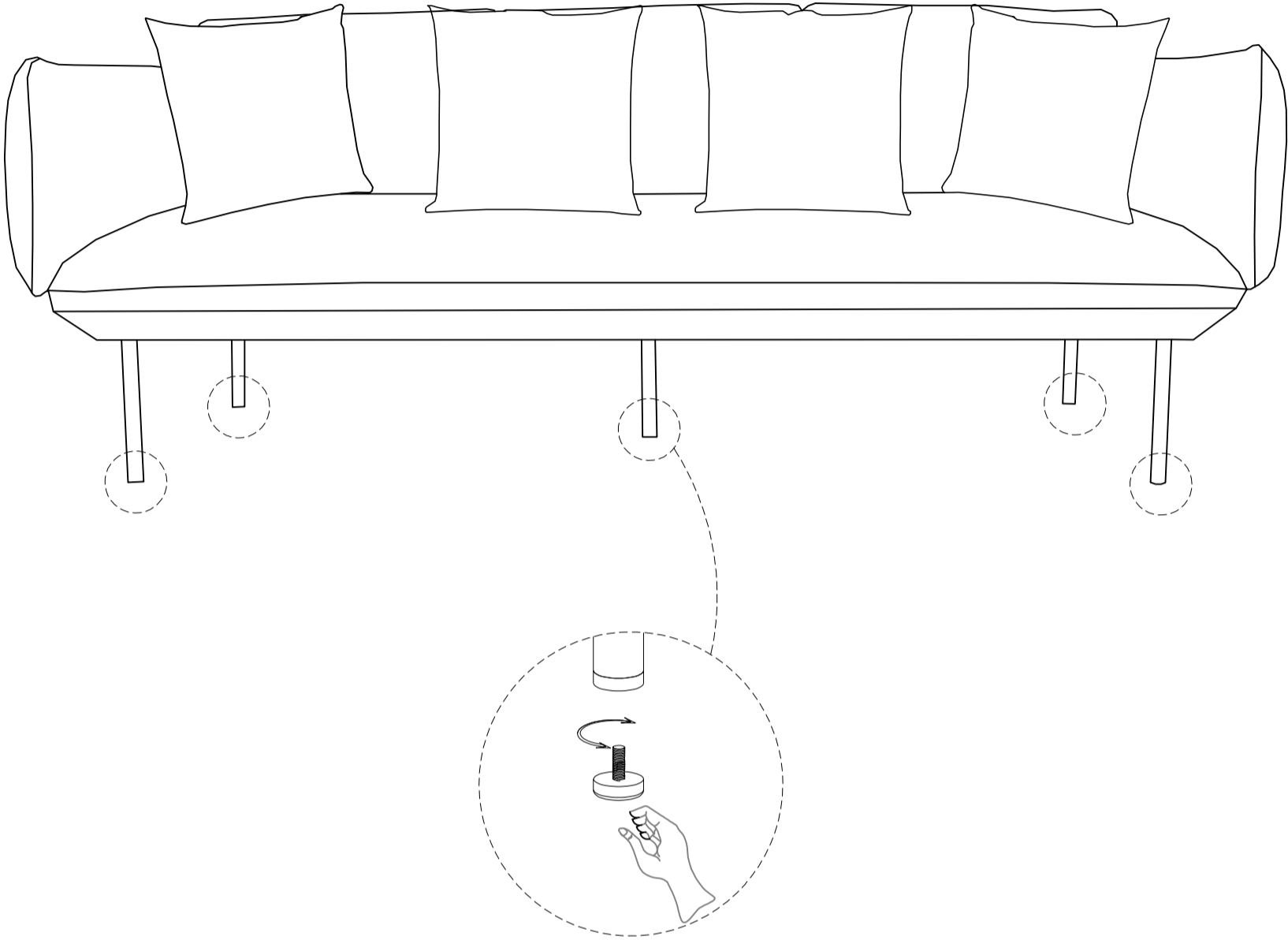


Affix the velcro straps of the seat cushion to the metal frame

# STEP 10



# STEP 11



Levelers can be adjusted as necessary to ensure stability