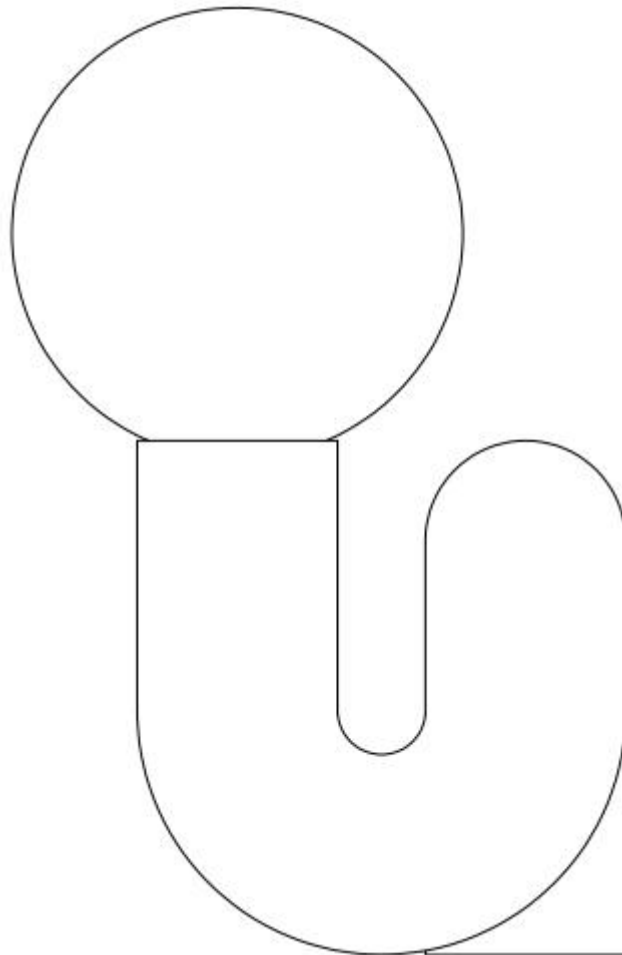






Gossip Table Lamp

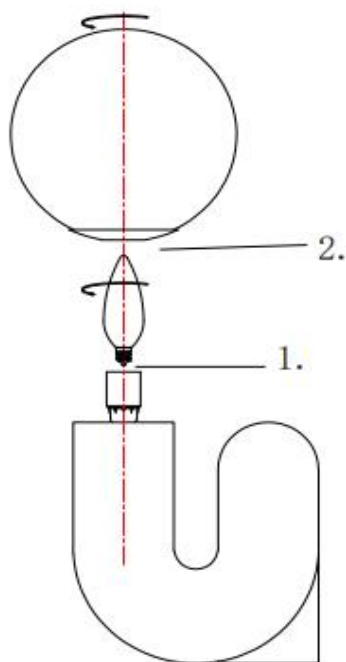
ASSEMBLY INSTRUCTIONS



PAR TS LIST

	PICTURE	DESCRIPTION	QTY
A		Shade	1
B		Lamp base	1

ASSEMBLY STEPS



STEPS

1. INSTALL THE BULB AND TIGHTEN IT.
2. PUT ON THE LAMPSHADE AND TIGHTEN IT TO THE RIGHT.

BEFORE BEGINNING ASSEMBLY :

READ INSTRUCTIONS CAREFULLY
UNPACK THE LAMP AND PUT ONTO STABLE SURFACE
THEN ASSEMBLE THE LAMP ACCORDING TO INSTRUCTIONS MANUAL

IMPORTANT SAFETY INSTRUCTIONS:

THIS PORTABLE LAMP HAS A POLARIZED PLUG (ONE BLADE IS WIDER THAN THE OTHER) AS A FEATURE TO REDUCE THE RISE OF ELECTRIC SHOCK .
THIS PLUG WILL FIT IN A POLARIZED OUTLET ONLY ONE WAY .IF THE PLUG DOES NOT FIT FULLY INTO THE OUTLET
REVERSE THE PLUG . IF IT STILL DOES NOT FIT . CONTACT A QUALIFIED ELECTRICIAN .
NEVER USE WITH AN EXTENSION CORD UNLESS PLUG CAN BE FULLY INSERTED .DO NOT ALTER THE PLUG.

Need a part? Call TOV at **516-888-3355** or email service@tovfurniture.com