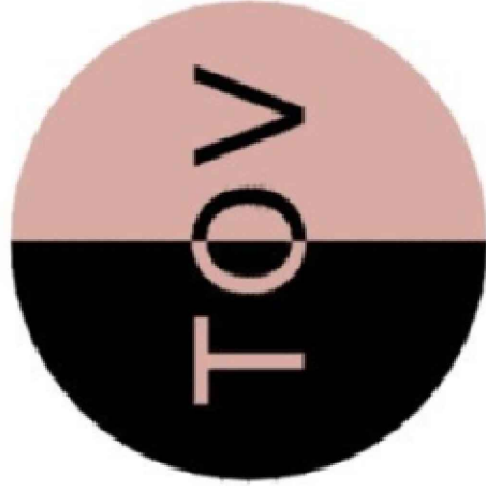
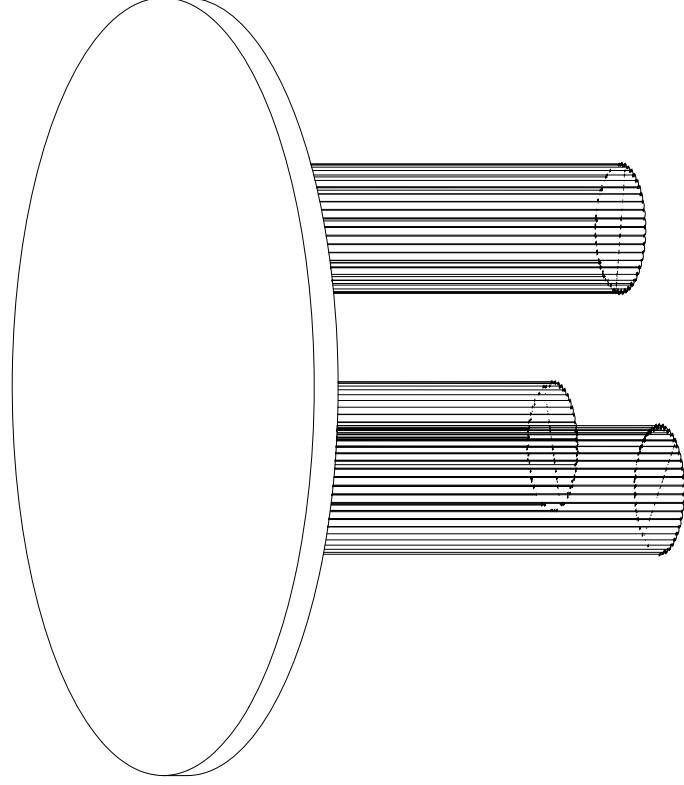



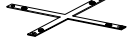
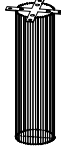
**PATTI TRAVERTINE TEXTURED INDOOR /  
OUTDOOR ROUND DINING TABLE**







**PATTI**  
**ASSEMBLY INSTRUCTIONS**



## PARTS LIST

LABEL	PICTURE	DESCRIPTION	QTY
A		TOP	1
B		CONNECTION PIECE	3
C		LEG	3

## HARDWARE

LABEL	PICTURE	DESCRIPTION	QTY
D		WASHER Ø22xØ8x2mm	12
E		SCREW M8x15	12
F		SCREW M8x25	12
G		WRENCH M4x60	1

### BEFORE BEGINNING ASSEMBLY:



Read instructions cover to cover



Have two adults on hand for assembly



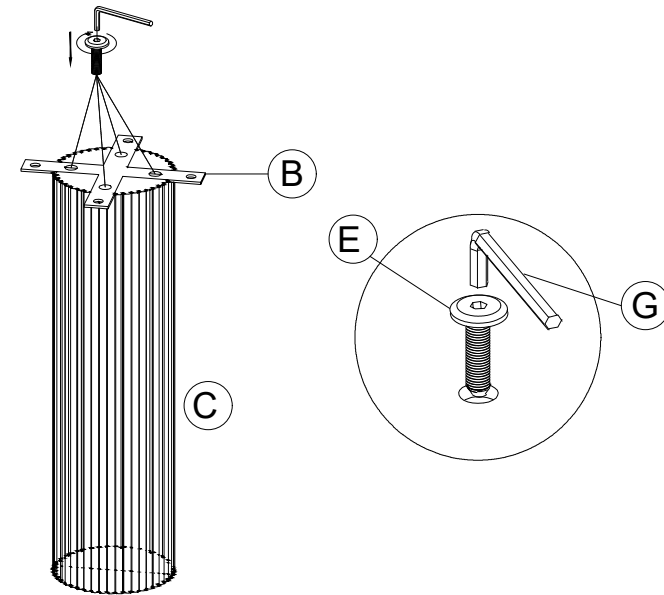
Do NOT assemble on flooring or carpet. Assemble on a clean non-marring surface (ex: packing foam)



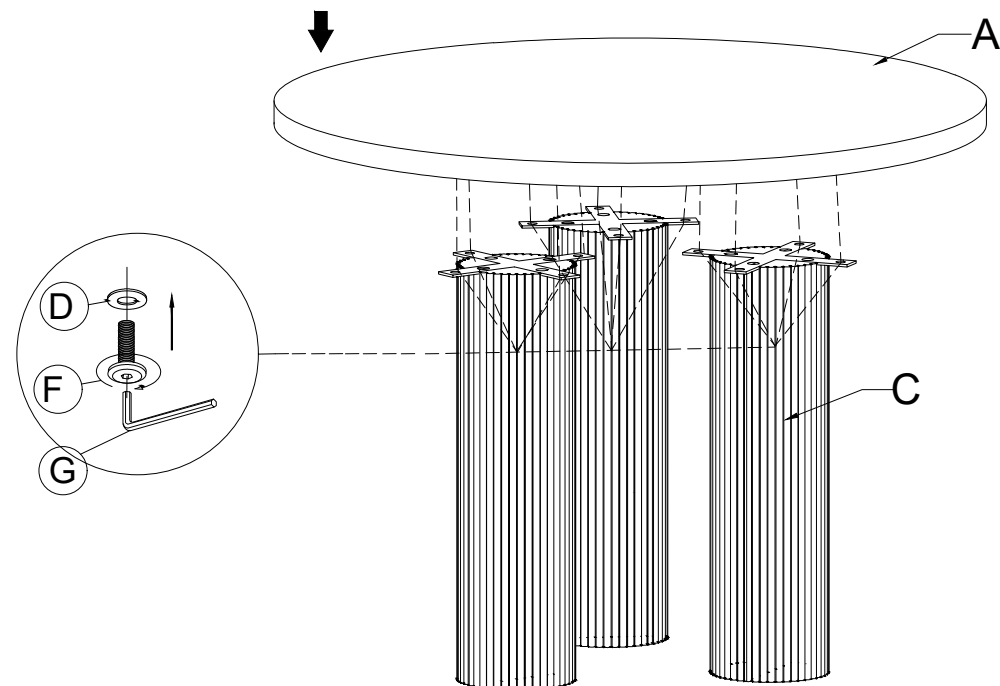
Save all packaging until assembly is completed

## ASSEMBLY STEPS

### STEP 1



### STEP 2



## CARE & MAINTENANCE



Do not put hot items directly on furniture surface.



Do not clean furniture with harsh cleansers or polish



Dust and wipe up spills using a clean, non-colored, lint-free cloth.



Stains may be removed with a mild soap solution and a damp cloth.



Do not place furniture under direct sunlight.



Do not place furniture near heating or cooling vents.



Do not write on furniture without a padded barrier to protect the surface.



Do not place furniture outside, for indoor use only.

"Need a part? Call TOV at 516-888-3355 or  
email [service@tovfurniture.com](mailto:service@tovfurniture.com)"