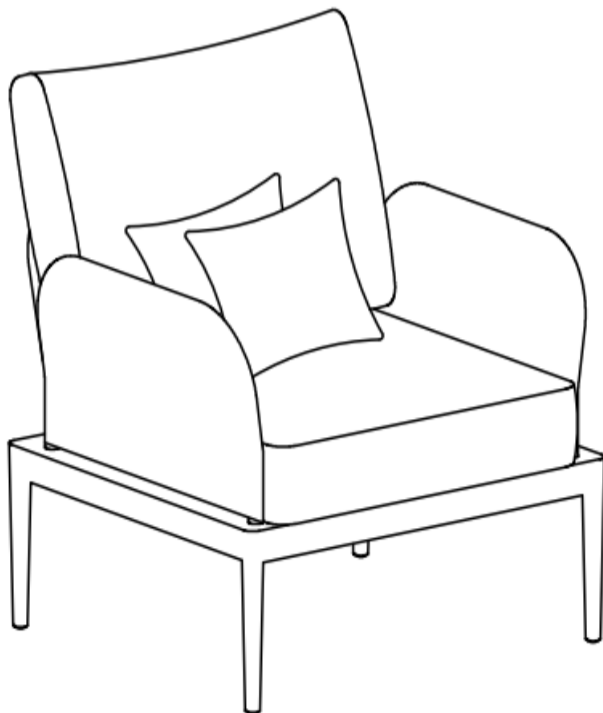





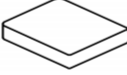


Kapri Outdoor Armchair

KAPRI




Assembly Instructions



PARTS LIST

LABEL	PICTURE	DESCRIPTION	QTY
A		Back Frame	1
B		Seat Frame	1
C		Arm Frame	2
D		Seat Cushion	1
E		Back Cushion	1
F		Throw Pillow	2

HARDWARE LIST

LABEL	PICTURE	DESCRIPTION	QTY
G		Bolt M8*20	6
H		Washer	6
I		Allen Key	1

BEFORE BEGINNING ASSEMBLY:



Read instructions cover to cover



Have two adults on hand for assembly



Do NOT assemble on flooring or carpet. Assemble on a clean non-marring surface (ex: packing foam)

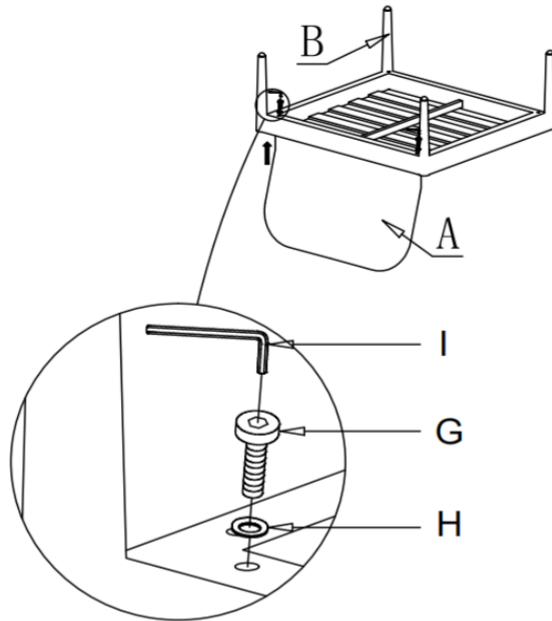


Save all packaging until assembly is completed

Need a part? Call TOV at 516-888-3355 or email service@tovfurniture.com

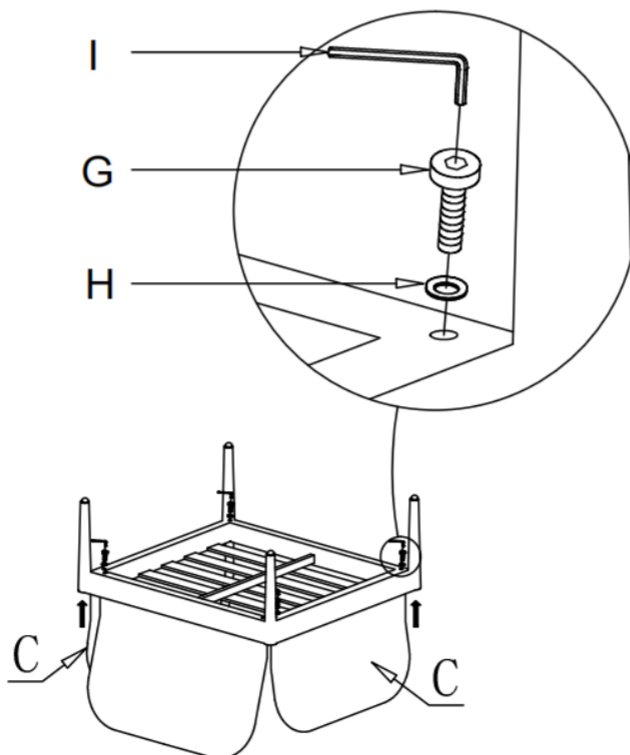
ASSEMBLY STEPS

STEP 1



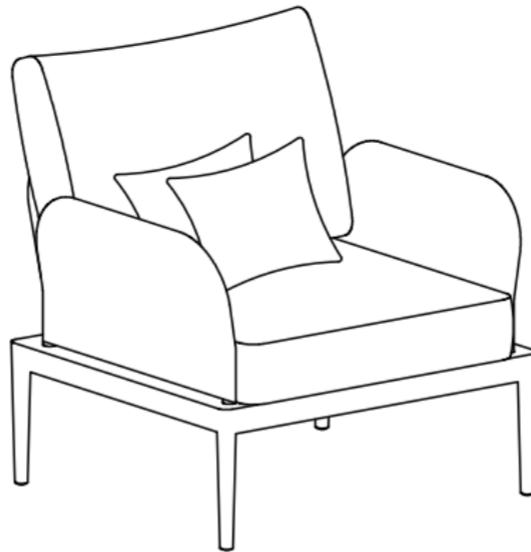
> Attach back frame A to seat frame B by using bolt G, washer H and allen key I.

STEP 2



> Attach arm frame C to seat frame B by using bolt G, washer H and allen key I.

STEP 3



> Put seat cushion D, back cushion E, throw pillow F on seat frame, now it is ready for using.

CARE & MAINTENANCE



Do not put hot items directly on furniture surface.



Do not clean furniture with harsh cleansers or polish.



Dust and wipe up spills using a clean, non-colored, lint-free cloth.



Stains may be removed with mild soap solution and a damp cloth



Do not place furniture under direct sunlight.



Do not place furniture near heating or cooling vents.



Do not write on furniture without a padded barrier to protect the surface.