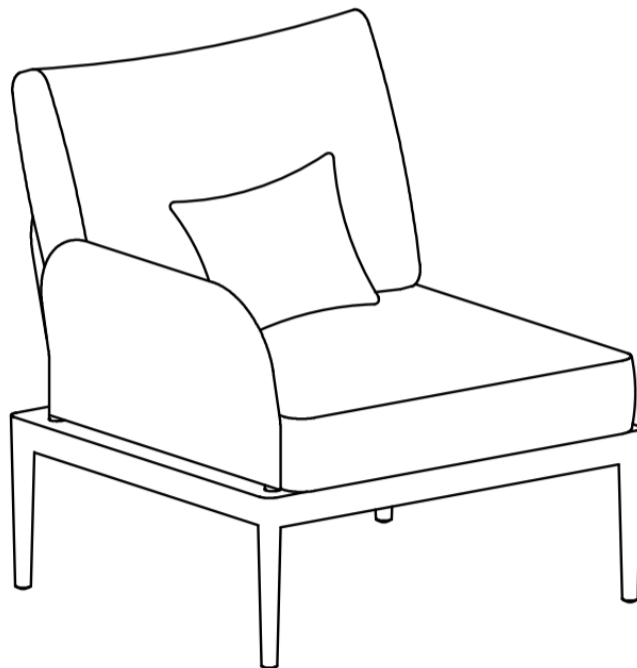


Kapri Modular Outdoor  
LAF Corner Seat




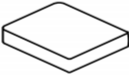


# KAPRI

---




## Assembly Instructions



## PARTS LIST

LABEL	PICTURE	DESCRIPTION	QTY
A		Back Frame	1
B		Seat Frame	1
C		Arm Frame	1
D		Seat Cushion	1
E		Back Cushion	1
F		Throw Pillow	1

## HARDWARE LIST

LABEL	PICTURE	DESCRIPTION	QTY
G		Bolt M8*20	4
H		Washer	4
I		Allen Key	1

### BEFORE BEGINNING ASSEMBLY:



*Read instructions cover to cover*



*Have two adults on hand for assembly*



*Do NOT assemble on flooring or carpet. Assemble on a clean non-marring surface (ex: packing foam)*

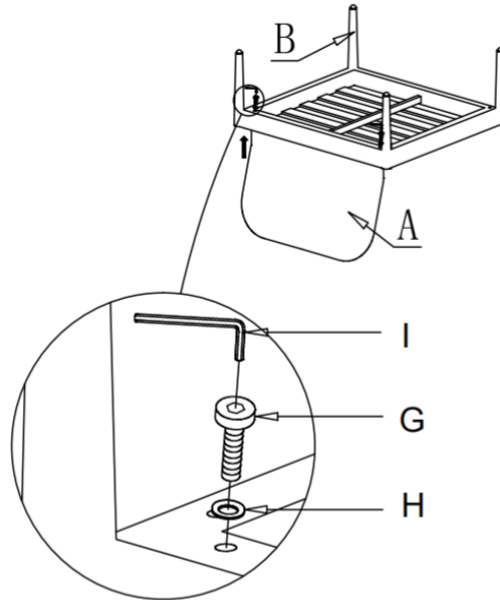


*Save all packaging until assembly is completed*

*Need a part? Call TOV at 516-888-3355 or email [service@tovfurniture.com](mailto:service@tovfurniture.com)*

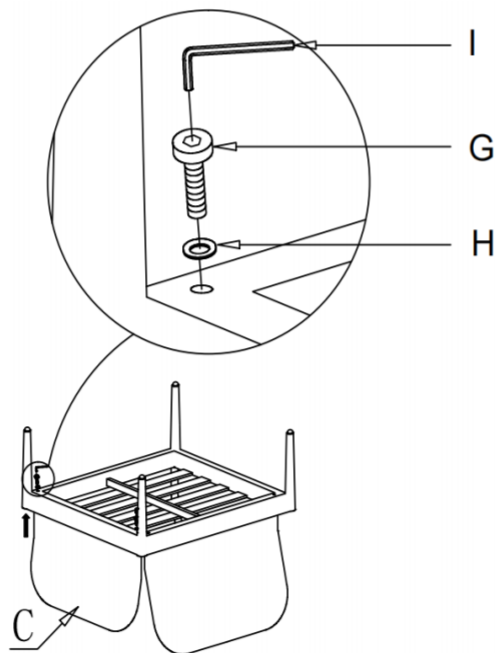
# ASSEMBLY STEPS

## STEP 1



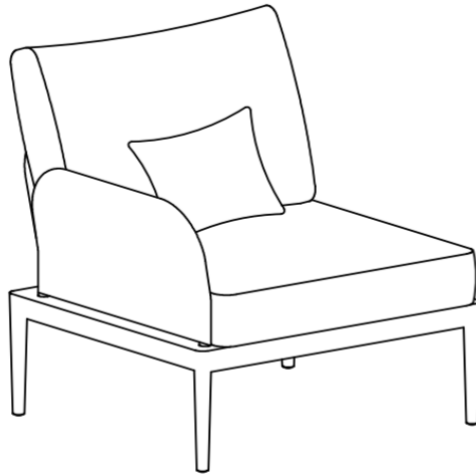
> Attach back frame A to seat frame B by using bolt G, washer H and allen key I.

## STEP 2



> Attach arm frame C to seat frame B by using bolt G, washer H and allen key I.

## STEP 3



> Put seat cushion D, back cushion E, throw pillow F on seat frame, now it is ready for using.

## CARE & MAINTENANCE



**Do not put hot items directly on furniture surface.**



**Do not clean furniture with harsh cleansers or polish.**



**Dust and wipe up spills using a clean, non-colored, lint-free cloth.**



**Stains may be removed with mild soap solution and a damp cloth**



**Do not place furniture under direct sunlight.**



**Do not place furniture near heating or cooling vents.**



**Do not write on furniture without a padded barrier to protect the surface.**