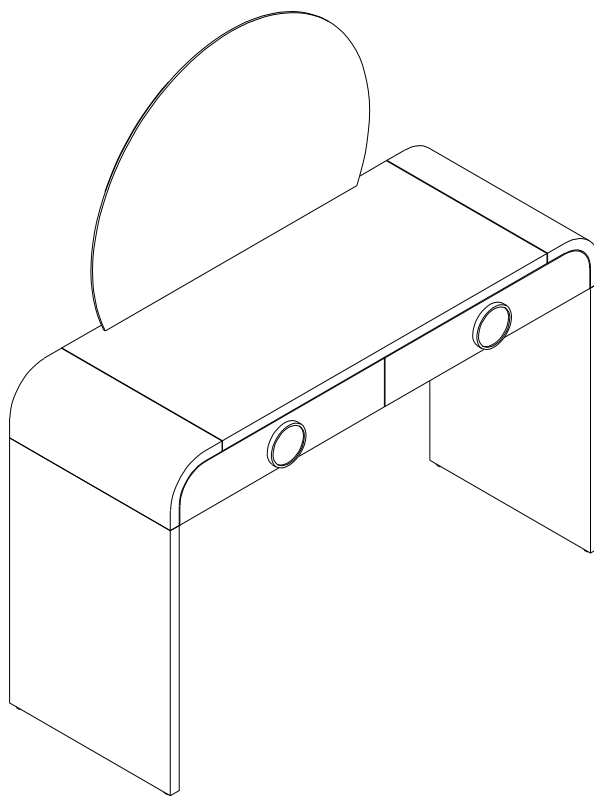


MOONRISE NATURAL ASH VANITY DESK

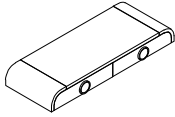

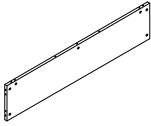

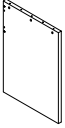
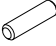
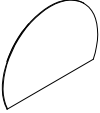


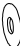

MOONRISE

ASSEMBLY INSTRUCTIONS



PARTS LIST

HARDWARE LIST

LABEL	PICTURE	DESCRIPTION	QTY	LABEL	PICTURE	DESCRIPTION	QTY
A		TOP	1	F		MINIFIX SHAFT	13
B		BACK PANEL	1	G		MINIFIX	13
C		LEGS	2	H		DOWEL	12
D		MIRROR	1	I		BOLD M6x25	8
E		SUPPORT	2	J		WASHER M8	8
				K		WRENCH K4x60	1

BEFORE BEGINNING ASSEMBLY

Read instructions cover to cover

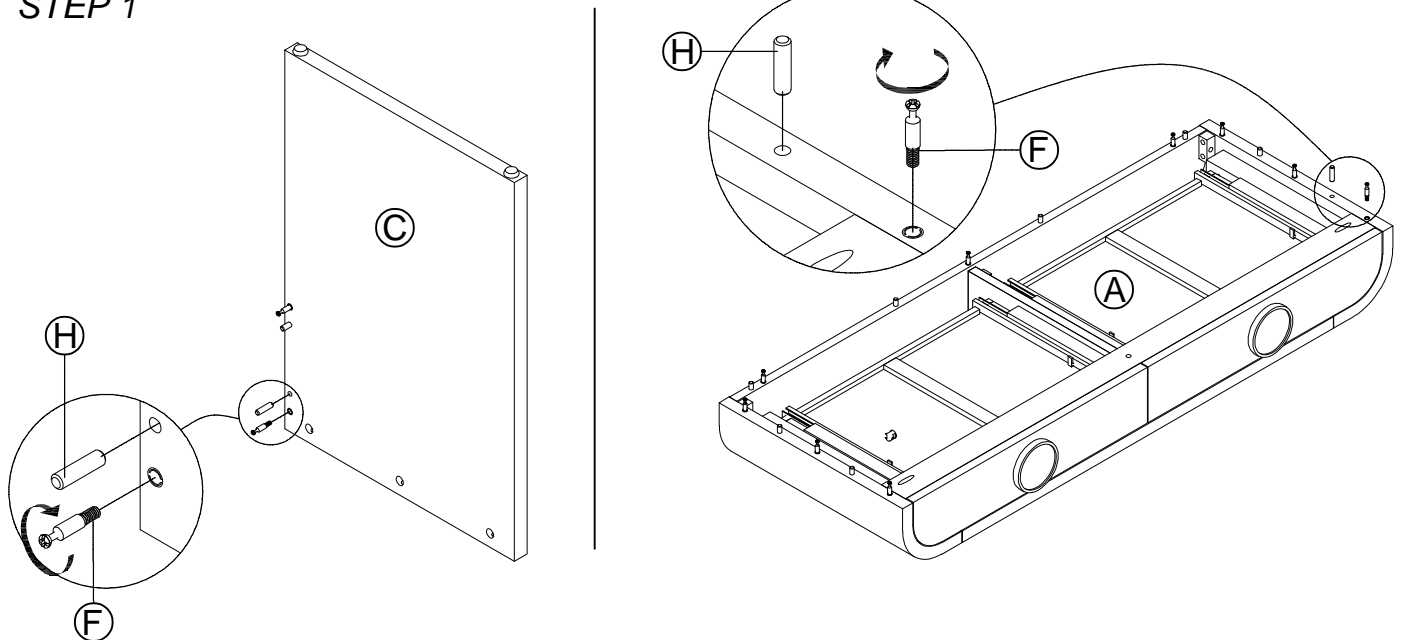
Have two adults on hand for assembly

Do NOT assemble on flooring or carpet. Assemble on a clean non-marring surface (ex: Packing foam)

Save all packaging until assembly is completed

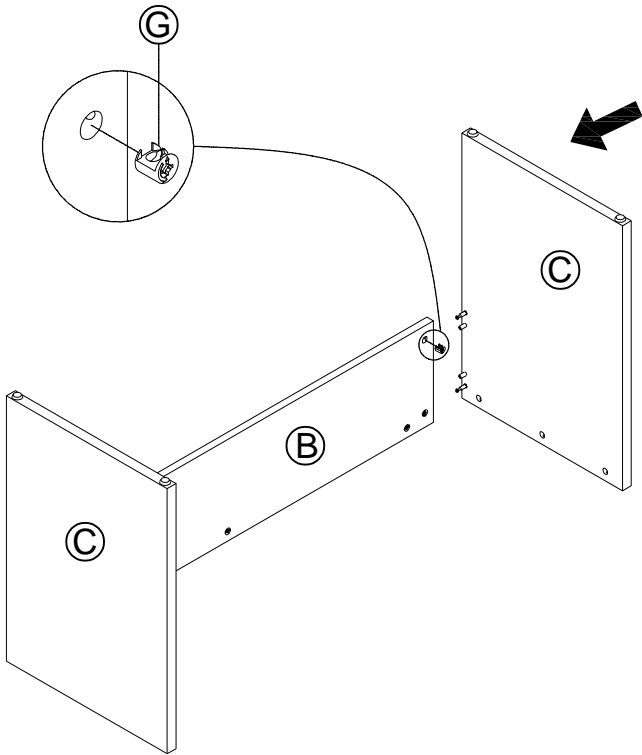
ASSEMBLY STEPS

STEP 1

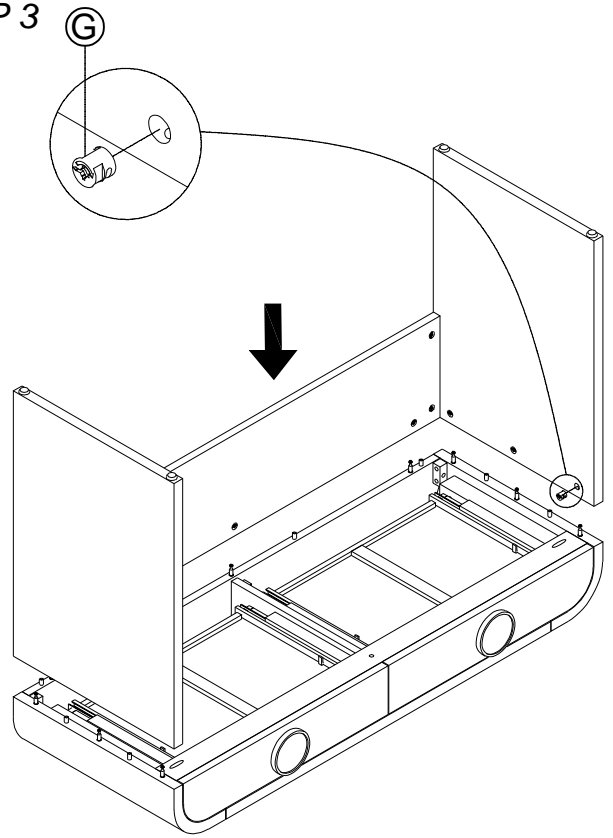


ASSEMBLY STEPS

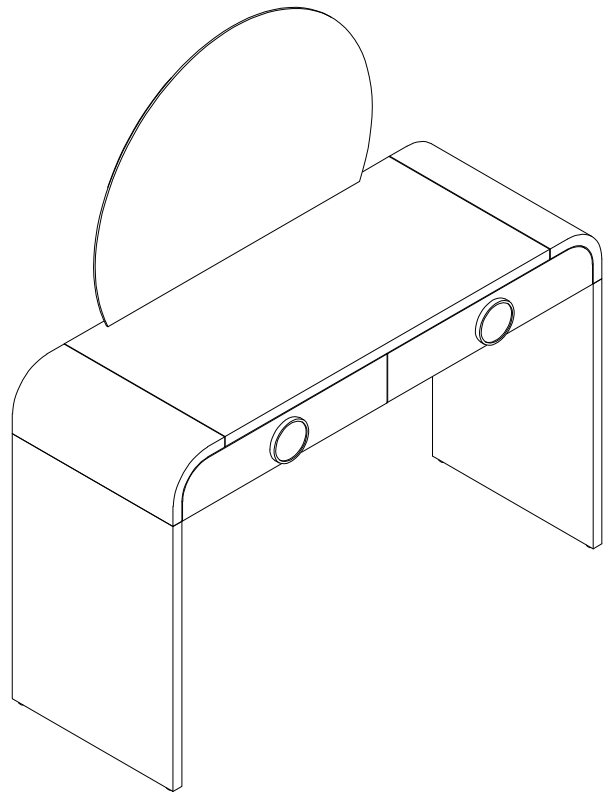
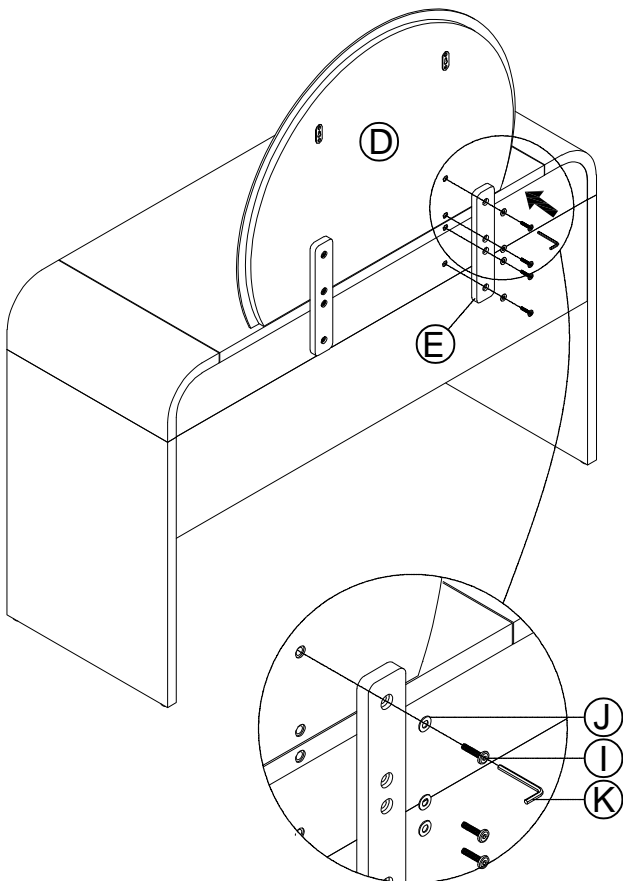
STEP 2



STEP 3



STEP 4



FINISH

CARE & MAINTENANCE



Do not put hot items directly on furniture surface.



Do not clean furniture with harsh cleansers or polish



Dust and wipe up spills using a clean, non-colored, lint-free cloth.



Stains may be removed with a mild soap solution and a damp cloth.



Do not place furniture under direct sunlight.



Do not place furniture near heating or cooling vents.



Do not write on furniture without a padded barrier to protect the surface.



Do not place furniture outside, for indoor use only.

"Need a part? Call TOV at 516-888-3355 or
[email service@tovfurniture.com](mailto:service@tovfurniture.com)"