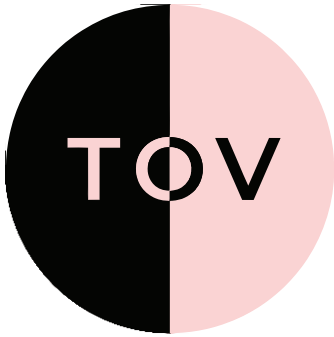
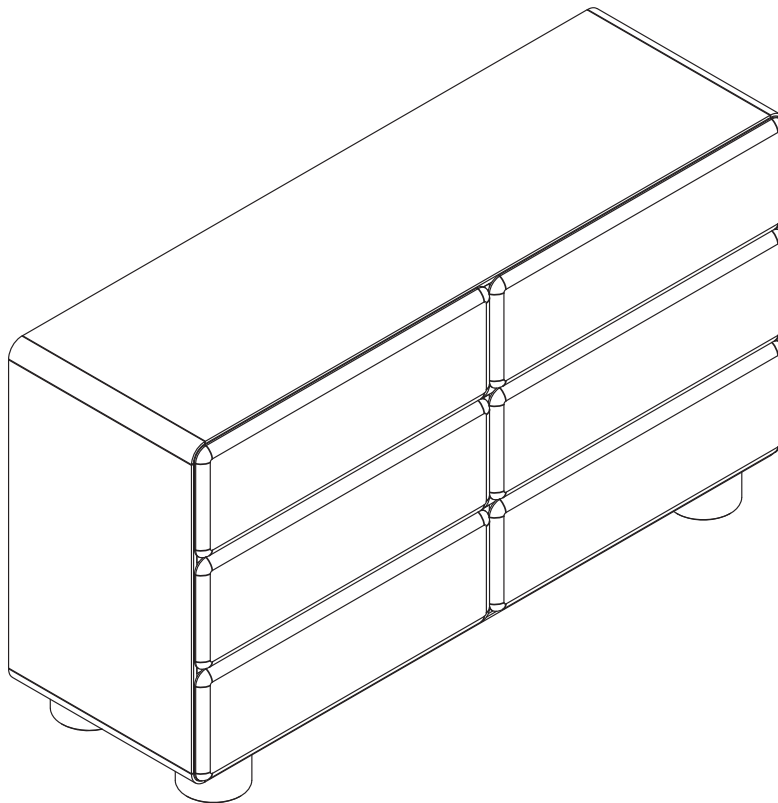


TAMMY 6 DRAWER DRESSER

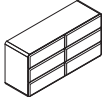
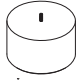




TAMMY





ASSEMBLY INSTRUCTIONS



PARTS LIST

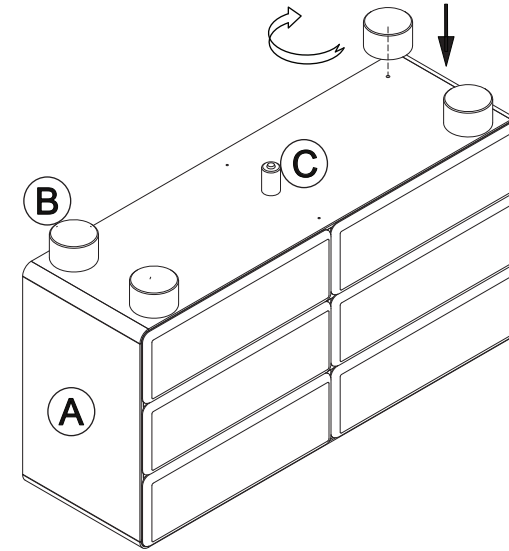
LABEL	PICTURE	DESCRIPTION	QTY
A		DRESSER	1
B		LEGS	4
C		CENTER LEGS	1
D		ANTI-TIP KITS(SET)	2

BEFORE BEGINNING ASSEMBLY:

-  Read instructions cover to cover
-  Have two adults on hand for assembly
-  Do NOT assemble on flooring or carpet. Assemble on a clean non-marring surface (ex: packing foam)
-  Save all packaging until assembly is completed

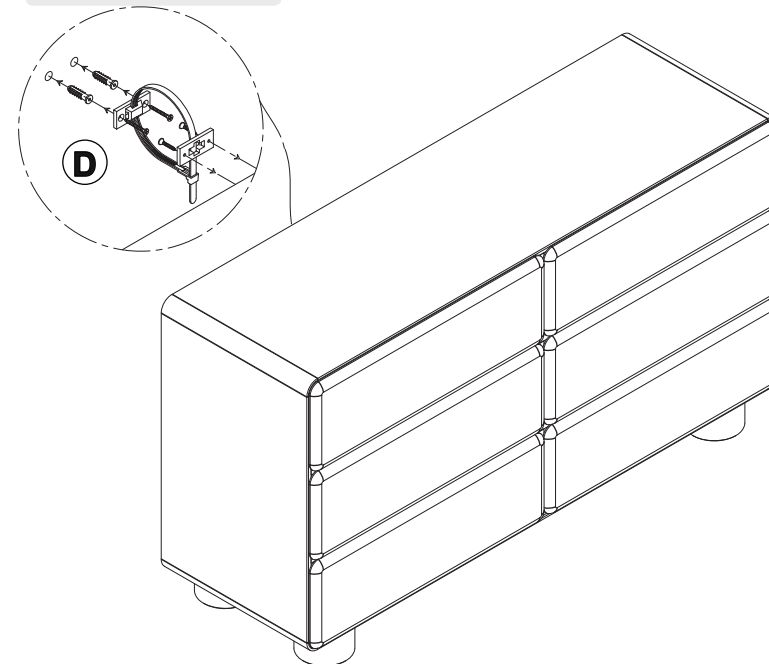
ASSEMBLY STEPS

STEP 1



Position the product with care on its top and secure the legs as shown.

STEP 2



CARE & MAINTENANCE



Do not put hot items directly on furniture surface.



Do not clean furniture with harsh cleansers or polish



Dust and wipe up spills using a clean, non-colored, lint-free cloth.



Stains may be removed with a mild soap solution and a damp cloth.



Do not place furniture under direct sunlight.



Do not place furniture near heating or cooling vents.



Do not write on furniture without a padded barrier to protect the surface.



Do not place furniture outside, for indoor use only.

**"Need a part? Call TOV at 516-888-3355 or
email service@tovfurniture.com"**