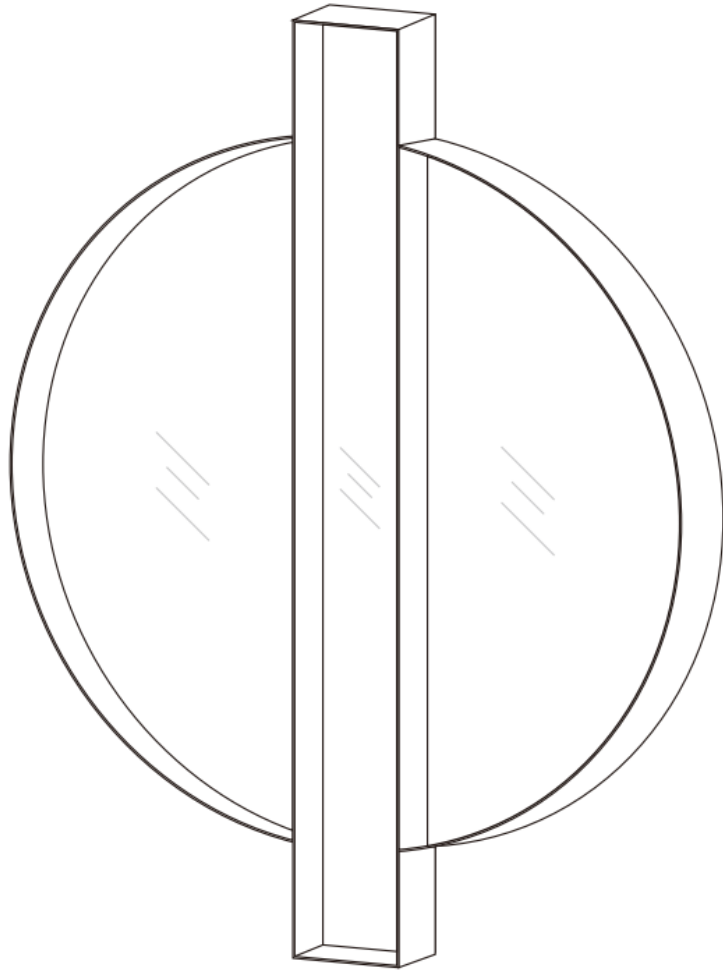


T O V



**Carri Gold Round
Wall Mirror**

DON'T BE BORING.

Hardware and Components



A x1pc



B x2pcs



C x2pcs

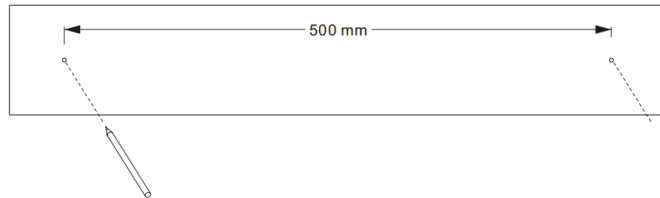
Step 1

Open the box . Look for the red streamer.



Step 2

Using the included guide, measure out a distance of 500 mm (19.7 ") on your wall to mark the two drill points.



Step 3

Drill the holes into the wall .



Step 4

Install the included anchors and screws to the wall. The mirror can now be hung either vertically or horizontally as illustrated in steps 5 and 6.



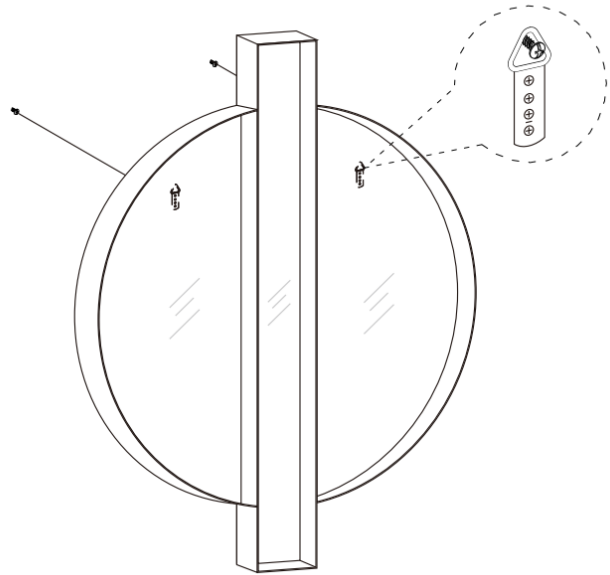
Stuck?

Contact our team @ 516-888-3355

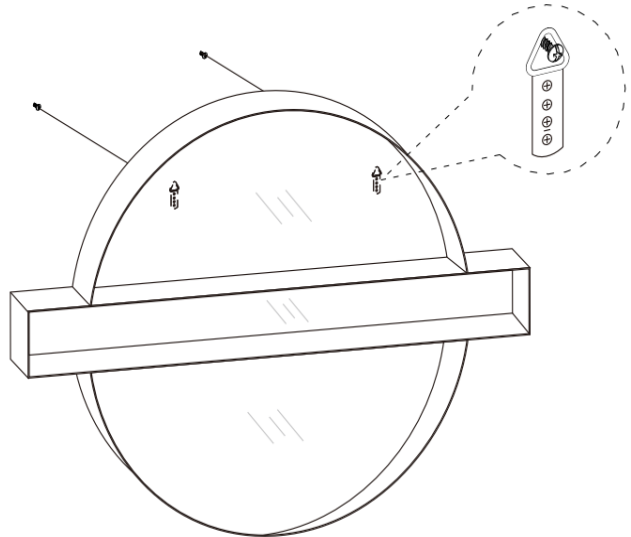
Scan for product care!



Step 5



Step 6



Stuck?

Contact our team @ 516-888-3355

Scan for product care!




TOV



Follow us!

Show your new purchase some love by tagging it on our Instagram!

 @tovfurniture

 516-888-3355

 hello@tovfurniture.com

 www.tovfurniture.com

If the future is female—your furniture should be, too. No mahogany in sight. Sexy settees shaped like lips. Price points for any budget. At TOV, we do things differently.