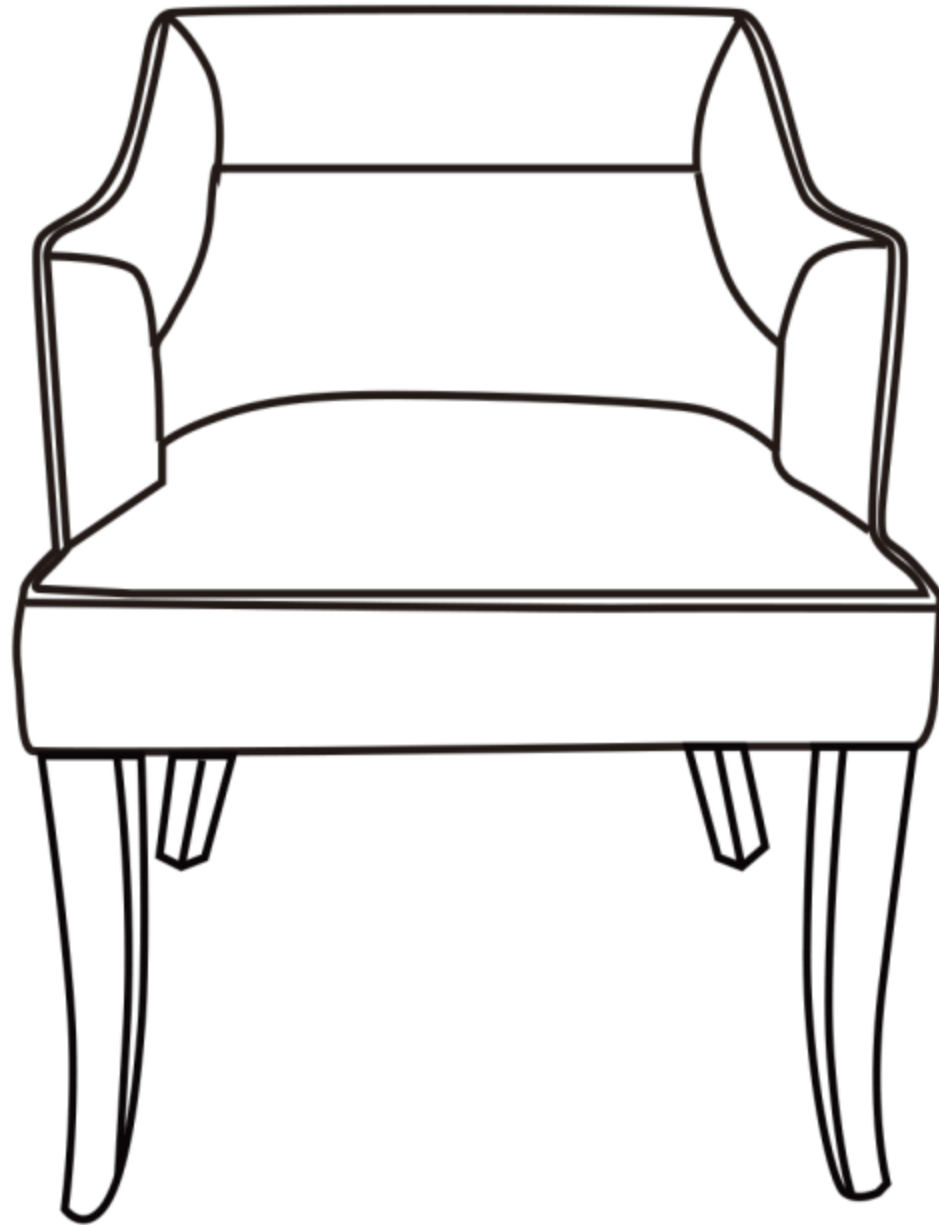


TOV



**Tiffany
Chair**

DON'T BE BORING.

Hardware and Components



.....

A X 2 pcs



.....

B X 2 pcs



.....

C X 8 pcs



.....

D X 8 pcs



.....

E X 8 pcs (6mm x 65mm)



.....

F X 1 pc Ball-End
Allen Wrench - 6mm

Step 1

Open box of hardware and legs.

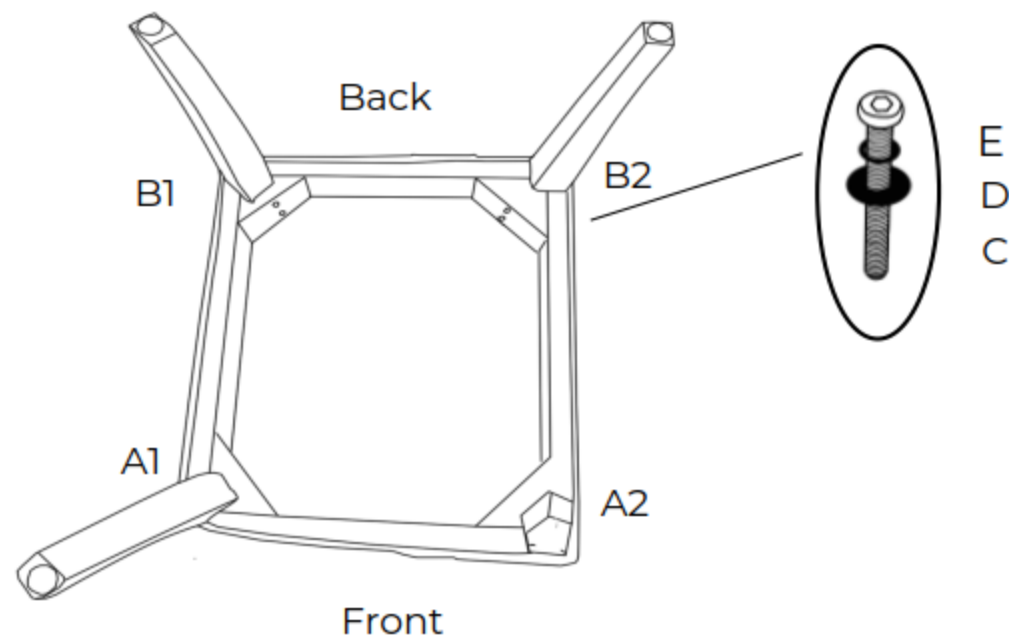
This hardware box will be a smaller box inside of the main box. Look for the red streamer.



Step 2

A. Tip the chair over, position 1 piece of Legs (part A1) at #A1 wooden corner.

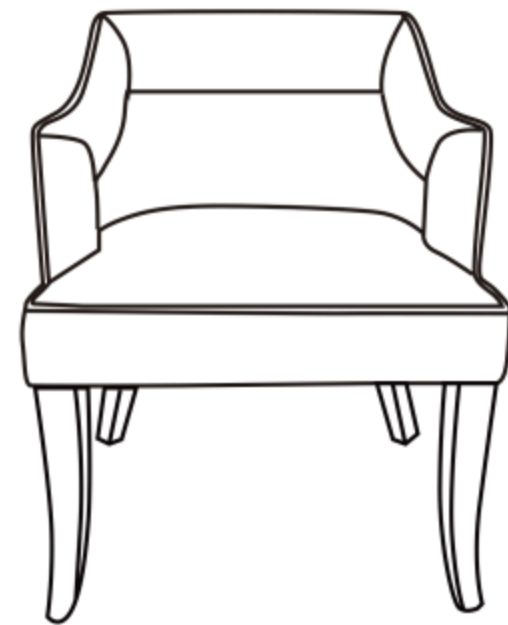
Insert the assembled 2 pieces of Bolts (parts E.D.C) into the corner to connect the Leg. Use Ball-end Wrench (part G) to tighten the Bolts clockwise, do not fully tighted until the last step. Repeat the same steps for another 3 legs(parts A2.B1.B2)



Step 3

A. Tip chair back over. Adjust the angle of the legs until they are even, fully tightened the Bolts(parts E).

B. Complete!



Stuck?

Contact our team @ 516-888-3355
Scan for product care!



TOV



Follow us!

Show your new purchase some love by tagging it on our Instagram!

-  @tovfurniture
-  516-888-3355
-  hello@tovfurniture.com
-  www.tovfurniture.com

If the future is female—your furniture should be, too. No mahogany in sight. Sexy settees shaped like lips. Price points for any budget. At TOV, we do things differently.