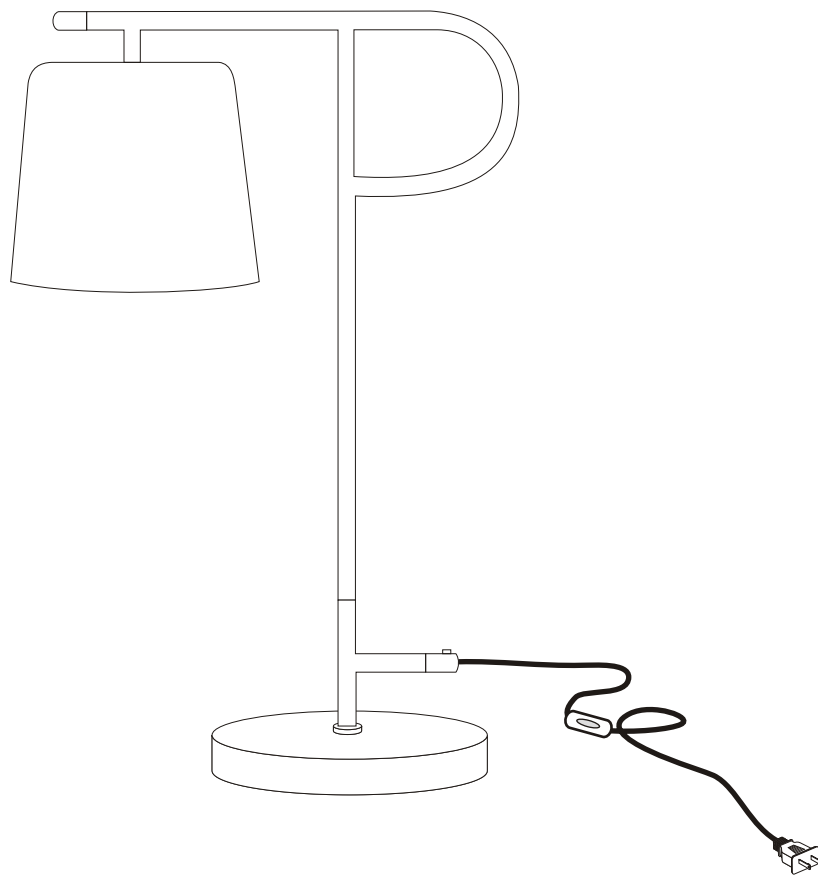


BABEL MARBLE BASE TABLE LAMP
TOV-G18150

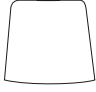
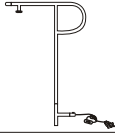

T O V
FURNITURE

BABEL

ASSEMBLY INSTRUCTIONS

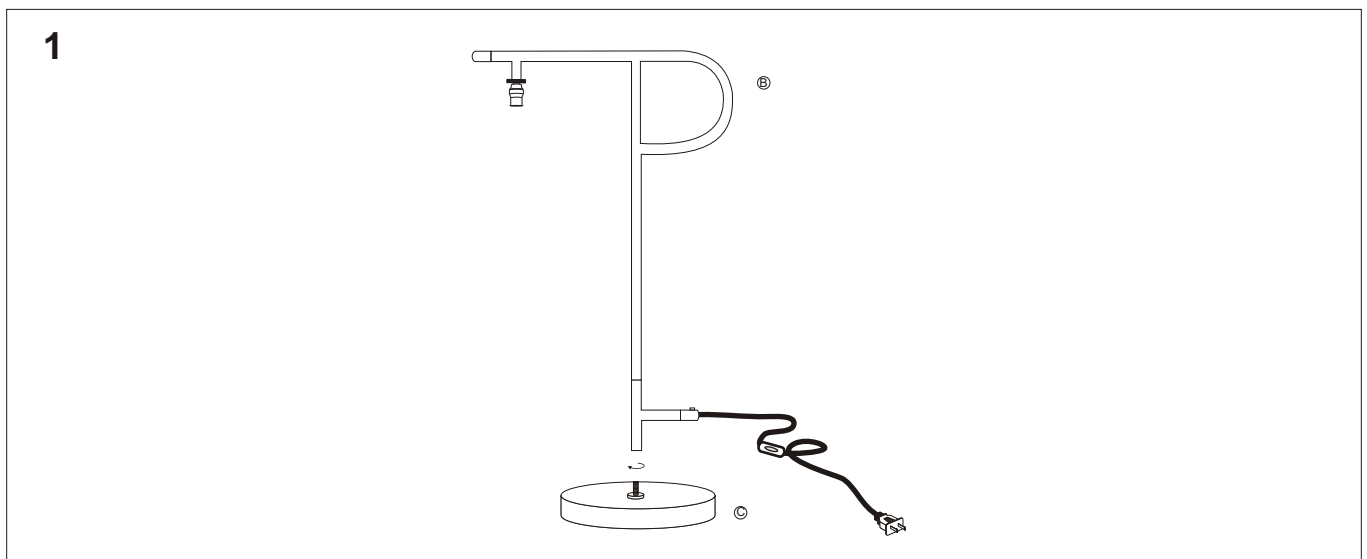


PARTS LIST & HARDWARE LIST

LABEL	DESCRIPTIONS	PICTURE	QTY
A	SHADE		1X
B	SHADE FIXTURE		1X
C	BASE		1X

PREPARATION

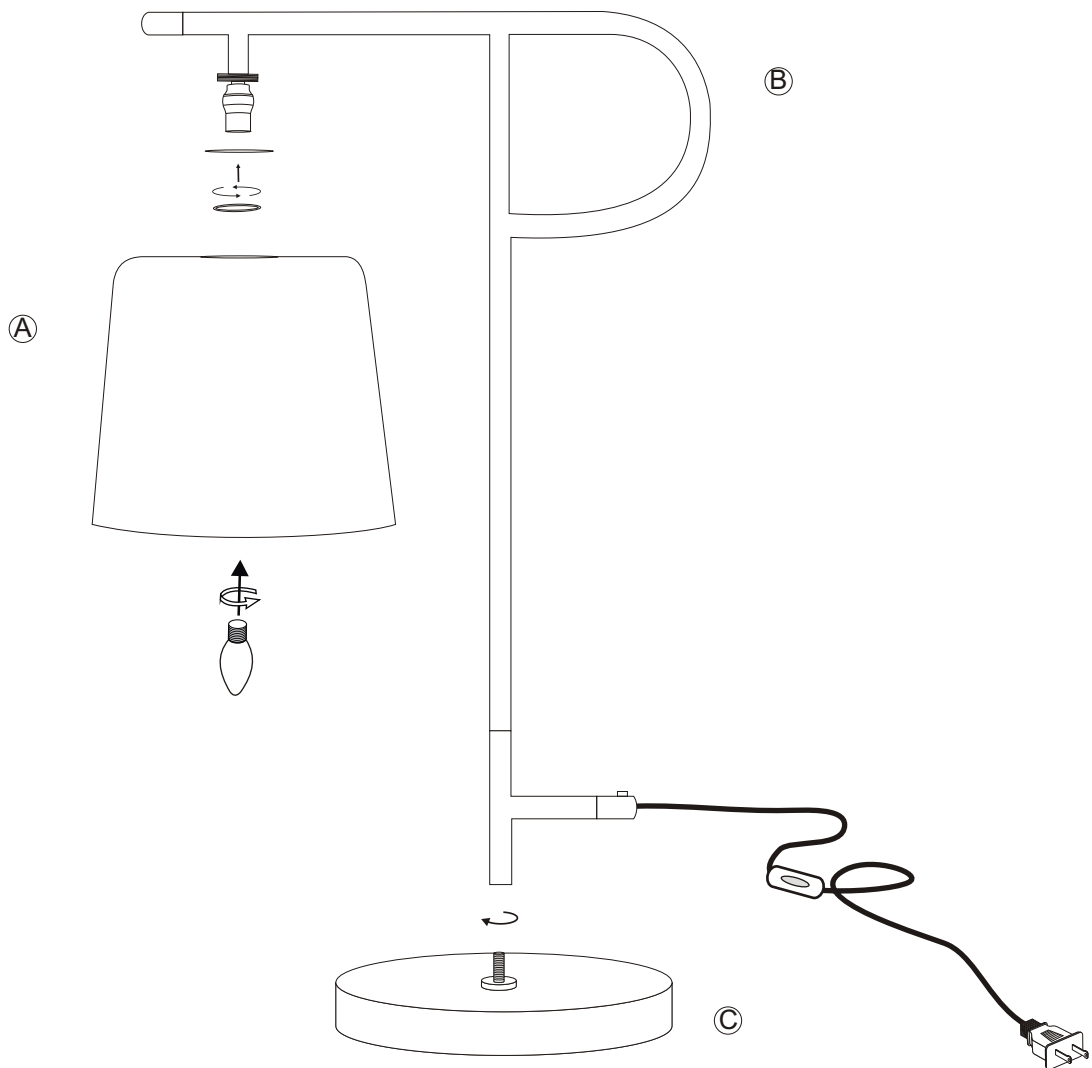
Before beginning assembly of product, make sure all parts are present. Compare parts with package contents list and hardware contents list. If any part is missing or damaged, do not attempt to assemble the product. Estimated Assembly Time: 10 minutes.



Step 1

Carefully place the shade fixture (B) over the lamp base (C) and rotate clockwise to tighten.

2



Step 2

Fix the lamp shade (A) to the bulb holder and tight the ring on the bulb holder to fix the lamp shade.

CARE & MAINTENANCE

1. Do not use acids or alkaline cleaning agents.
2. Sharp objects will damage and scratch the surface.
3. Wipe the surface with a soft, damp cloth.
4. Please make sure that you have all parts indicated before you begin assembly of this item
5. This item should be assembled on a soft surface to prevent scratching the finish during assembly
6. This item may require periodic tightening