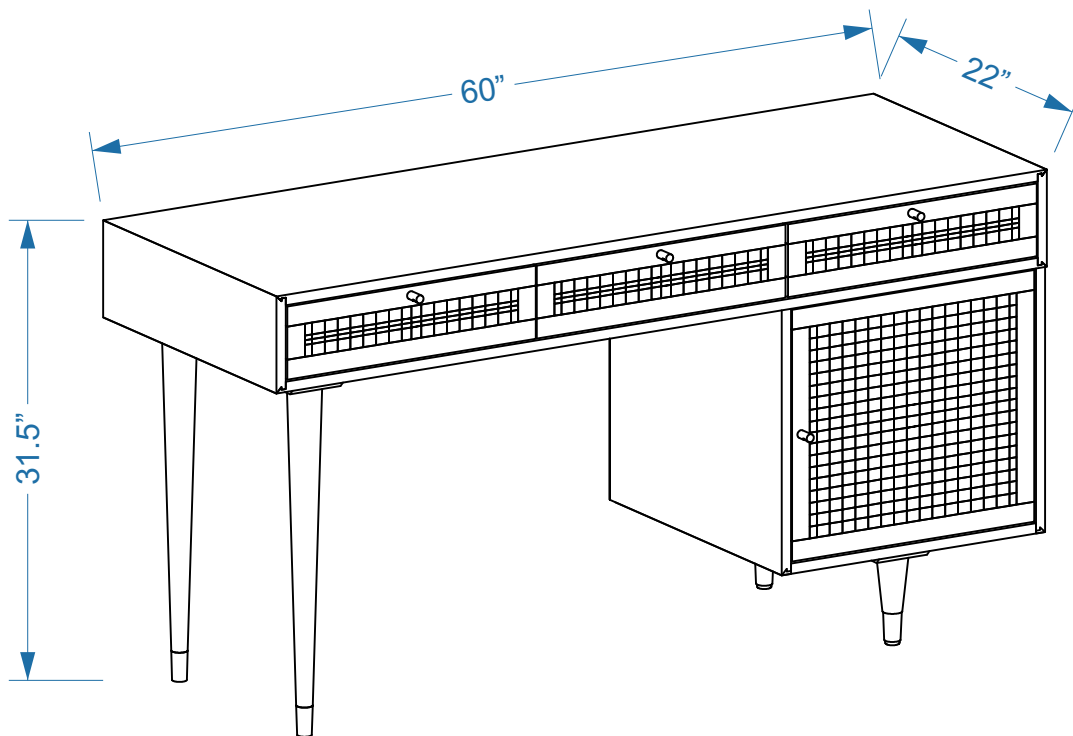


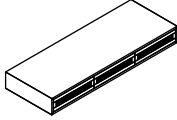
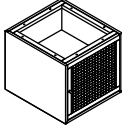


SIERRA DESK

SIERRA

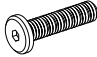


ASSEMBLY INSTRUCTIONS



PARTS LIST

LABEL	PICTURE	DESCRIPTION	QTY
A		DESKTOP	1
A-1		SIDE CABINET	1
A-2		LEFT LEG	2
B		RIGHT LEG	2

HARDWARE

LABEL	PICTURE	DESCRIPTION	QTY
C		SCREW M6X30	8
D		WASHER Ø16xØ6x2mm	8
E		WRENCH M4X60	1

BEFORE BEGINNING ASSEMBLY:



Read instructions cover to cover



Have two adults on hand for assembly



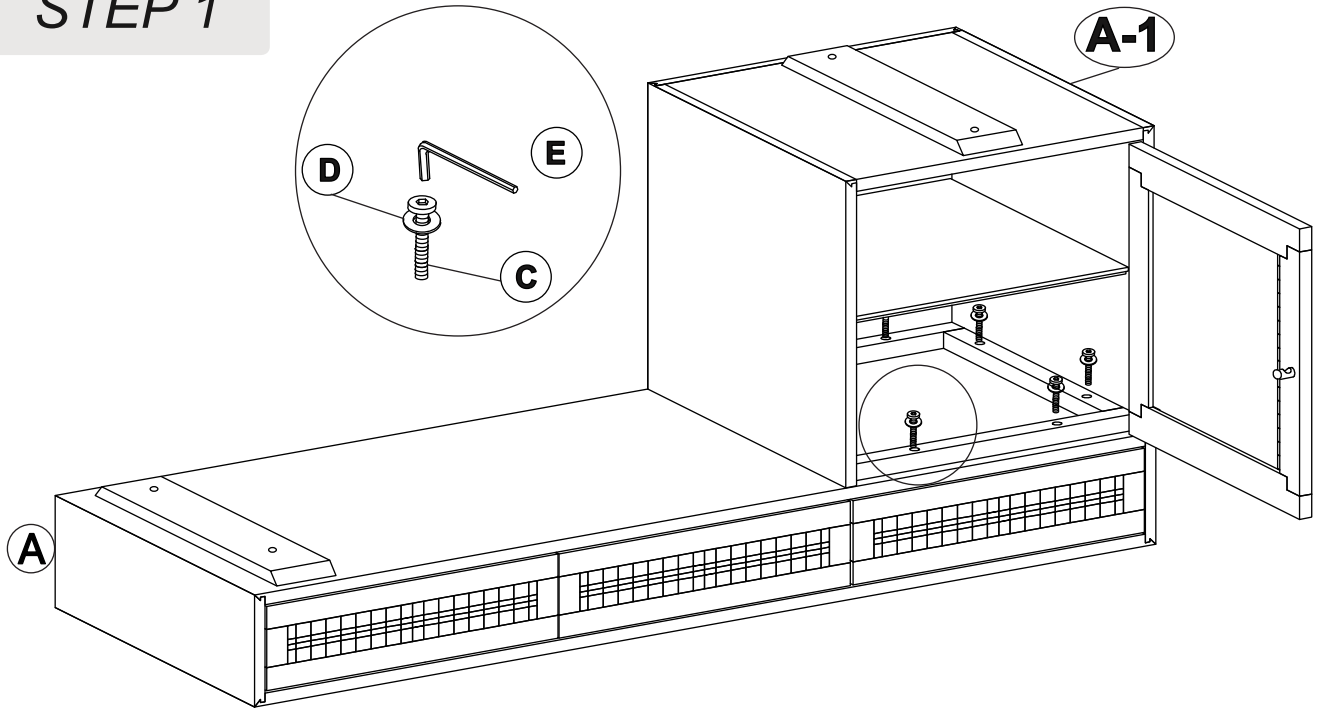
Do NOT assemble on flooring or carpet. Assemble on a clean non-marring surface (ex: packing foam)



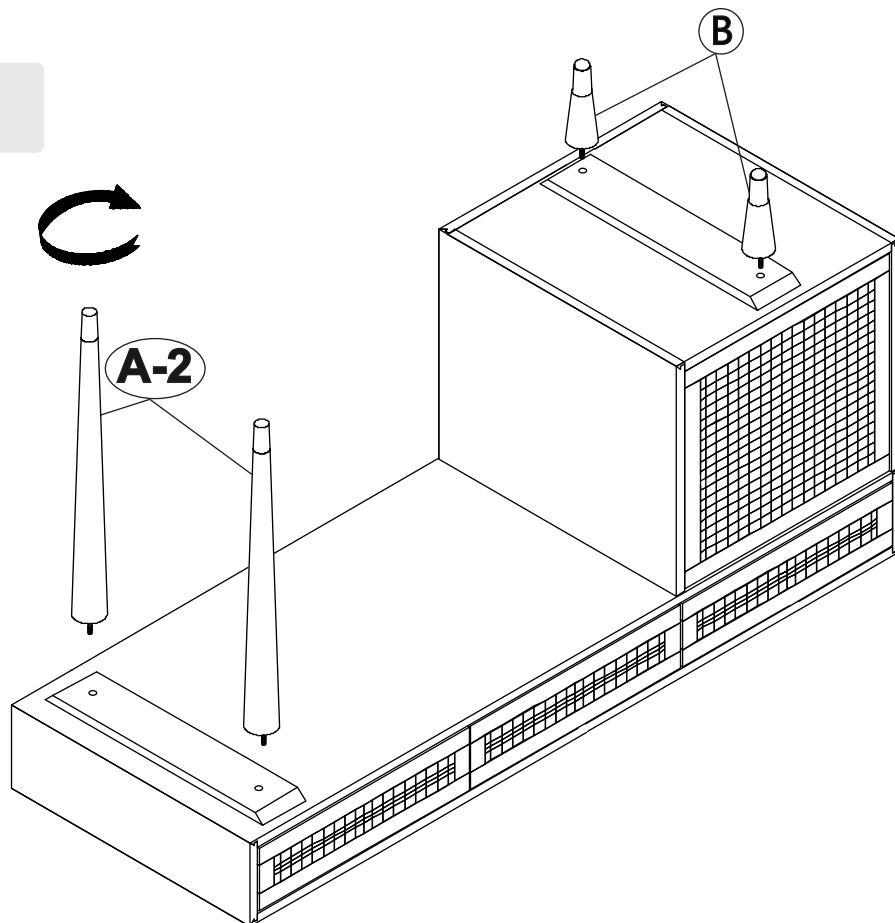
Save all packaging until assembly is completed

ASSEMBLY STEPS

STEP 1

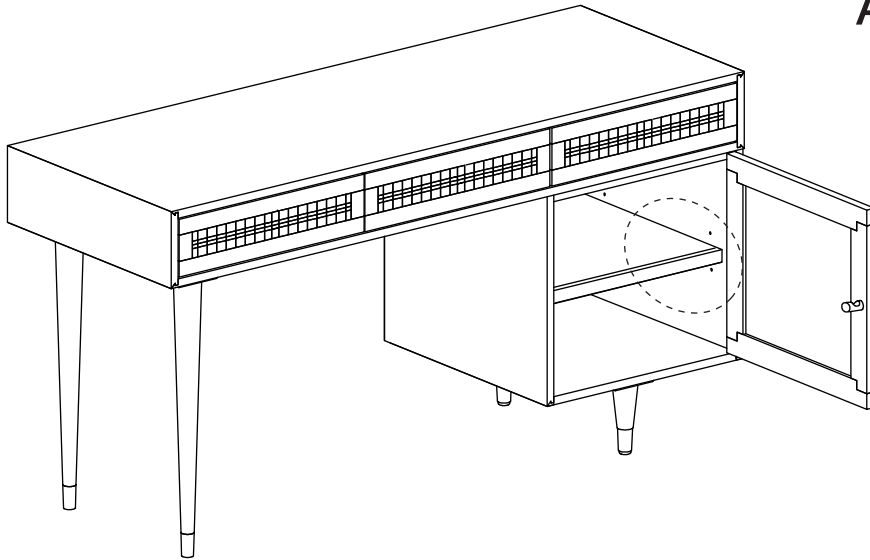


STEP 2

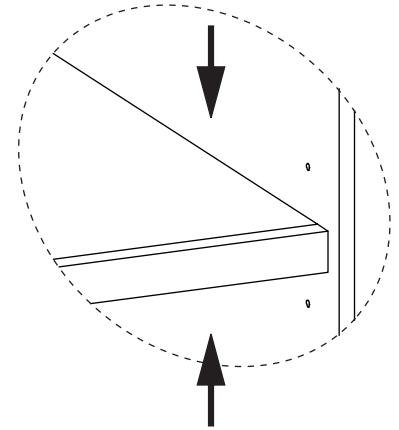


ASSEMBLY STEPS

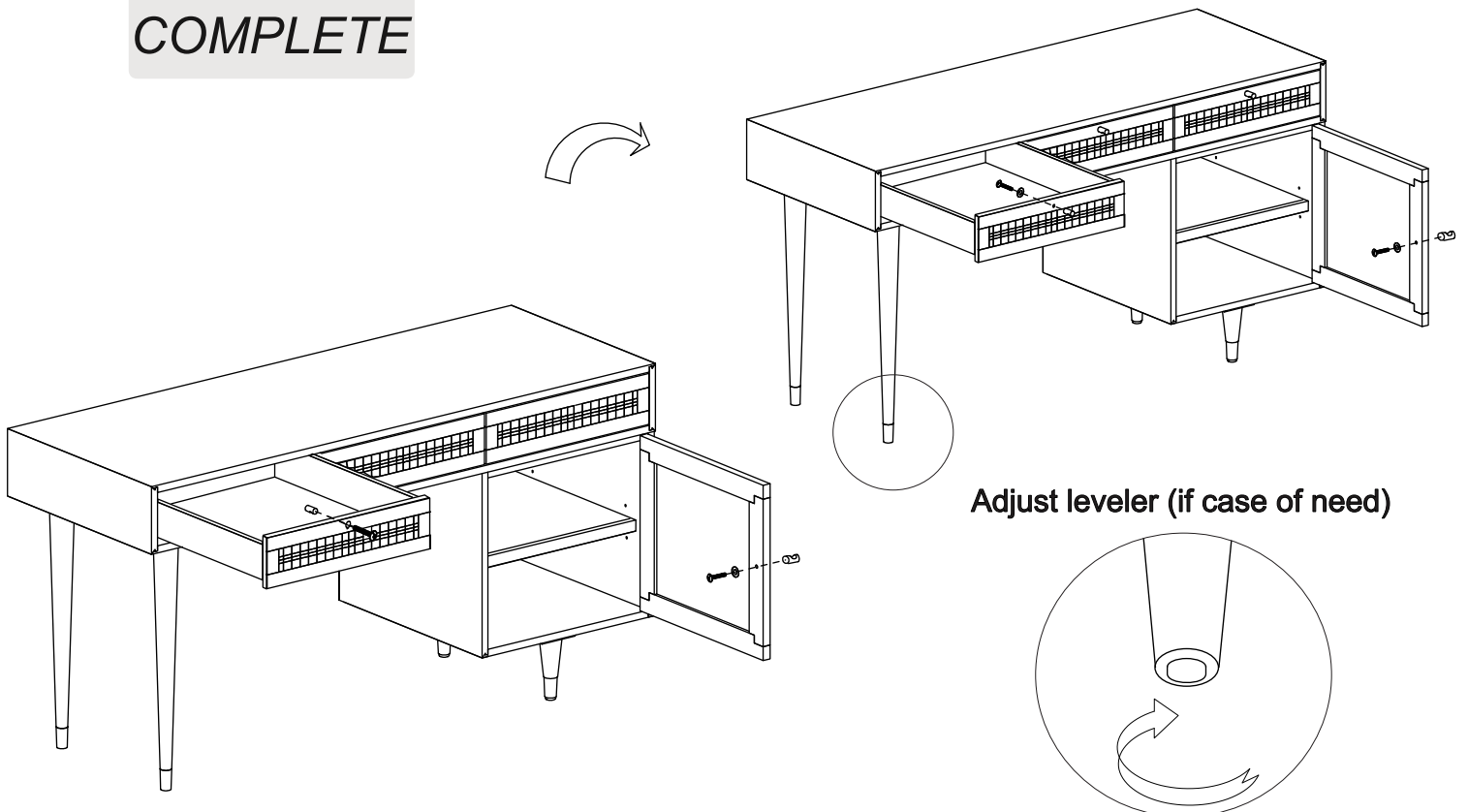
STEP 3



Adjustable shelf +/-1.96"



COMPLETE



Adjust leveler (if case of need)