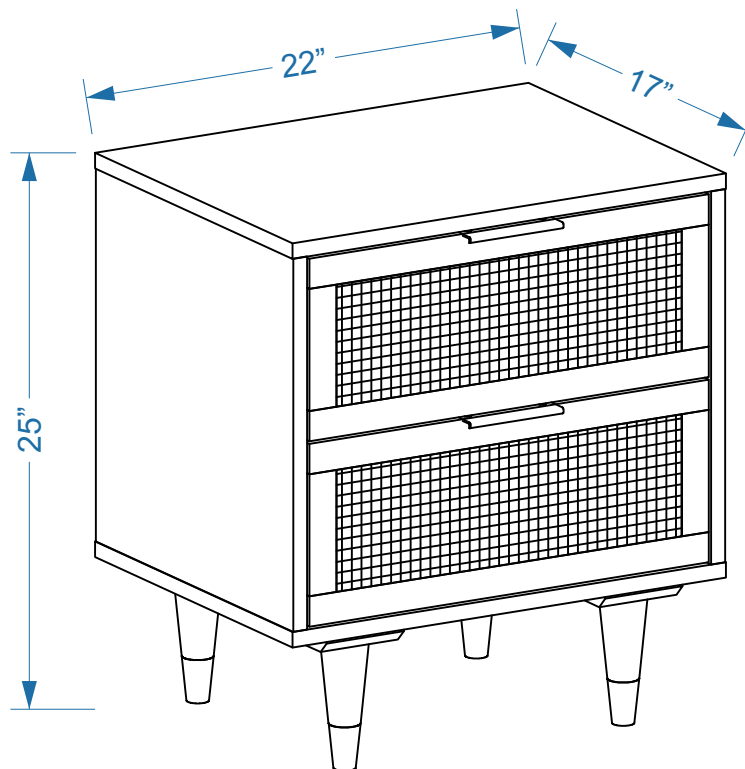


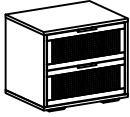

SIERRA NIGHTSTAND

SIERRA

ASSEMBLY INSTRUCTIONS



PARTS LIST

LABEL	PICTURE	DESCRIPTION	QTY
A		CHEST	1
B		LEGS	4

BEFORE BEGINNING ASSEMBLY:



Read instructions cover to cover



Have two adults on hand for assembly



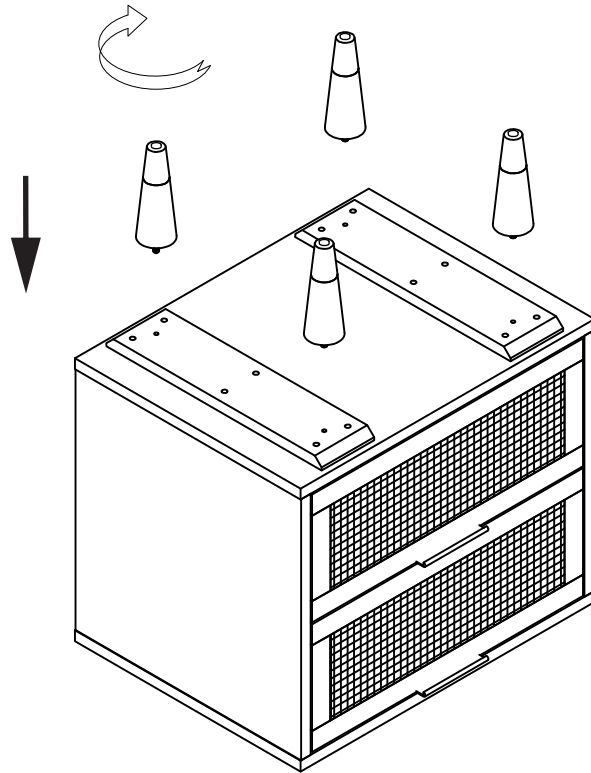
Do NOT assemble on flooring or carpet. Assemble on a clean non-marring surface (ex: packing foam)



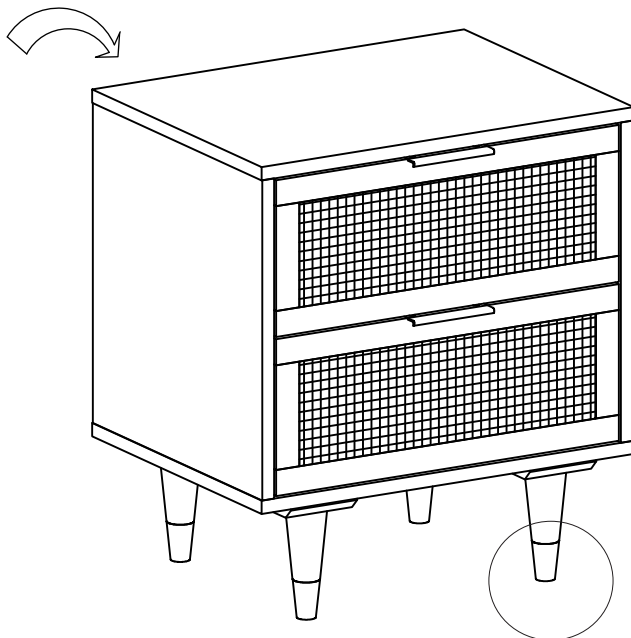
Save all packaging until assembly is completed

ASSEMBLY STEPS

STEP 1



STEP 2



Adjust leveler (if case of need)

