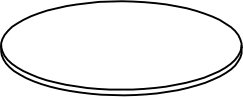
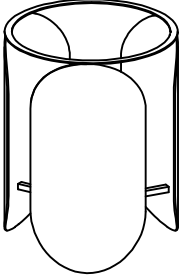
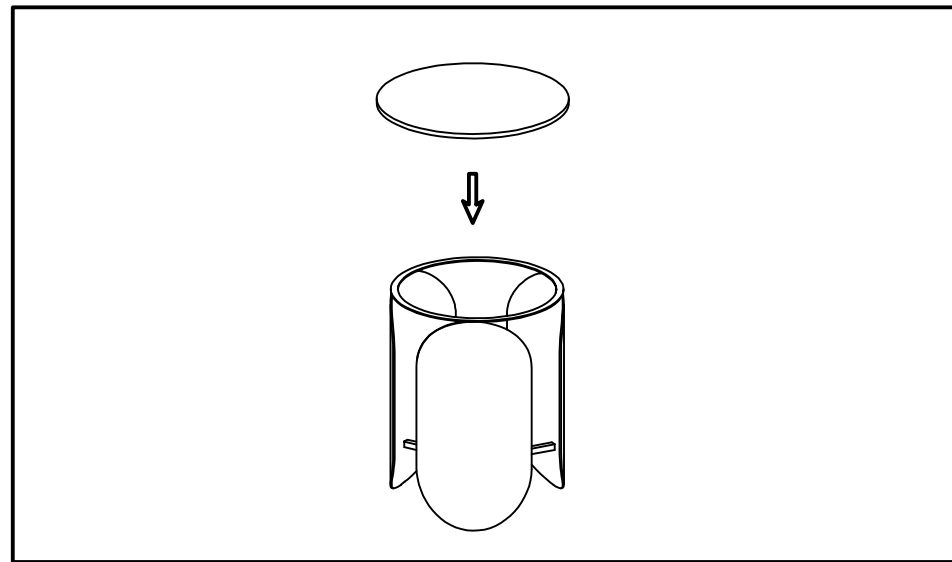


Part List and Hardware List

PART	DESCRIPTION	PICTURE	QUANTITY
A	MARBLE TABLE TOP		1x
B	TABLE BASE		1x

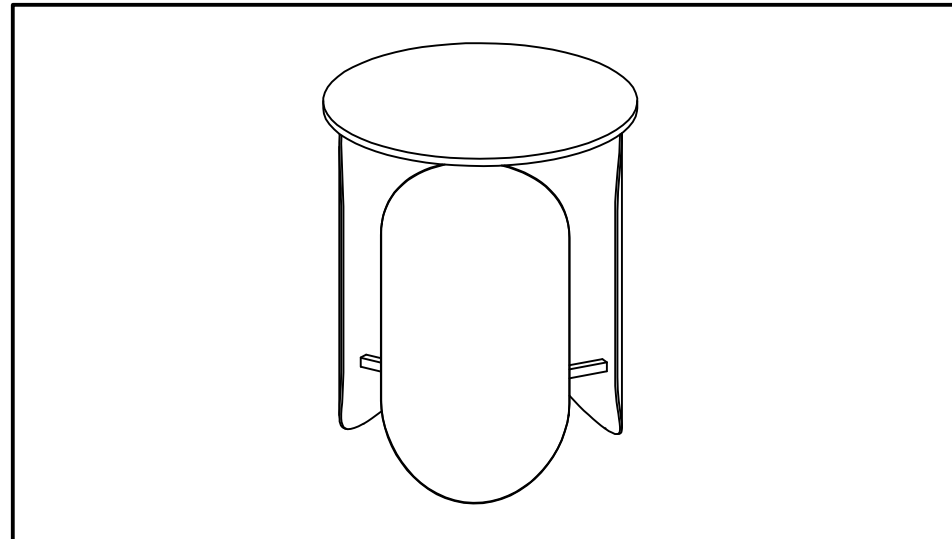
PREPARATION

Before beginning assembly of product , make sure all parts are present. Compare parts with package contents list or hardware contents list If any part is missing or damage , do not attempt to assemble the product. Estimated Assemble Time : 10 minutes



Step - 1

With the help of 2 people place the given marble top on the iron base.



Step - 2

Table is ready for use

CARE AND MAINTENANCE

1. Do not use acids or alkaline cleaning agents.
2. Sharp object will damage and scratch the surface.
3. Wipe the surface with a soft, damp cloth.
4. Please make sure that you have all parts indicated before you begin assembly of this item.
5. This item should be assembled on a soft surface to prevent scratching the finish during assembly.
6. This item may require periodic tightening.

INDO WHITE MARBLE SIDE TABLE

TOV-OC18289

TOV

INDO WHITE MARBLE SIDE TABLE

ASSEMBLY INSTRUCTIONS

