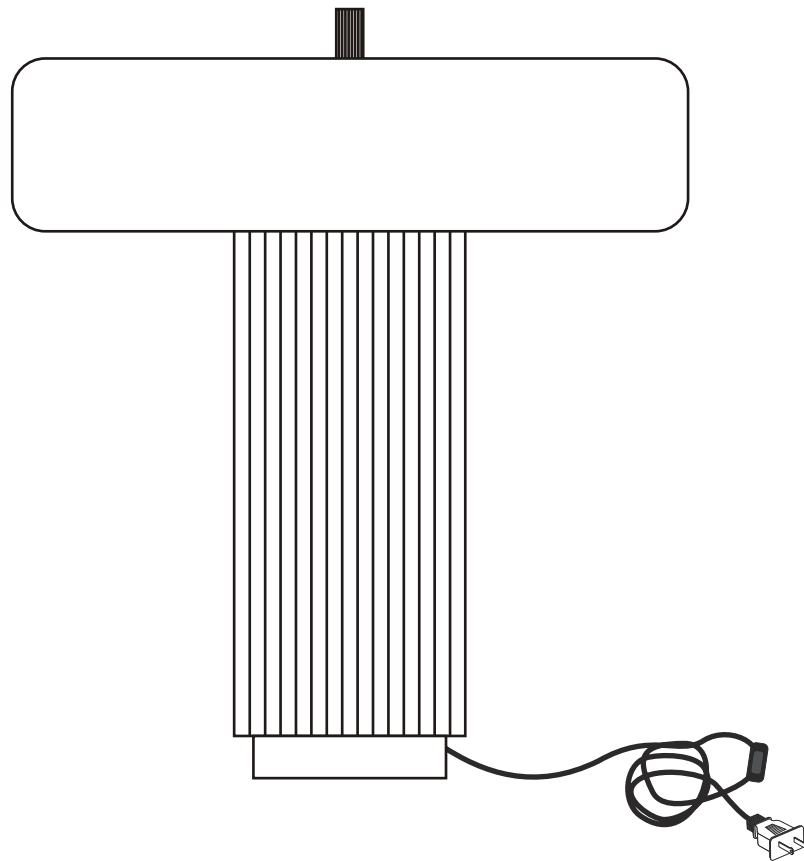


KAMRYN CREAM TABLE LAMP
TOV-G18411



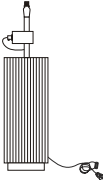
TOV

KAMRYN

ASSEMBLY INSTRUCTIONS



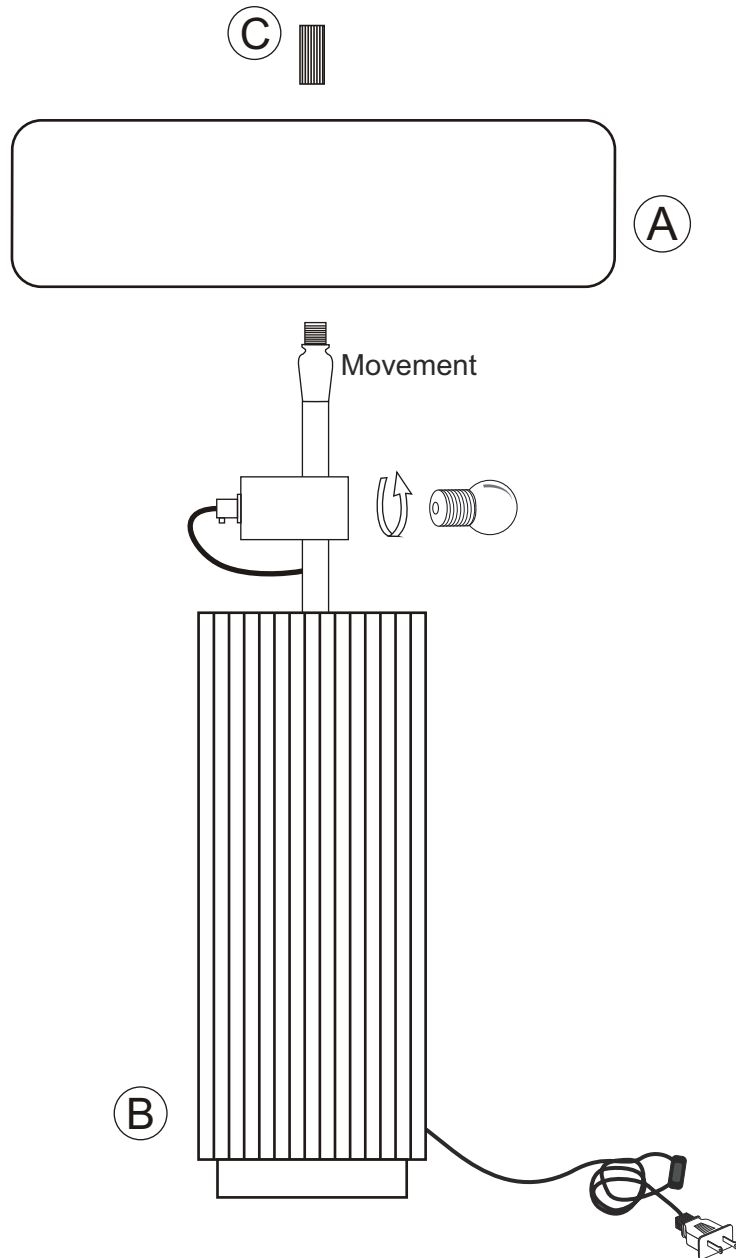
PARTS LIST & HARDWARE LIST

LABEL	DESCRIPTIONS	PICTURE	QTY
A	SHADE		1X
B	TOP NUT		1X
C	LAMP BASE		1X

PREPARATION

Before beginning assembly of product, make sure all parts are present. Compare parts with package contents list and hardware contents list. If any part is missing or damaged, do not attempt to assemble the product. Estimated Assembly Time: 10 minutes.

2



Step 2

Unscrew the top nut (C) from the top of the movement of the lamp.

Carefully place the shade (A) over the top of the movement of the lamp and aligned so that the top nut (C) can be re-screwed.

Slightly move the shade to check if it has been adequately tightened.

If it feels loose screw in the top nut (C) until it is tightly screwed.

Adjust the lamp shade to the straight position with the help of movement if it looks tilt to any side.

CARE & MAINTENANCE

1. Do not use acids or alkaline cleaning agents.
2. Sharp objects will damage and scratch the surface.
3. Wipe the surface with a soft, damp cloth.
4. Please make sure that you have all parts indicated before you begin assembly of this item
5. This item should be assembled on a soft surface to prevent scratching the finish during assembly
6. This item may require periodic tightening



Save all packaging until assembly is completed

Need a part? Call TOV at 516-888-3355 or email service@tovfurniture.com