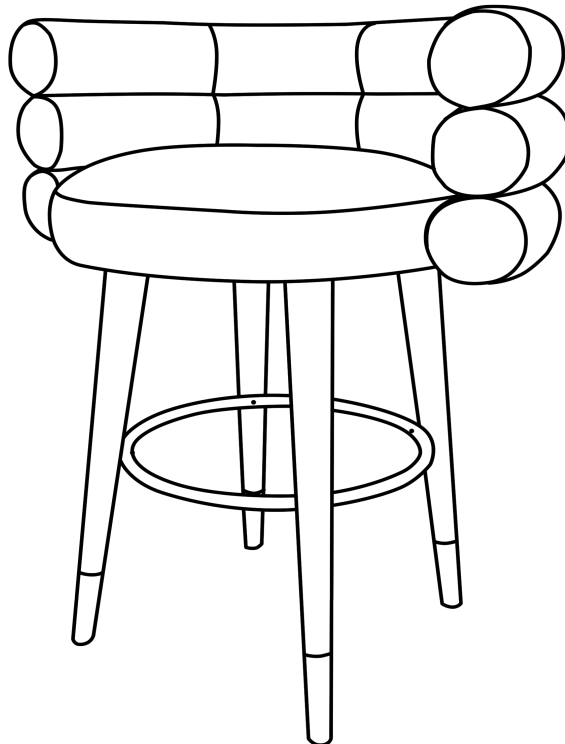




Betty Barstool
TOV-D6452/TOV-D6453
TOV-D6454/TOV-D6455

BETTY





ASSEMBLY INSTRUCTIONS



PARTS LIST

LABEL	PICTURE	DESCRIPTION	QTY
A		Chair	1
B		Leg	4

HARDWARE

LABEL	PICTURE	DESCRIPTION	QTY
C		Metal Gasket	12
D		Spring Washer	12
E		Screw	12
F		Wrench	1

BEFORE BEGINNING ASSEMBLY:



Read instructions cover to cover



Have two adults on hand for assembly



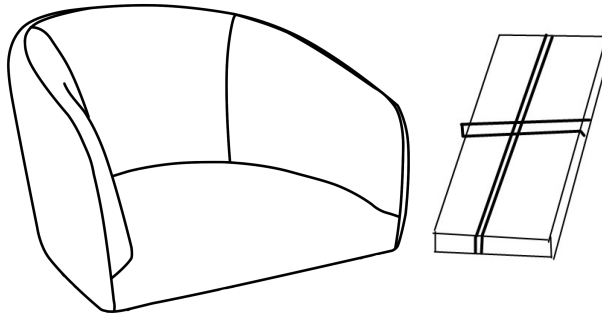
Do NOT assemble on flooring or carpet. Assemble on a clean non-marring surface (ex: packing foam)



Save all packaging until assembly is completed

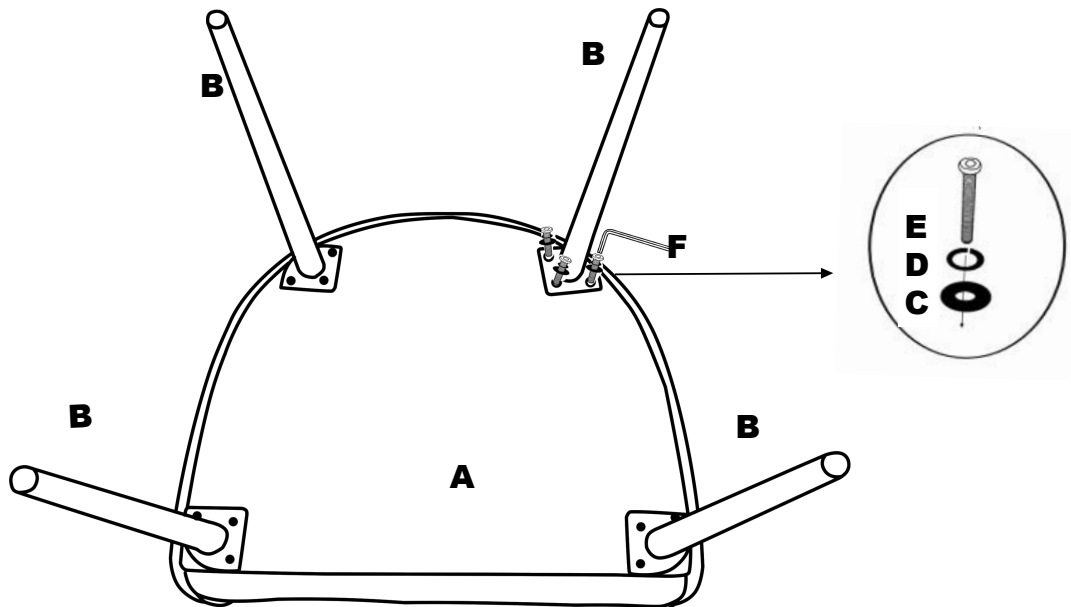
ASSEMBLY STEPS

STEP 1



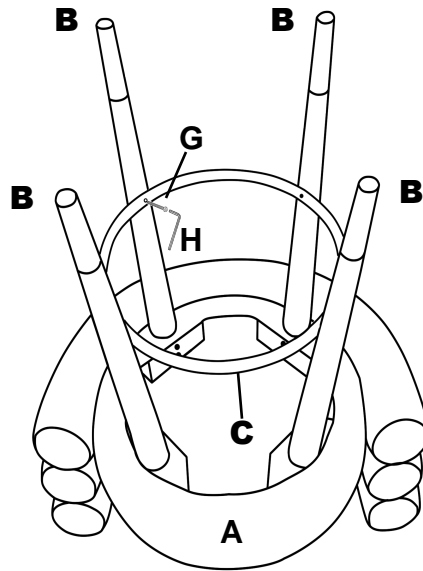
Open the carton to take out the chair body and hardware bag.

STEP 2



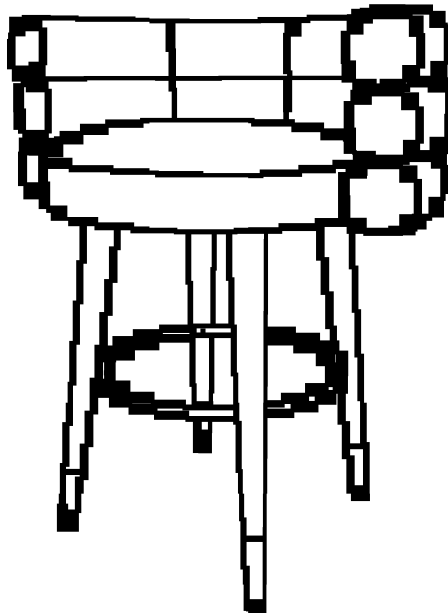
Use provided hardware to attach the legs.

STEP 4



Use provided hardware to attach the Foot rest to the legs as shown.

STEP 5



Turn over the barstool and adjust the angle of the legs until they are even, then fully tightened the bolts(F).Assembly is completed.

