

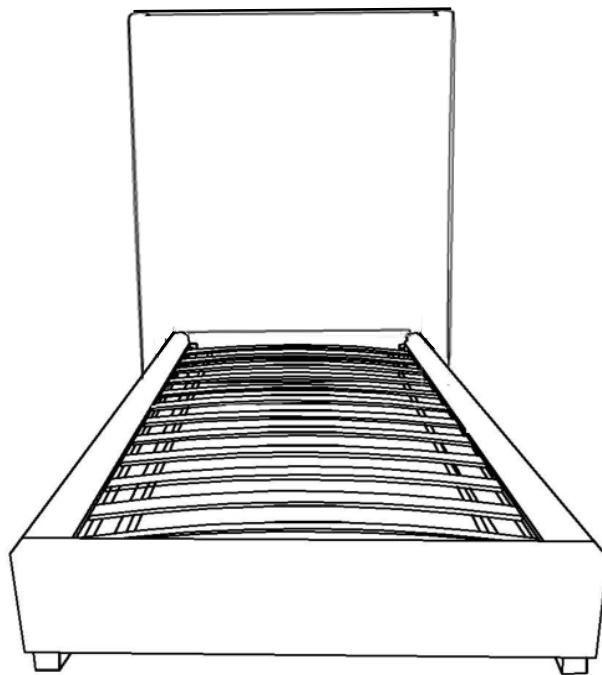


**Delilah Bed**  
**Twin Size**

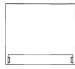

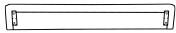
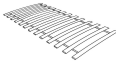

# **DELILAH**

---





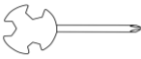

## **ASSEMBLY INSTRUCTIONS**



## PARTS LIST

LABEL	PICTURE	DESCRIPTION	QTY
<b>A</b>		<b>HEADBOARD</b>	<b>1</b>
<b>B</b>		<b>RAIL</b>	<b>2</b>
<b>C</b>		<b>FOOTBOARD</b>	<b>1</b>
<b>D</b>		<b>SLAT</b>	<b>1</b>
<b>E</b>		<b>BED LEG</b>	<b>4</b>

## HARDWARE

LABEL	PICTURE	DESCRIPTION	QTY
<b>F</b>		Slat Bolt M8*30MM	<b>4</b>
<b>G</b>		<b>Spring Washer</b>	<b>8</b>
<b>H</b>		<b>Metal Gasket</b>	<b>8</b>
<b>I</b>		Bed Leg Bolt M8*30MM	<b>8</b>
<b>J</b>		<b>Wrench</b>	<b>1</b>
<b>K</b>		<b>Wrench</b>	<b>1</b>

## BEFORE BEGINNING ASSEMBLY:



*Read instructions cover to cover*



*Have two adults on hand for assembly*



*Do NOT assemble on flooring or carpet. Assemble on a clean non-marring surface (ex: packing foam)*



*Save all packaging until assembly is completed*

*Need a part? Call TOV at 516-888-3355 or email [service@tovfurniture.com](mailto:service@tovfurniture.com)*

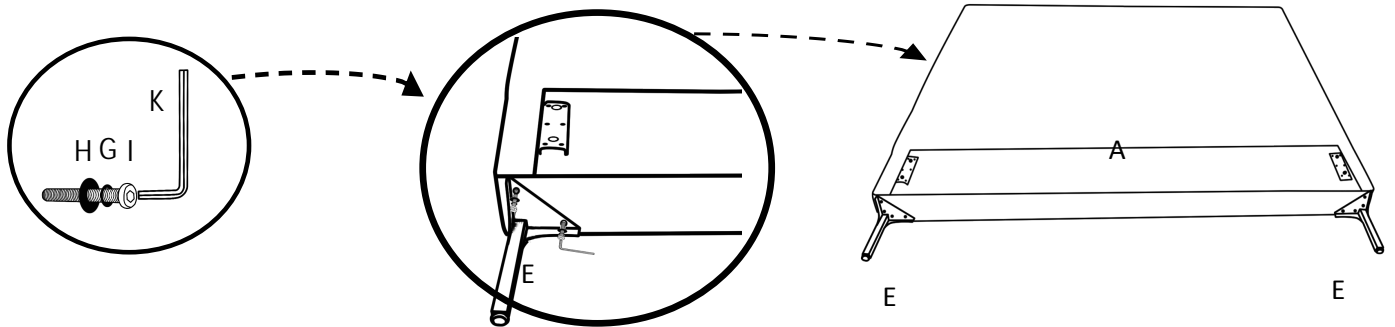
---

## ASSEMBLY STEPS

---

### STEP 1

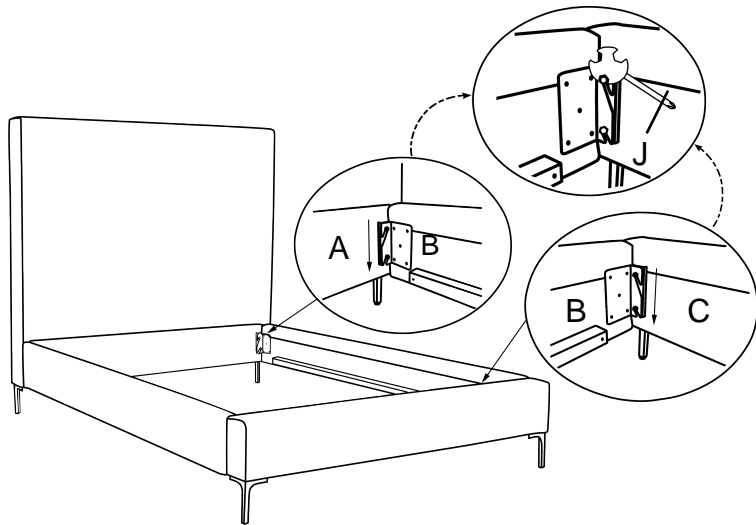
Attached the bed legs and ensure all legs are securely attached.



# ASSEMBLY STEPS

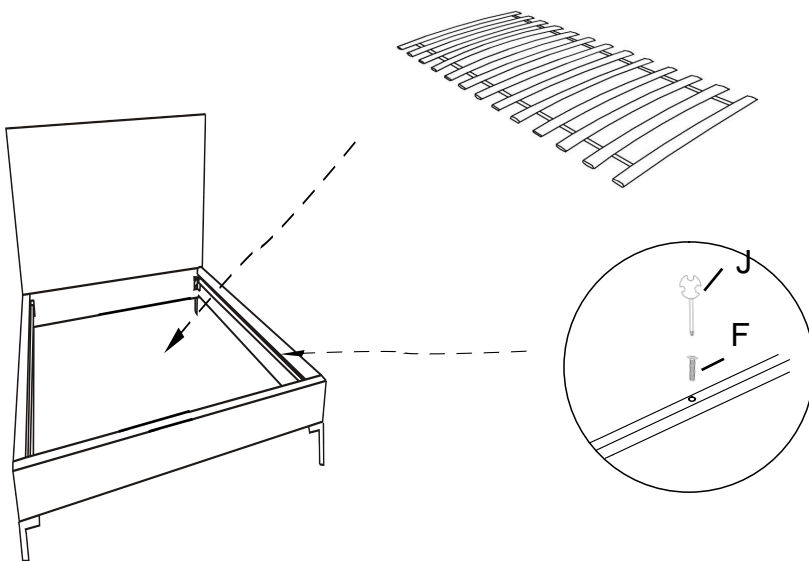
## STEP 2

Attach the side rails to the headboard and footboard using the pre attached hardware. Once the bed is assembled, tighten all bolts securely.



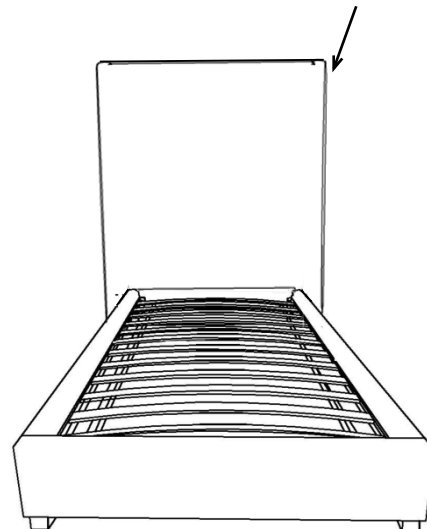
## STEP 3

Position the slat frames inside the bed and secure them using the slat bolts. Use the included wrench to tighten them.



## STEP 4

Assembly is complete.



## **CARE & MAINTENANCE**



**Do not put hot items directly on furniture surface.**



**Do not clean furniture with harsh cleansers or polish.**



**Dust and pick up spills using a clean, non-colored, lint-free cloth.**



**Stains may be removed with a mild soap solution and a damp cloth.**



**Do not place furniture under direct sunlight.**



**Do not place furniture near heating or cooling vents.**



**Do not write on furniture without a padded barrier to protect the surface.**



**Do not place furniture outside, for indoor use only.**