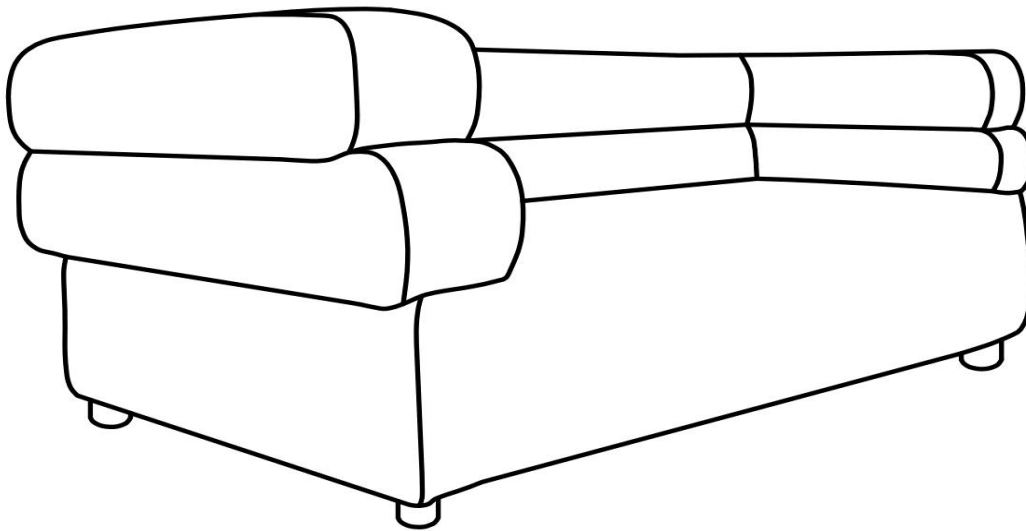


Elsa Sofa

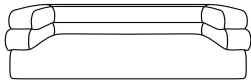
# **ELSA**

---

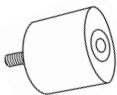
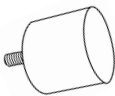
## **ASSEMBLY INSTRUCTIONS**



## PARTS LIST

LABLE	PICTURE	DESCRIPTION	QTY
A		Sofa Body	1

## HARDWARE

LABLE	PICTURE	DESCRIPTION	QTY
B		Side legs	4
C		Middle leg	1

### BEFORE BEGINNING ASSEMBLY:



*Read instructions cover to cover*



*Have two adults on hand for assembly*



*DO NOT assemble on flooring or carpet. Assemble on a clean non-marring surface(ex: packing foam)*

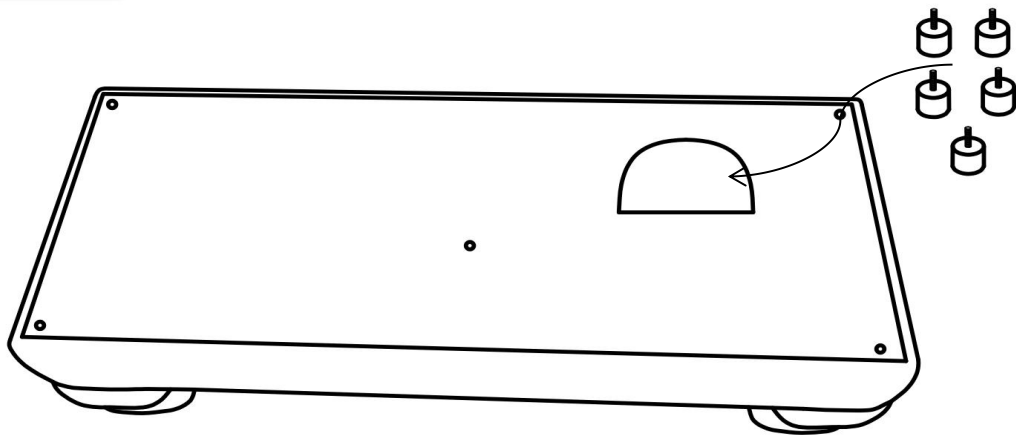


*Save all packaging until assembly is completed*

*Need a part? Call TOV at 516-888-3355 or email [service@tovfurniture.com](mailto:service@tovfurniture.com)*

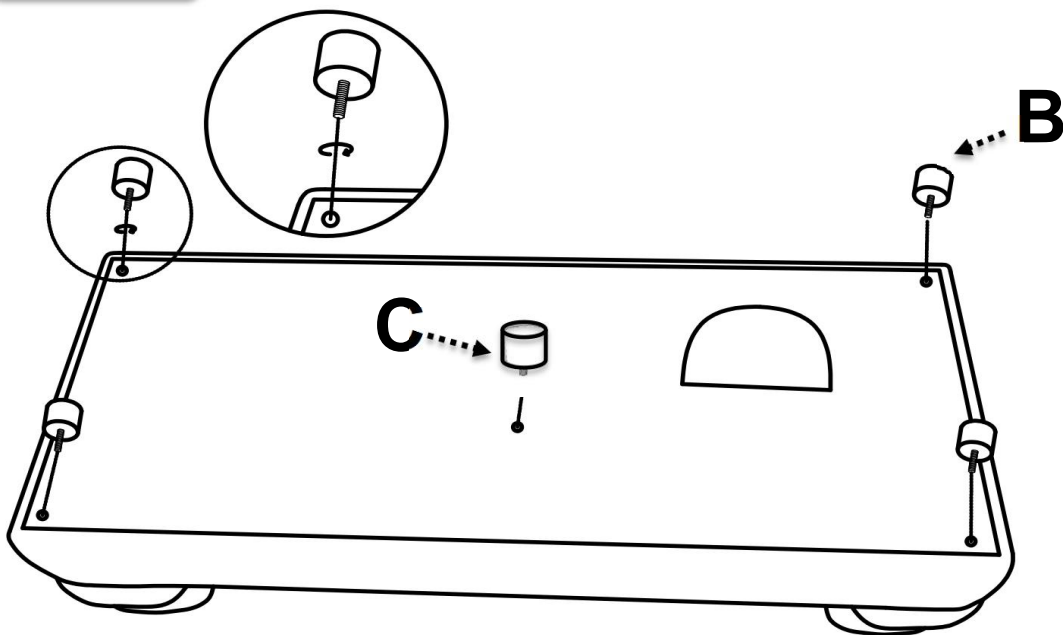
# ASSEMBLY STEPS

## STEP 1



> Position the product as shown and remove the legs from the zippered compartment

## STEP 2



> Attach the legs by screwing them in clockwise and assembly is complete

# CARE & MAINTENANCE



Do not put hot items directly on furniture surface



Do not clean furniture with harsh cleansers or polish.



Dust and pick up spills using a clean, non-colored, lint-free cloth.



Stains may be removed with a mild soap solution and a damp cloth.



Do not place furniture under direct sunlight.



Do not place furniture near heating or cooling vents.



Do not write on furniture without a padded barrier to protect the surface.



Do not place furniture outside, for indoor use only.