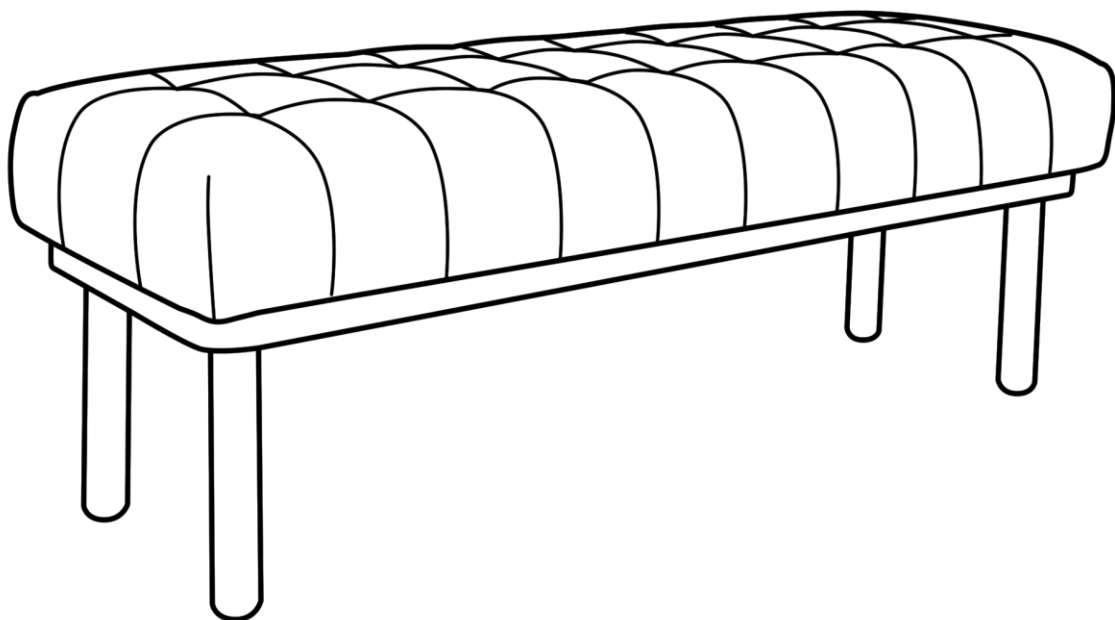


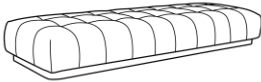
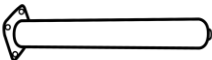
Olivia Bench

Olivia Bench





ASSEMBLY INSTRUCTIONS



PARTS LIST

LABLE	PICTURE	DESCRIPTION	QTY
A		Bench Seat	1
B		Legs	4

HARDWARE

LABLE	PICTURE	DESCRIPTION	QTY
C		Screw M8*30	12
D		Spring Washer	12
E		Washer	12
F		Allen Key	1

BEFORE BEGINNING ASSEMBLY:



Read instructions cover to cover



Have two adults on hand for assembly



DO NOT assemble on flooring or carpet. Assemble on a clean non-marring surface(ex: packing foam)

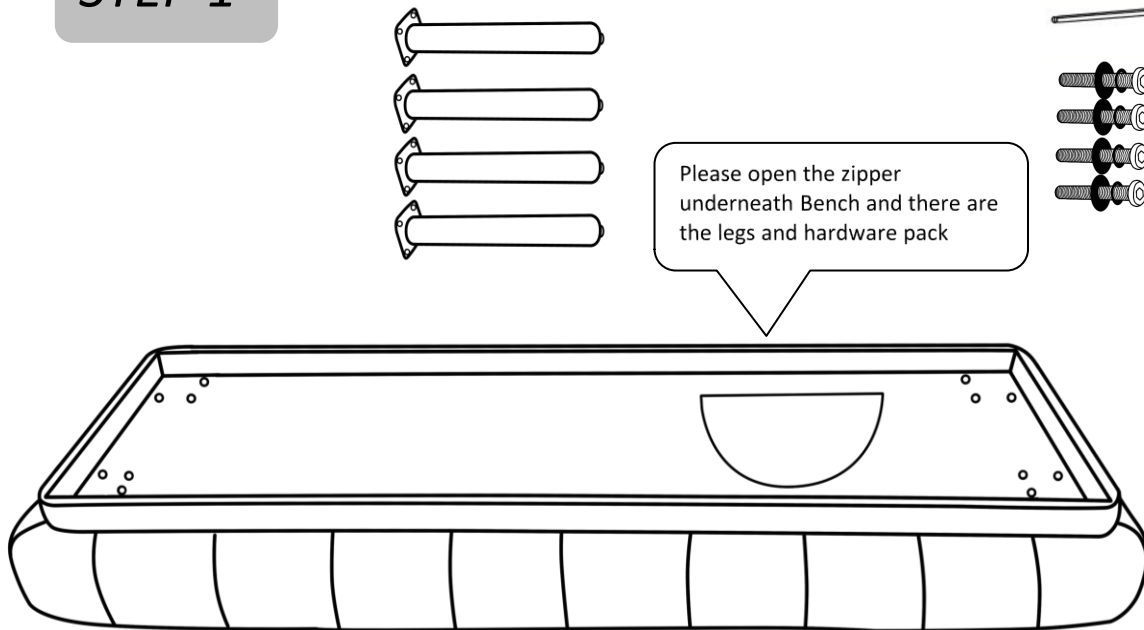


Save all packaging until assembly is completed

Need a part? Call TOV at 516-888-3355 or email service@tovfurniture.com

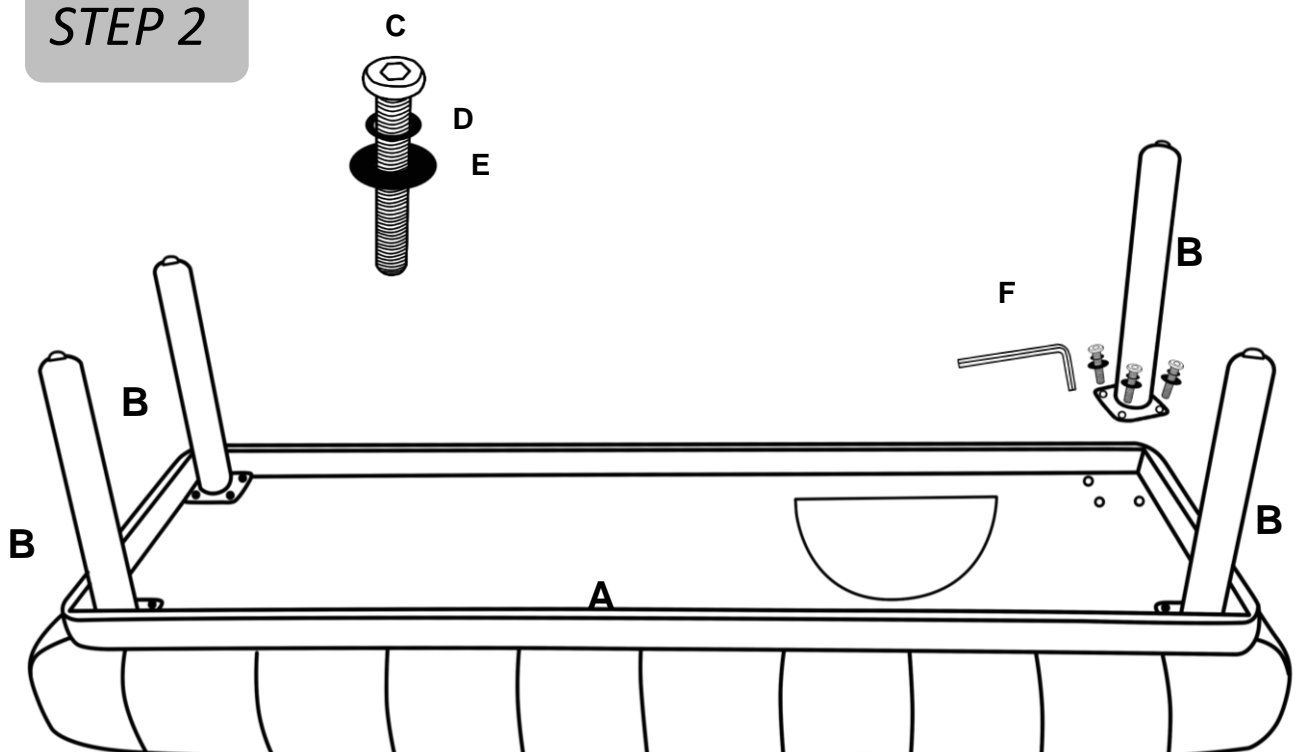
ASSEMBLY STEPS

STEP 1



- › Position the product on its bottom as shown
- › Open the zippered compartment to remove the legs and hardware

STEP 2



- › Attach the four legs(B) to the Bench Seat (A) with the included hardware, and tighten all screws. Assembly is complete

CARE & MAINTENANCE



Do not put hot items directly on furniture surface



Do not clean furniture with harsh cleansers or polish.



Dust and pick up spills using a clean, non-colored, lint-free cloth.



Stains may be removed with a mild soap solution and a damp cloth.



Do not place furniture under direct sunlight.



Do not place furniture near heating or cooling vents.



Do not write on furniture without a padded barrier to protect the surface.



Do not place furniture outside, for indoor use only.