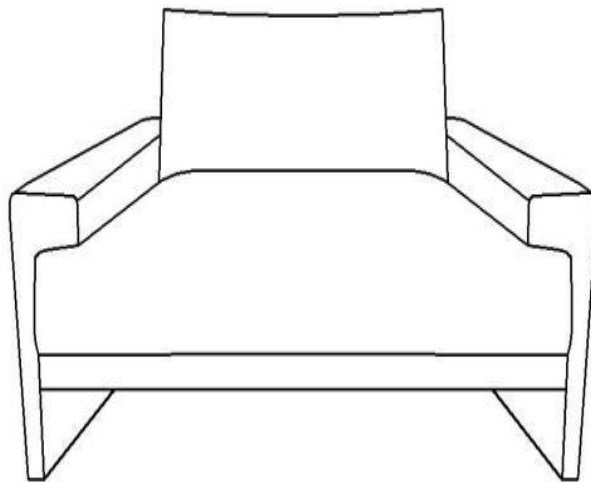






Maeve Accent Chair

MAEVE

ASSEMBLY INSTRUCTIONS



PARTS LIST

LABLE	PICTURE	DESCRIPTION	QTY
A		Chair Body	1
B		Back Cushion for Chair	1

BEFORE BEGINNING ASSEMBLY:



Read instructions cover to cover



Have two adults on hand for assembly



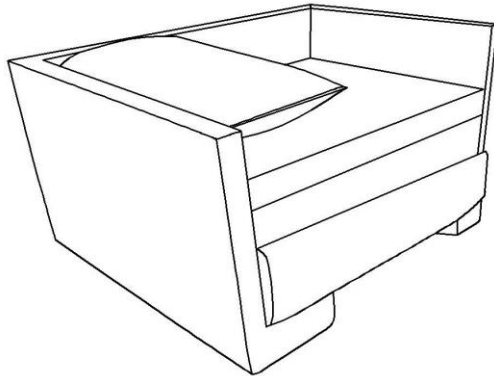
DO NOT assemble on flooring or carpet. Assemble on a clean non-marring surface(ex: packing foam)



Save all packaging until assembly is completed

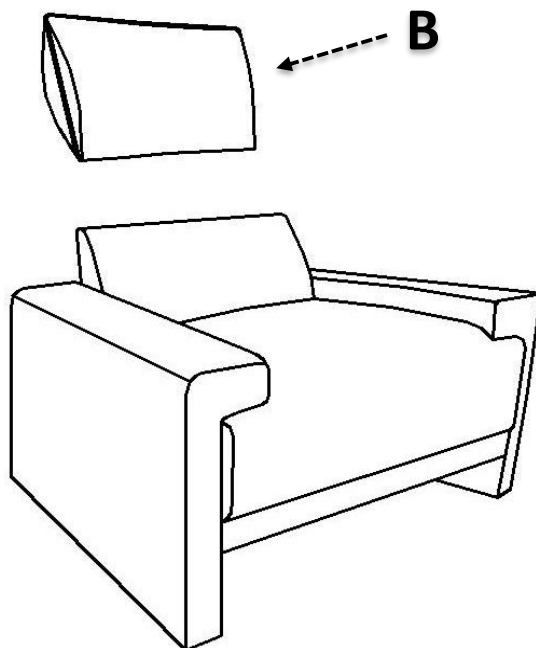
ASSEMBLY STEPS

STEP 1



> Find the back cushion on the bottom of the Loveseat and Chair product.

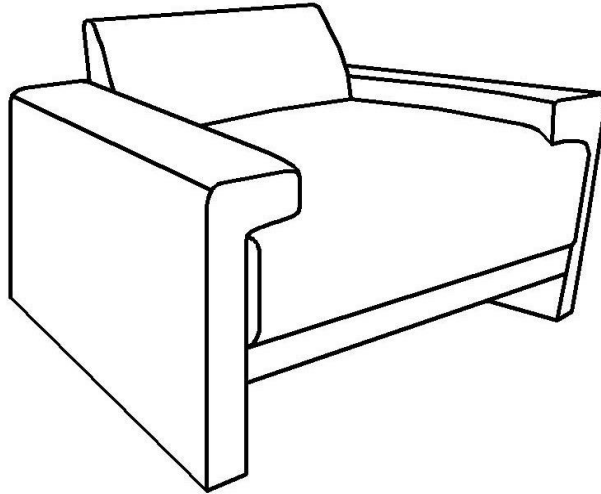
STEP 2



> Place the back cushions on the Loveseat and accent chair.

ASSEMBLY STEPS

STEP 3



> ASSEMBLY COMPLETED.

CARE & MAINTENANCE



Do not put hot items directly on furniture surface



Do not clean furniture with harsh cleansers or polish.



Dust and pick up spills using a clean, non-colored, lint-free cloth.



Stains may be removed with a mild soap solution and a damp cloth.



Do not place furniture under direct sunlight.



Do not place furniture near heating or cooling vents.



Do not write on furniture without a padded barrier to protect the surface.



Do not place furniture outside, for indoor use only.