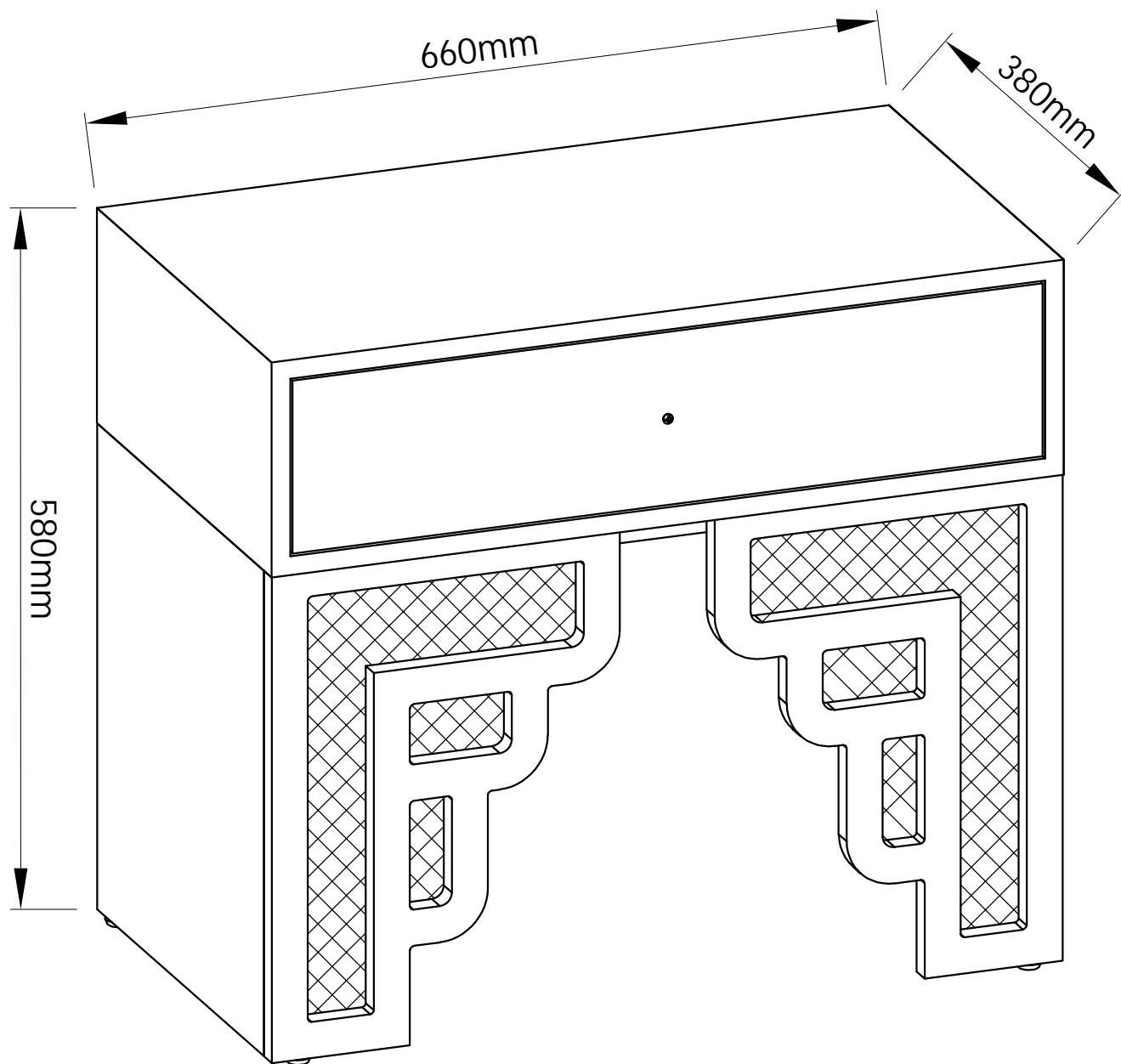


ASSEMBLY INSTRUCTIONS

SUZIE RATTAN CONSOLE



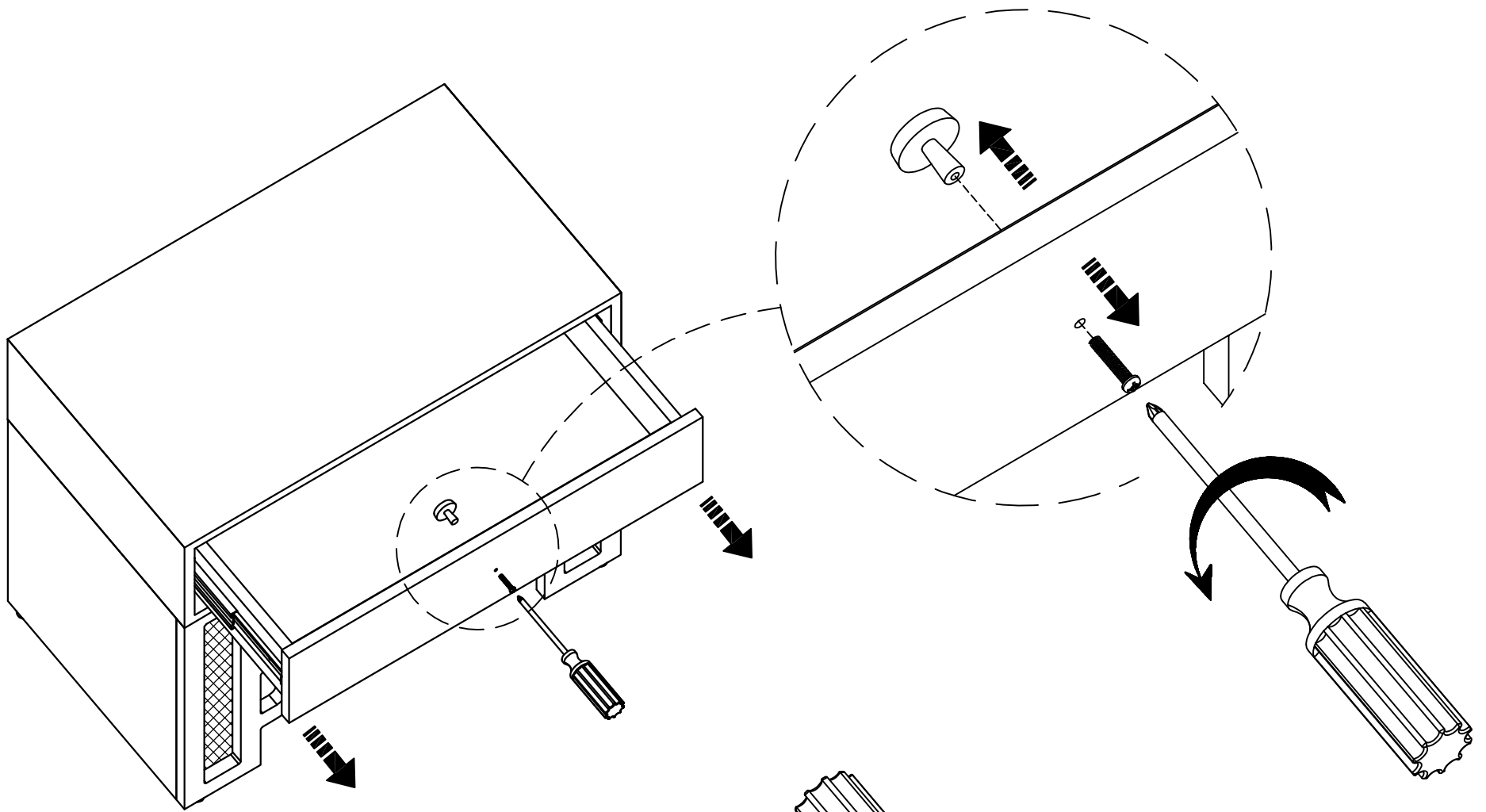
SUZIE RATTAN NIGHTSTAND

ASSEMBLY INSTRUCTIONS

SUZIE RATTAN CONSOLE

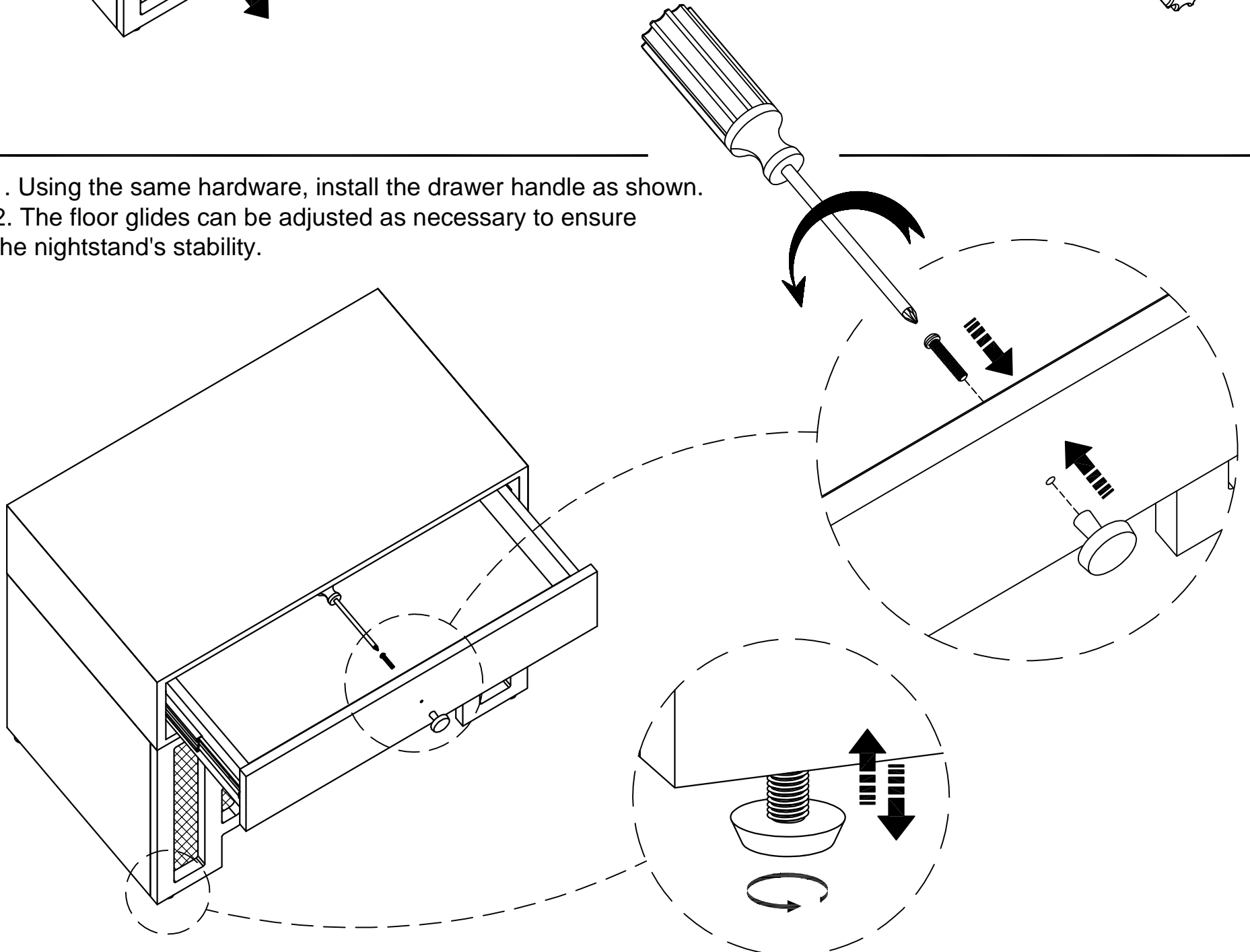
STEP 1

1. Open the drawer.
2. Unscrew the drawer handle as illustrated.



STEP 2

1. Using the same hardware, install the drawer handle as shown.
2. The floor glides can be adjusted as necessary to ensure the nightstand's stability.



CARE & MAINTENANCE



Do not put hot items directly on furniture surface.



Do not clean furniture with harsh cleansers or polish



Dust and wipe up spills using a clean, non-colored, lint-free cloth.



Stains may be removed with a mild soap solution and a damp cloth.



Do not place furniture under direct sunlight.



Do not place furniture near heating or cooling vents.



Do not write on furniture without a padded barrier to protect the surface.



Do not place furniture outside, for indoor use only.

"Need a part? Call TOV at 516-888-3355 or email service@tovfurniture.com"