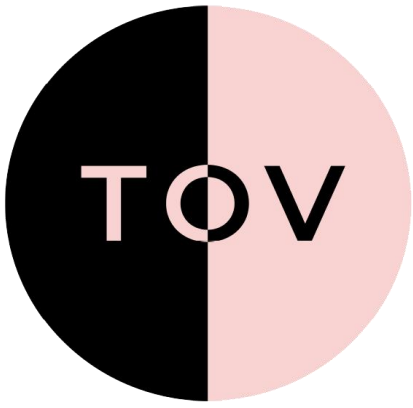


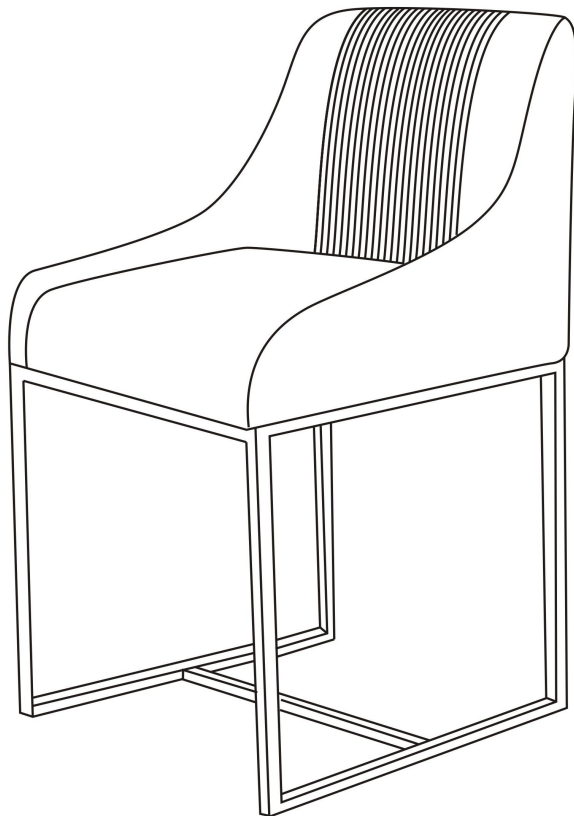
## Lisa Dining Chair



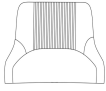
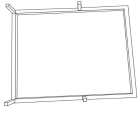


# **LISA**

---


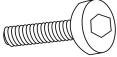
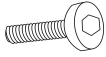
## **ASSEMBLY INSTRUCTIONS**



# PARTS LIST

LABLE	PICTURE	DESCRIPTION	QTY
A		Dining Chair Seat	1
B		Legs	2
C		Front and Back Bar	2
D		Support Bar	1

# HARDWARE

LABLE	PICTURE	DESCRIPTION	QTY
E		Wrench	1
F		Screw (M6*16mm)	4
G		Screw (M6*12mm)	12

## BEFORE BEGINNING ASSEMBLY:



*Read instructions cover to cover*



*Have two adults on hand for assembly*



*DO NOT assemble on flooring or carpet. Assemble on a clean non-marring surface(ex: packing foam)*

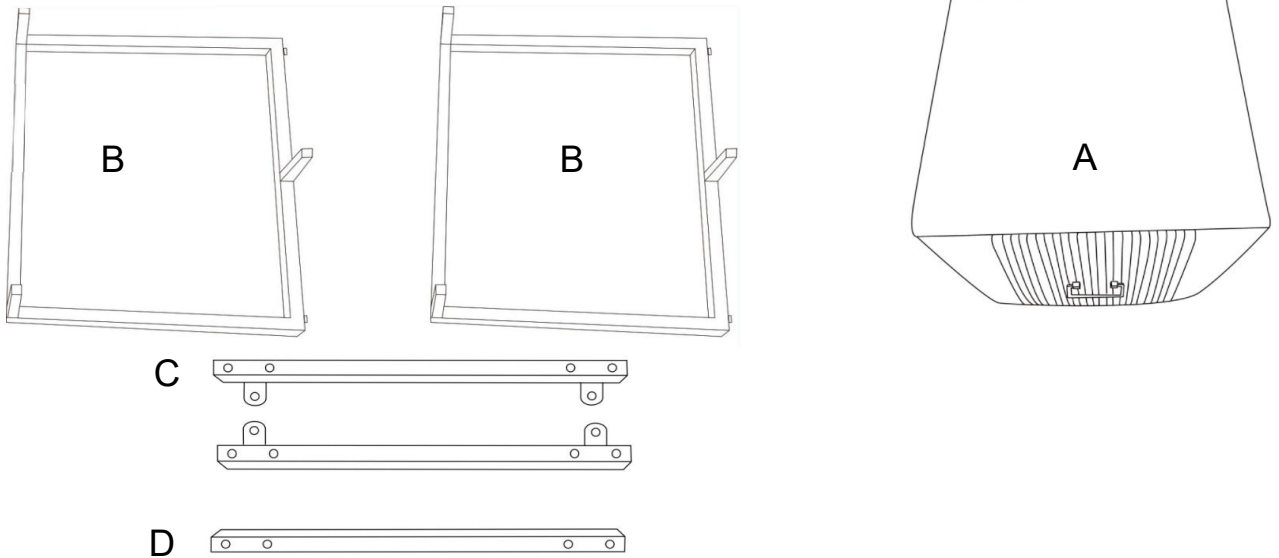


*Save all packaging until assembly is completed*

*Need a part? Call TOV at 516-888-3355 or email [service@tovfurniture.com](mailto:service@tovfurniture.com)*

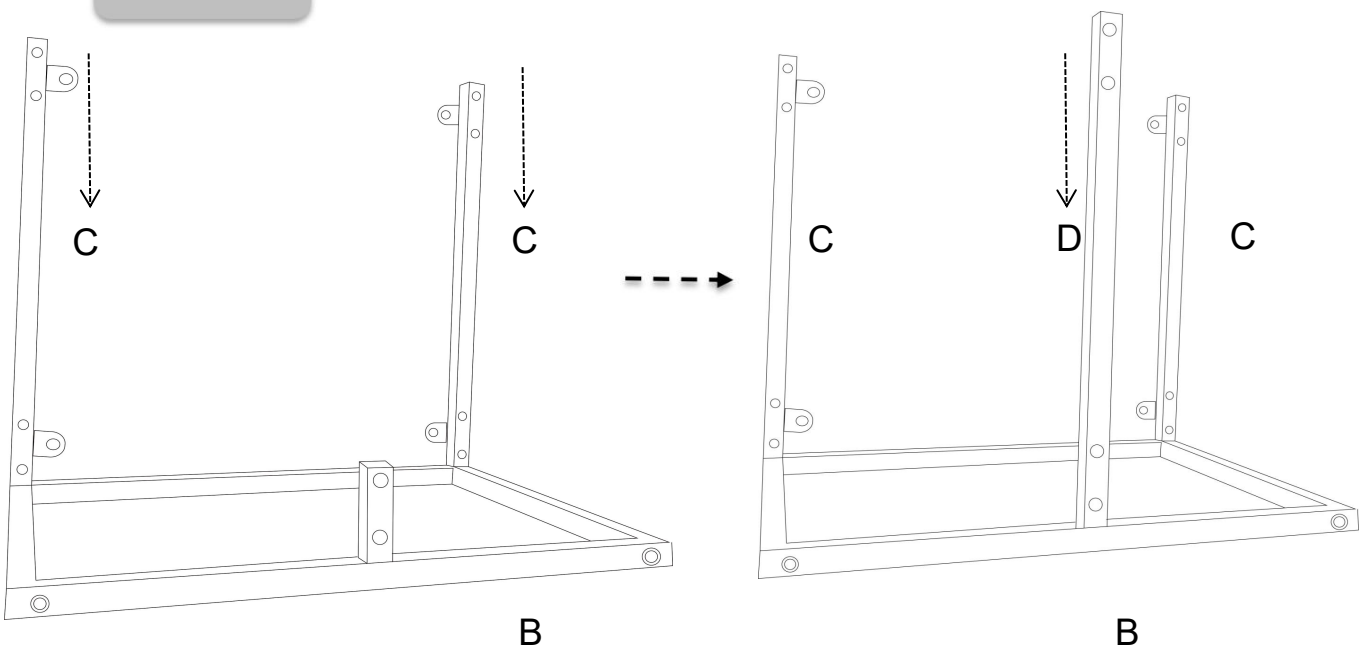
# ASSEMBLY STEPS

## STEP 1



> Position the seat and base components as shown, and prepare to assemble the base per step 2 below

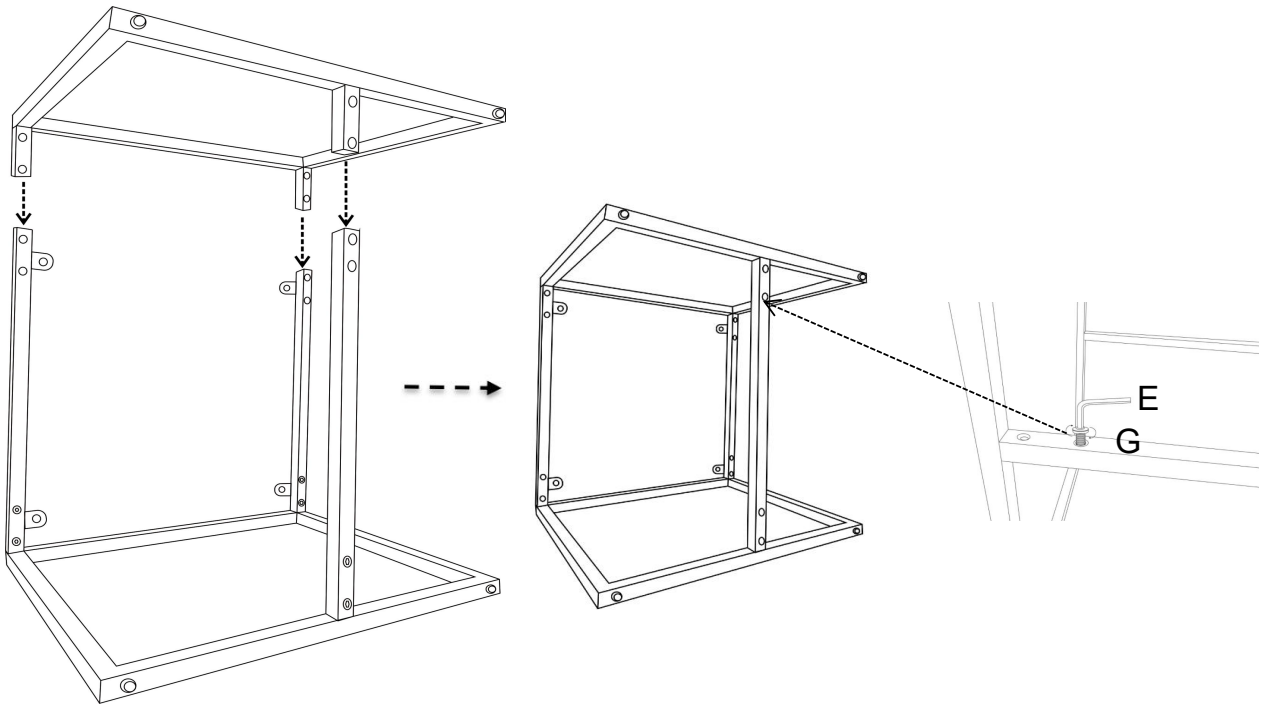
## STEP 2



- 1> Position the leg B side up.
- 2> Assemble the leg B and Front and Back Bars C as shown.
- 3> Assemble the leg B and Support Bars D as shown.

# ASSEMBLY STEPS

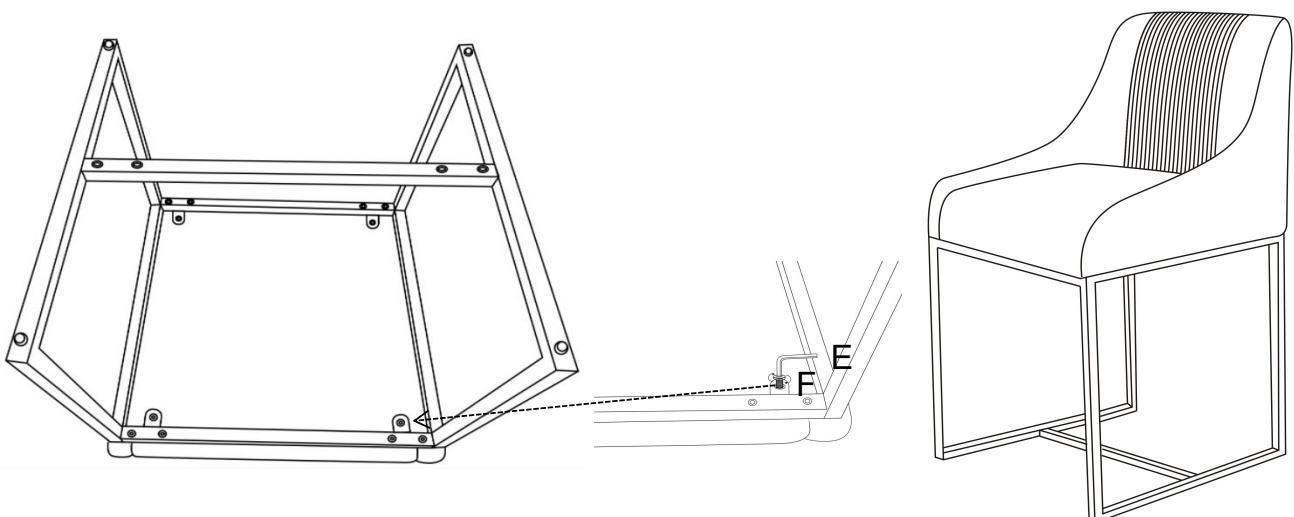
## STEP 3



4> Assemble the leg B on the base as shown.

5> Use the wrench to tighten the 16 screws G clockwise into the predrilled holes to secure the base.

## STEP 4



> Use the wrench to tighten the 4 screws F clockwise into the predrilled holes to connect the chair body.

> Position the assembled dining chair upright. Now assembly is complete.

## CARE & MAINTENANCE



Do not put hot items directly on furniture surface



Do not clean furniture with harsh cleansers or polish.



Dust and pick up spills using a clean, non-colored, lint-free cloth.



Stains may be removed with a mild soap solution and a damp cloth.



Do not place furniture under direct sunlight.



Do not place furniture near heating or cooling vents.



Do not write on furniture without a padded barrier to protect the surface.



Do not place furniture outside, for indoor use only.