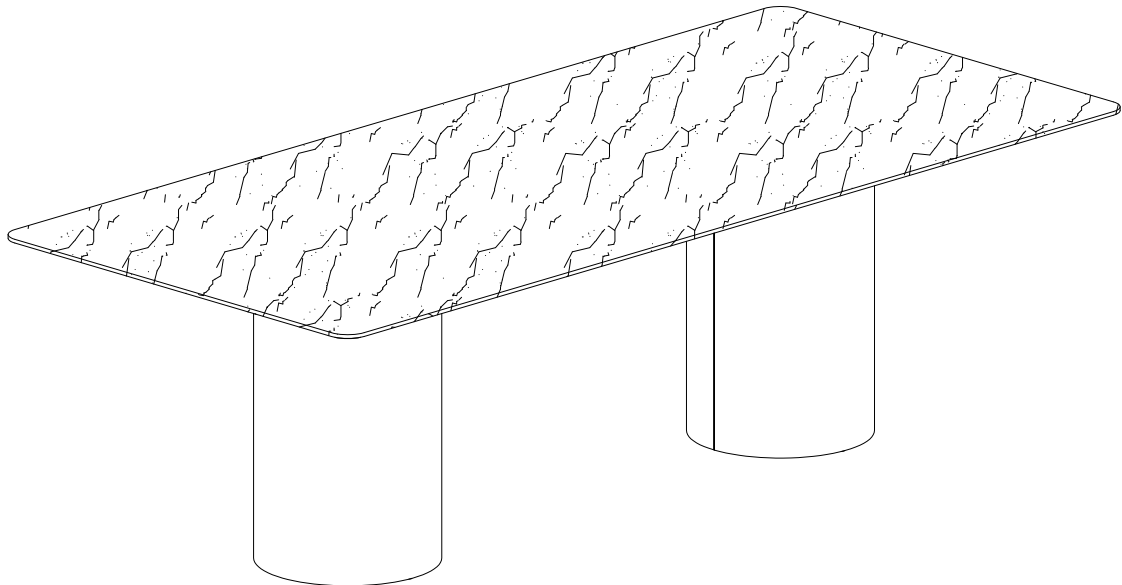


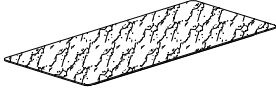
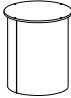
Tamara Ceramic Rectangular Dining Table

TAMARA


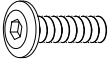

ASSEMBLY INSTRUCTIONS



PARTS LIST

LABEL	PICTURE	DESCRIPTION	QTY
A		Top	1
B		Legs	2

HARDWARE

LABEL	PICTURE	DESCRIPTION	QTY
C		Allen Key Ø4	1
D		Screw M6*25	8
E		Flat Washer Ø16-Ø6*1.5	8

BEFORE BEGINNING ASSEMBLY:



Read instructions cover to cover



Have two adults on hand for assembly



Do NOT assemble on flooring or carpet. Assemble on a clean non-marring surface (ex: packing foam)



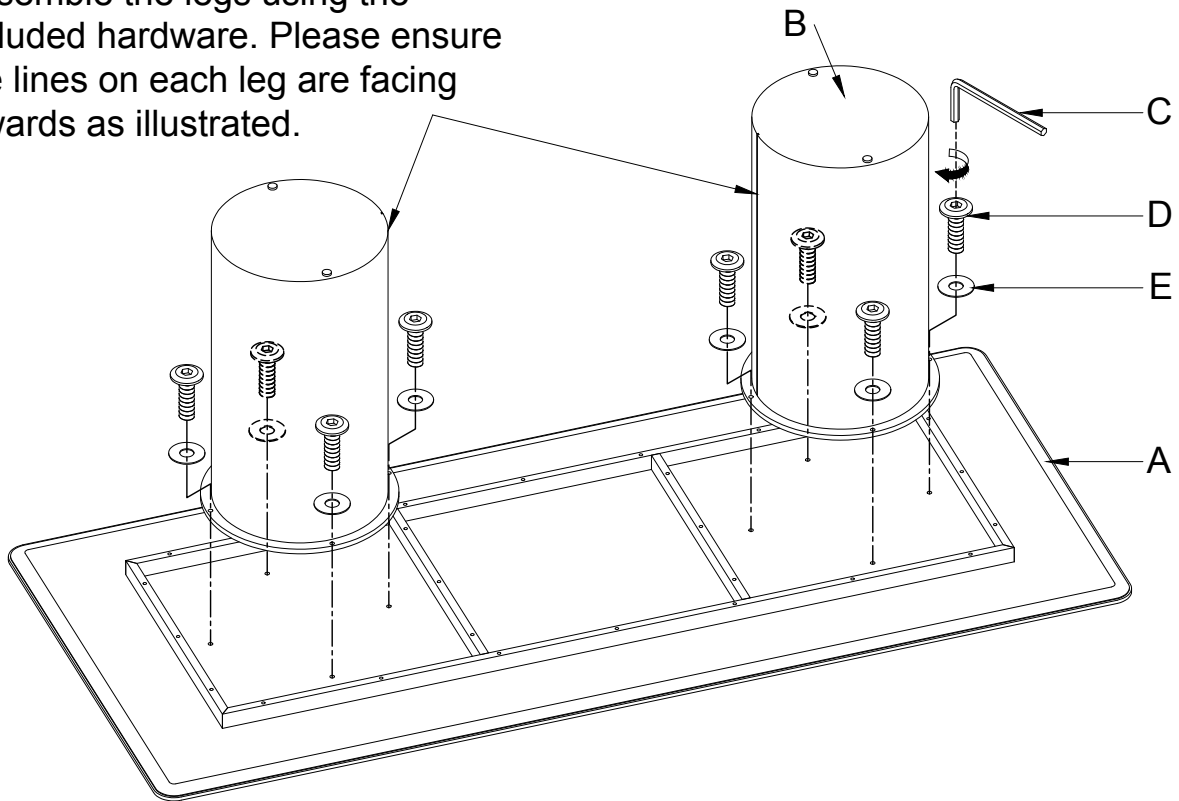
Save all packaging until assembly is completed

Need a part? Call TOV at 516-888-3355 or email service@tovfurniture.com

ASSEMBLY STEPS

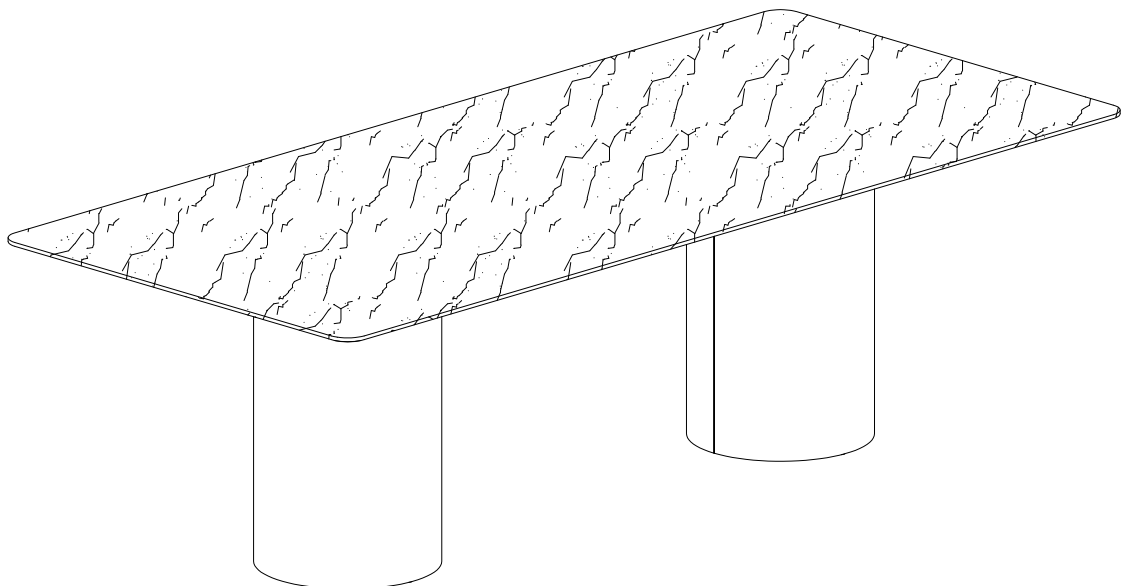
STEP 1

Assemble the legs using the included hardware. Please ensure the lines on each leg are facing inwards as illustrated.



STEP 2

Set the table upright, assembly is now complete.



CARE & MAINTENANCE



Do not put hot items directly on furniture surface.



Do not clean furniture with harsh cleansers or polish.



Dust and wipe up spills using a clean, non-colored, lint-free cloth.



Stains may be removed with mild soap solution and damp cloth.



Do not place furniture under direct sunlight.



Do not place furniture near heating or cooling vents.



Do not write on furniture without a padded barrier to protect the surface.



Do not place furniture outside. For indoor use only.