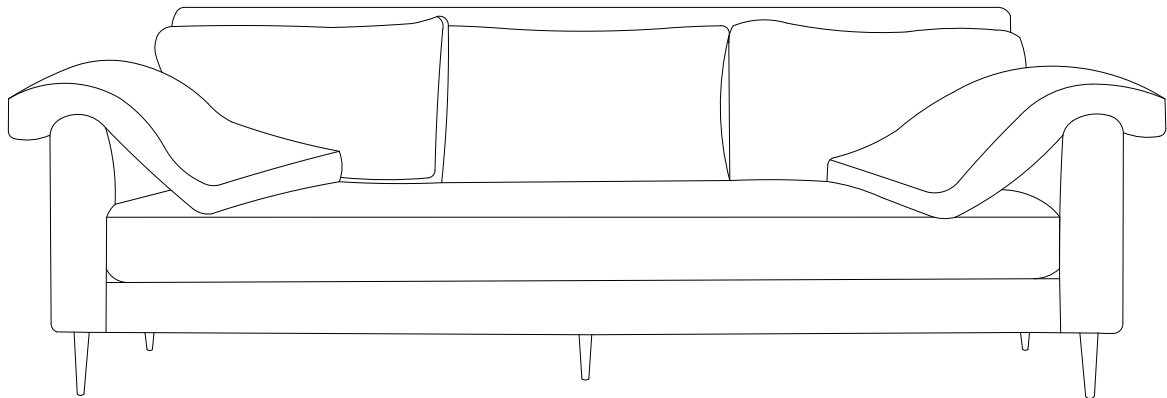


# VARI

---

## ASSEMBLY INSTRUCTIONS



## BEFORE BEGINNING ASSEMBLY:



Read instructions cover to cover



Have two adults on hand for assembly



DO NOT assemble on flooring or carpet. Assemble on a clean non-marring surface (ex: packing foam)



Save all packaging until assembly is completed

## CARE & MAINTENANCE



Do not put hot items directly on furniture surface.



Do not clean furniture with harsh cleansers or polish.



Dust and pick up spills using a clean, non-colored, lint-free cloth.



Stains may be removed with mild soap solution and a damp cloth.



Do not place furniture under direct sunlight.



Do not place furniture near heating or cooling vents.



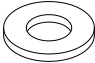


Do not write on furniture without a padded barrier to protect the surface.



Do not place furniture outside, for indoor use only.

## PARTS LIST & HARDWARE LIST

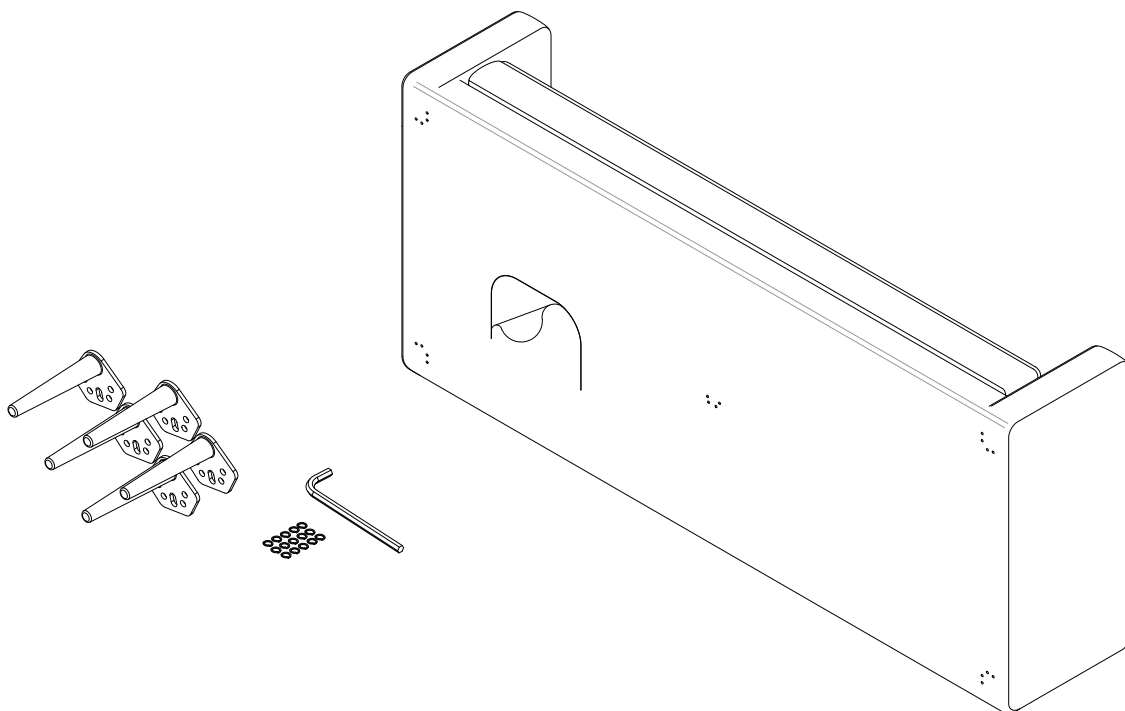
LABEL	PICTURE	DESCRIPTION	QTY
A		Sofa	1
B		Back Cushion	1
C		Seat Cushion	1
D		Pillows	5
E		Legs	5
F		Lock Washer M6	15

G		Flat Washer M1/4*19*1.8mm	15
H		Allen Head Bolt M1/4*30mm	15
I		Allen Wrench 4	1

## ASSEMBLY STEPS

### STEP 1:

On a plain, non-abrasive surface, gently lay the sofa on its back. Unzip the pocket underneath the sofa and remove the legs and hardware from inside.



## STEP 2:

Underneath the sofa are holes with pre-installed threaded nuts that correspond to the holes on the mounting plate of the legs (B). Align and attach the legs (B) using the included Allen Head bolts (E) lock washers (C) and Flat Washers (D). Fully tighten all the bolts with the Allen Wrench (F).

