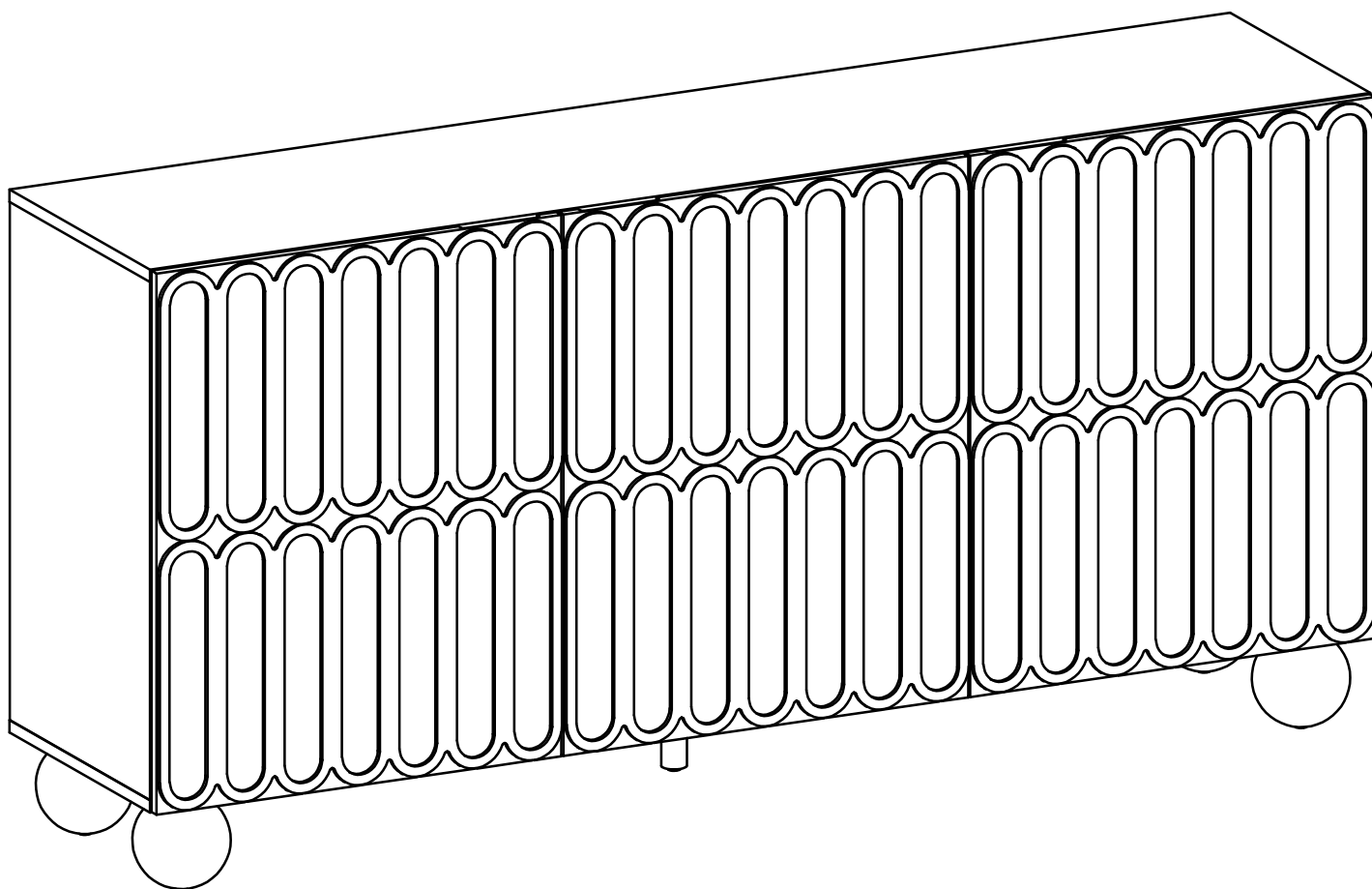
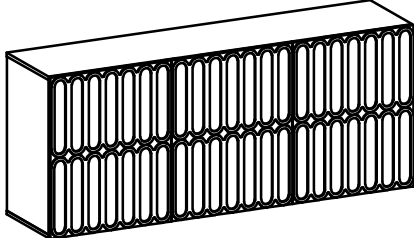
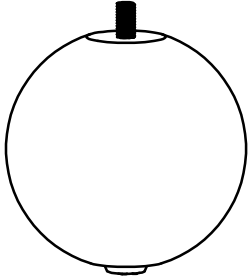



TORI

ASSEMBLY INSTRUCTIONS



TORI BUFFET

PART LIST			
LABEL	PICTURE	DESCRIPTIONS	QTY
A		CABINET	1
B		LEGS	4
C		CENTER LEG	1

BEFORE BEGINNING ASSEMBLY:



Read instructions cover to cover.



Have two adults on hand for assembly.



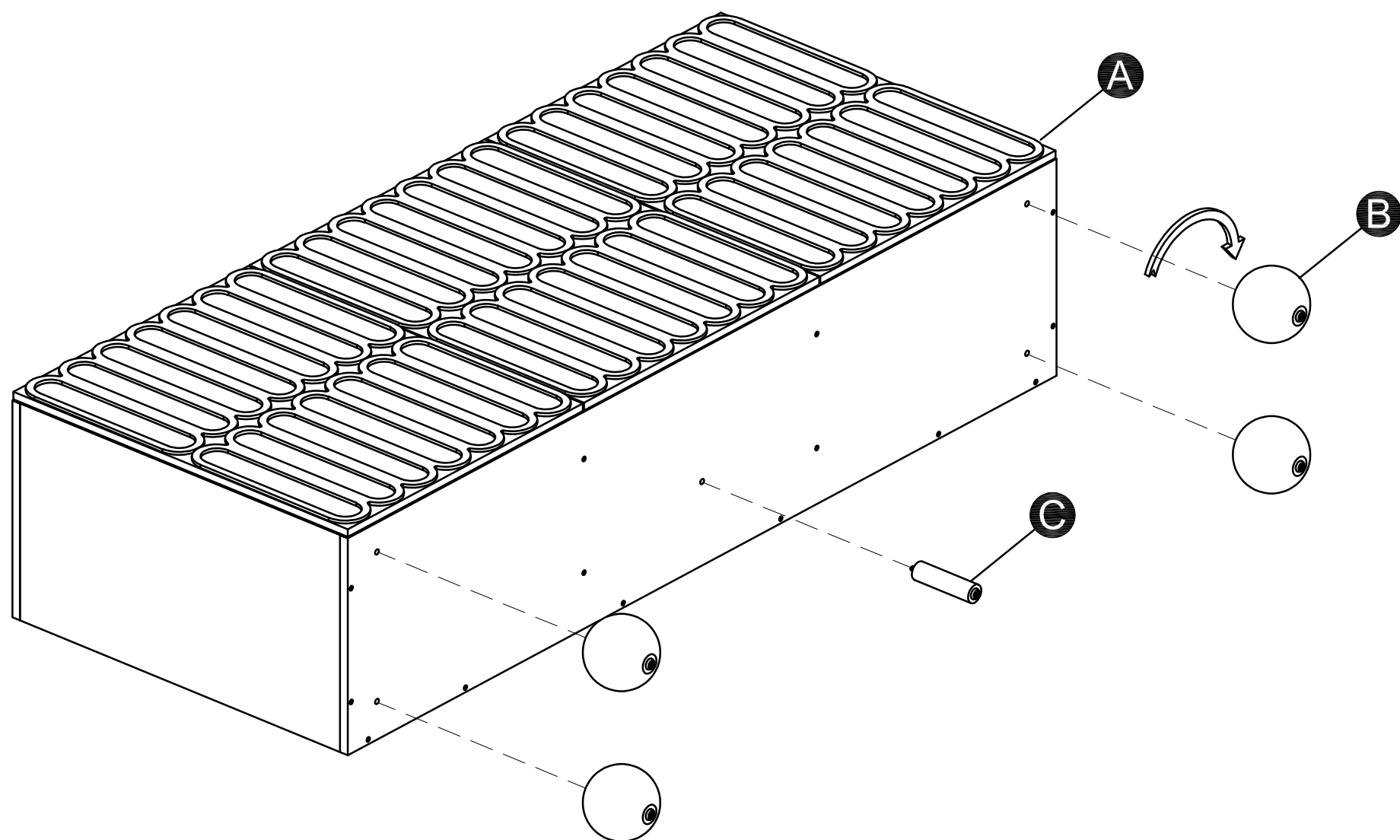
Do NOT assemble on flooring or carpet. Assemble on a clean non-marring surface (ex: packing foam).



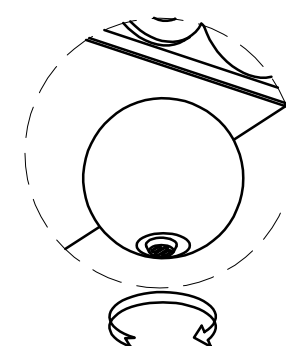
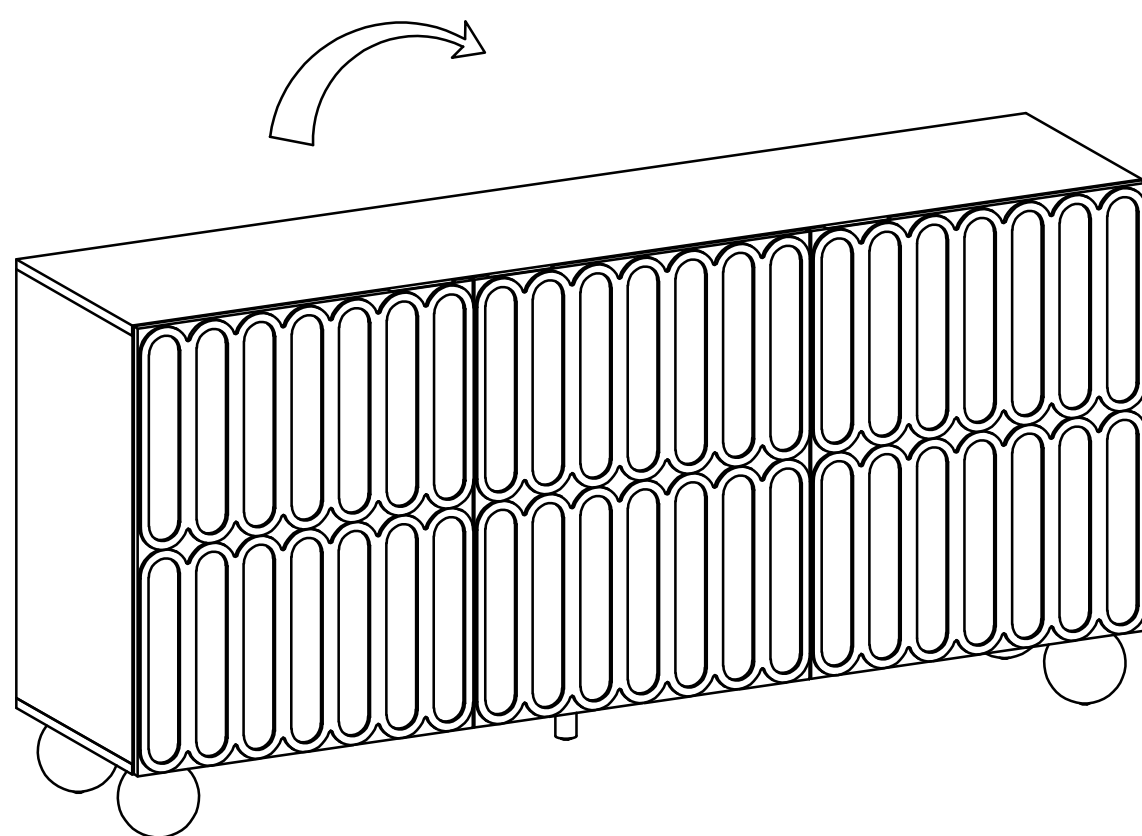
Save all packaging until assembly is completed.

TORI BUFFET

STEP 1 Install legs into the cabinet.

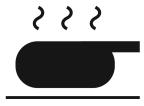


STEP 2 Flip up the cabinet.



Adjust leveler as needed

CARE & MAINTENANCE



Do not put hot items directly on furniture surface.



Do not clean furniture with harsh cleansers or polish



Dust and wipe up spills using a clean, non-colored, lint-free cloth.



Stains may be removed with a mild soap solution and a damp cloth.



Do not place furniture under direct sunlight.



Do not place furniture near heating or cooling vents.



Do not write on furniture without a padded barrier to protect the surface.



Do not place furniture outside, for indoor use only.

"Need a part? Call TOV at 516-888-3355 or
email service@tovfurniture.com"