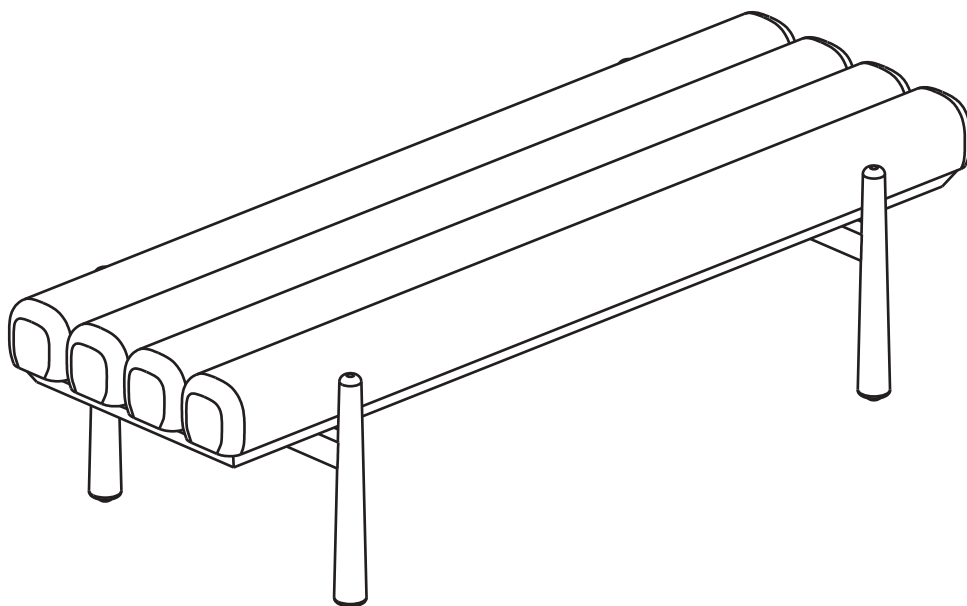


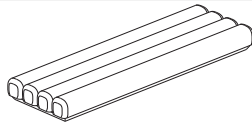
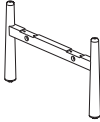
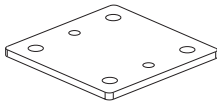
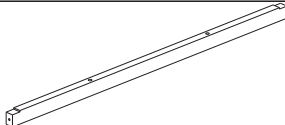
Julianna Heavy Linen Bench

JULIANNA


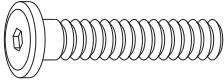
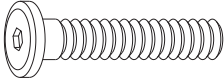

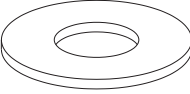

ASSEMBLY INSTRUCTIONS



PARTS LIST

LABEL	PICTURE	DESCRIPTION	QTY
A		Bench	1
B		Legs	2
C		Metal Brackets	4
D		Wood Braces	2

HARDWARE LIST

LABEL	PICTURE	DESCRIPTION	QTY
E		Bolts M6x25	8
F		Bolts M8x40	20
G		Bolts M8x60	4
H		Crush Washers	24
I		Washers	24
J		Allen Wrench	1

BEFORE BEGINNING ASSEMBLY:



Read instructions cover to cover



Have two adults on hand for assembly



DO NOT assemble on flooring or carpet. Assemble on a clean non-marring surface (ex: packing foam)

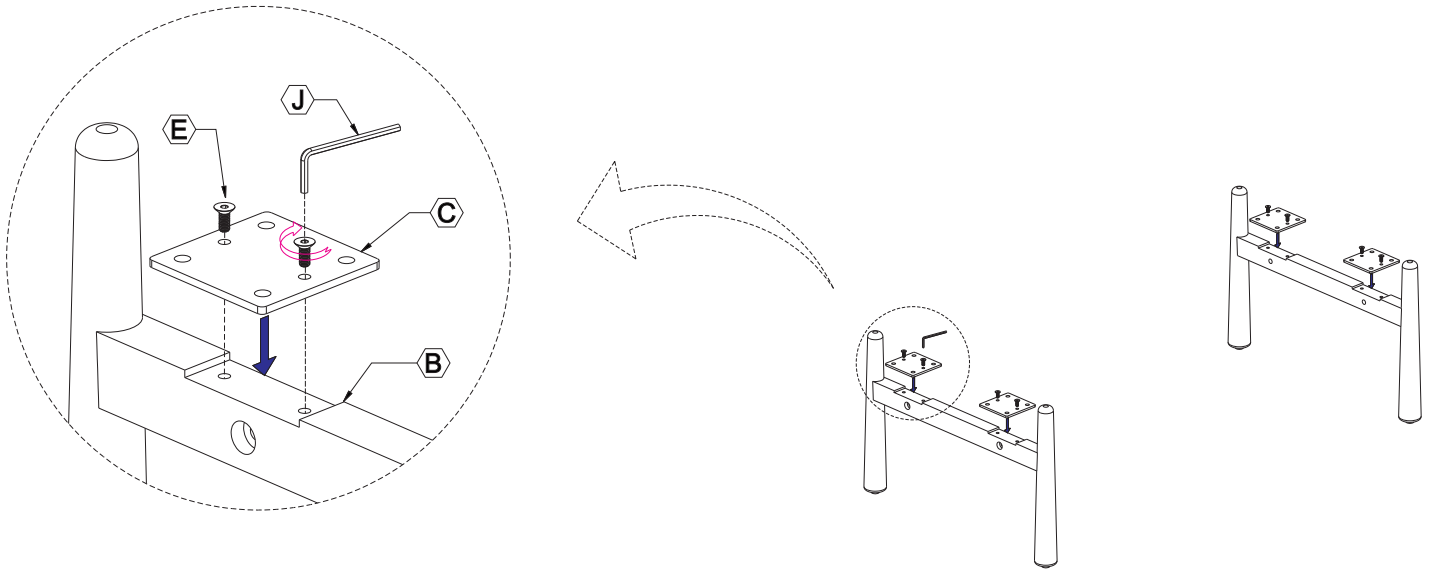


Save all packaging until assembly is completed

ASSEMBLY STEPS

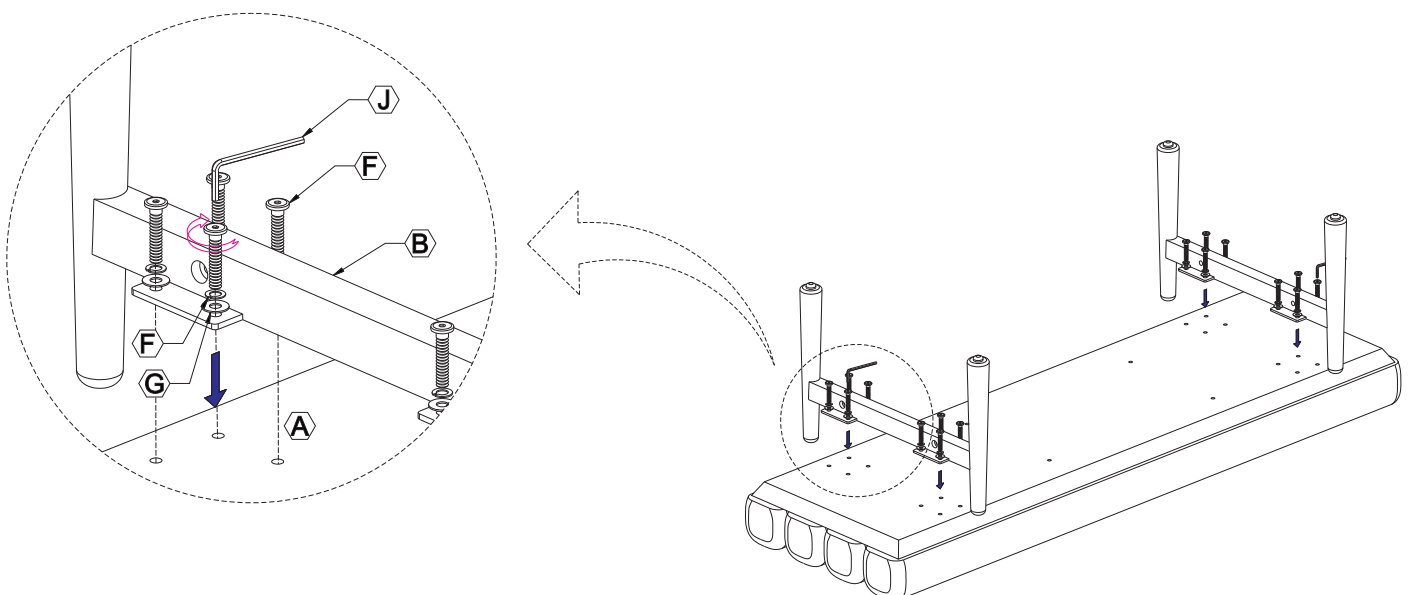
STEP 1:

Attach the metal brackets **C** into pre-drilled holes on the legs **B** using bolts **E**. Hand tighten and finish with Allen wrench **J**.



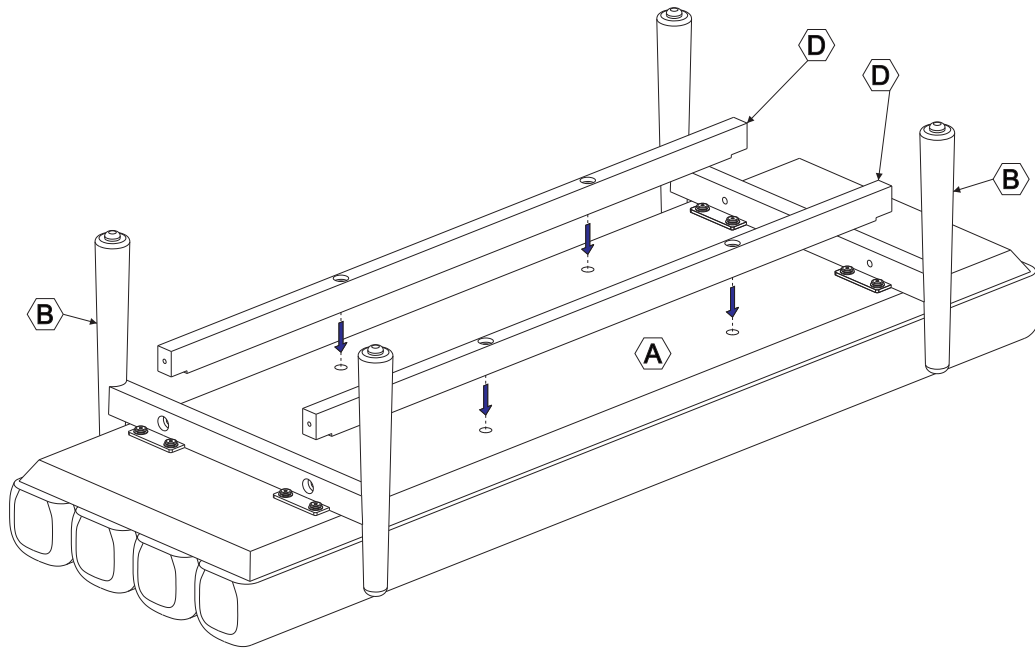
STEP 2:

Carefully place the bench with the top facing down on a soft surface. Underneath the bench are holes with pre-installed threaded nuts, attach the legs **B** into pre-drilled holes using bolts **F**, crush washers **H** and washers **I**. Hand tighten and finish with allen wrench **J**.



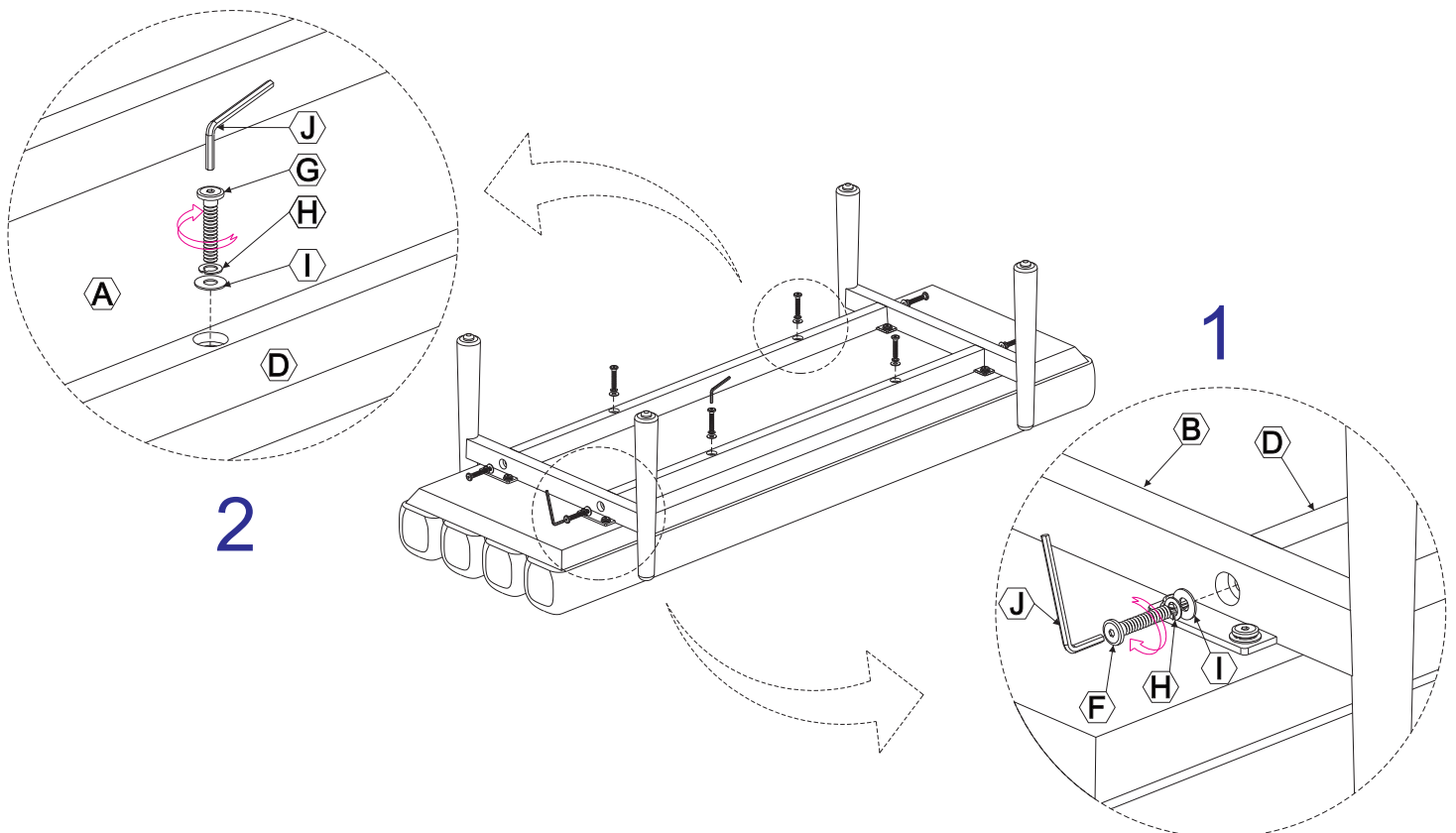
STEP 3:

Move the wood braces **D** into position to be assembled, Please see sketch.



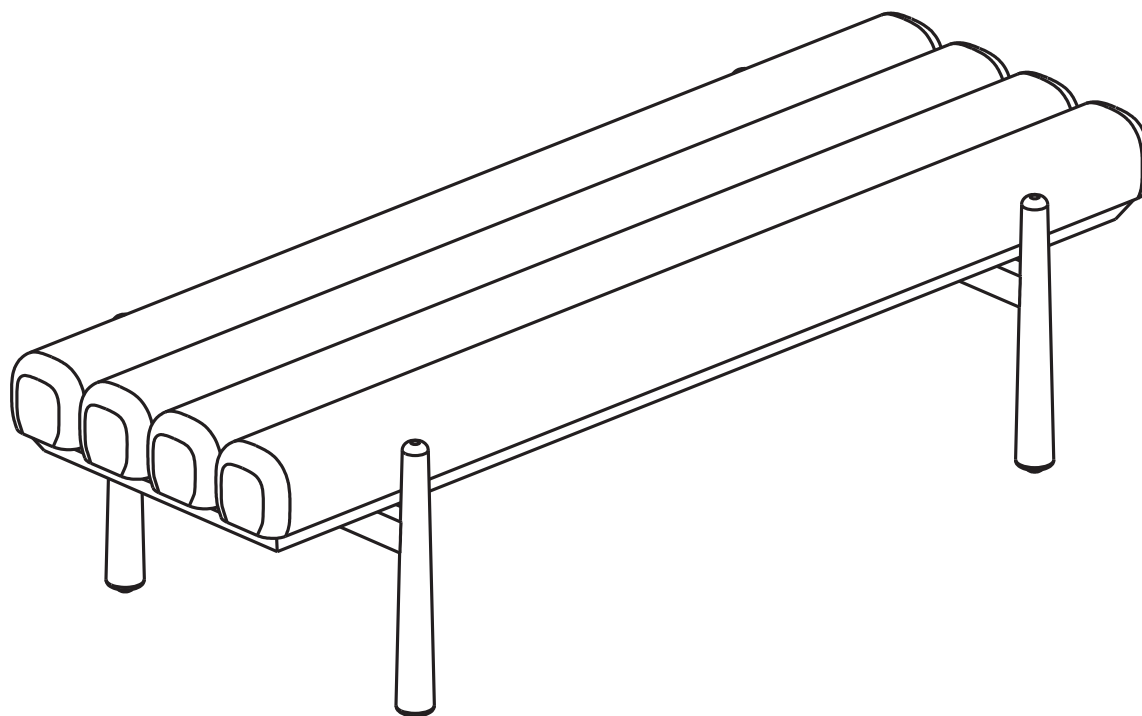
STEP 4:

1. Attach the wood braces **D** into pre-drilled holes on the legs **B** using bolts **F**, crush washers **H** and washers **I**. Hand tighten and finish with allen wrench **J**.
2. Attach the wood braces **D** into pre-drilled holes on the bench **A** using bolts **G**, crush washers **H** and washers **I**. Hand tighten and finish with allen wrench **J**.

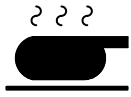


FINISHED:

Carefully place the bench upright. Enjoy your new Julianna bench !



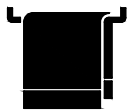
CARE & MAINTENANCE



Do not put hot items directly on furniture surface.



Do not clean furniture with harsh cleansers or polish.



Dust and pick up spills using a clean, non-colored, lint-free cloth.



Stains may be removed with a mild soap solution and a damp cloth.



Do not place furniture under direct sunlight.



Do not place furniture near heating or cooling vents.



Do not write on furniture without a padded barrier to protect the surface.



Do not place furniture outside, for indoor use only.