

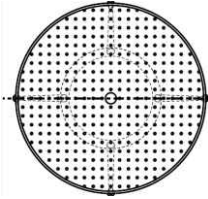

Erica Wrought Iron Outdoor Café Table

Erica Wrought Iron Table



ASSEMBLY INSTRUCTIONS



PART LIST

	PICTURE	DESCRIPTION	QTY.
A		TOP	1
B		LEG	4

HARDWARE

	PICTURE	DESCRIPTION	QTY.
C		Pan Head Allen bolt M-8	16
D		Allen Key M-8	1

BEFORE BEGINNING ASSEMBLY:



Read instructions cover to cover



Have two adults on hand for assembly



Do NOT assemble on flooring or carpet. Assemble on a clean non-marring surface (ex: packing foam)

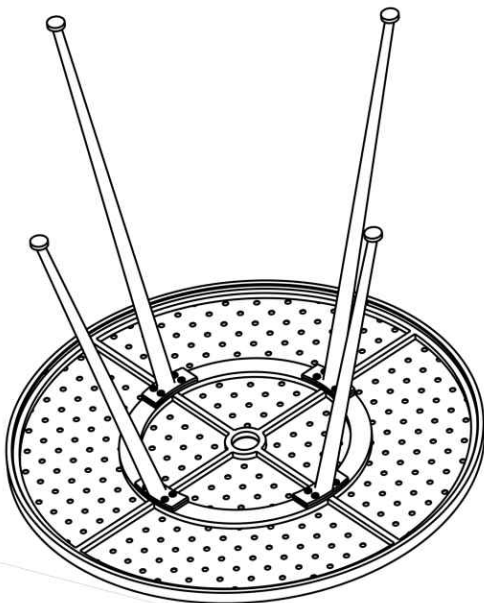
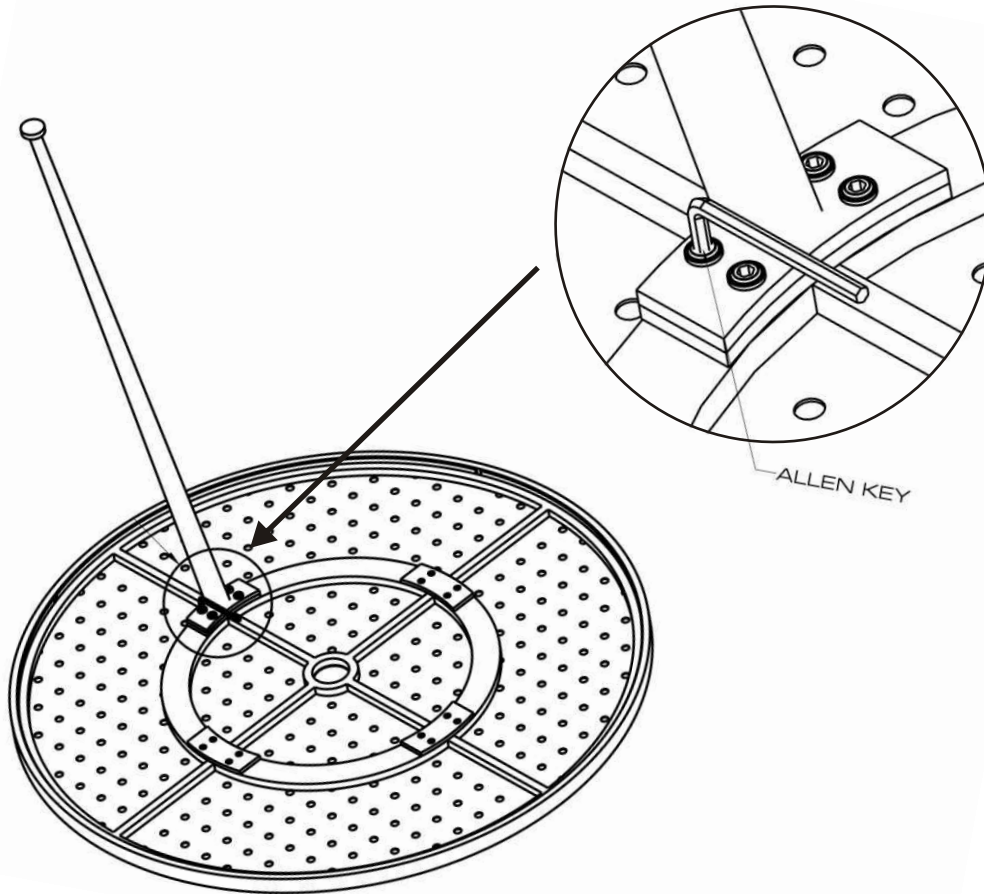


Save all packaging until assembly is completed

Need a part? Call TOV at **516-888-3355** or email service@tovfurniture.com

ASSEMBLY STEPS

Fix the Legs with Allen Bolt to Top



CARE & MAINTENANCE



Do not put hot items directly on furniture surface.



Do not clean furniture with harsh cleansers or polish.



Dust and wipe up spills using a clean, non-colored, lint-free cloth.



Stains may be removed with mild soap solution and a damp cloth.



Do not place furniture under direct sunlight.



Do not place furniture near heating or cooling vents.



Do not write on furniture without a padded barrier to protect the surface.