



TOV





Follow us!

Show your new purchase some love by tagging it on our Instagram!

 @tovfurniture

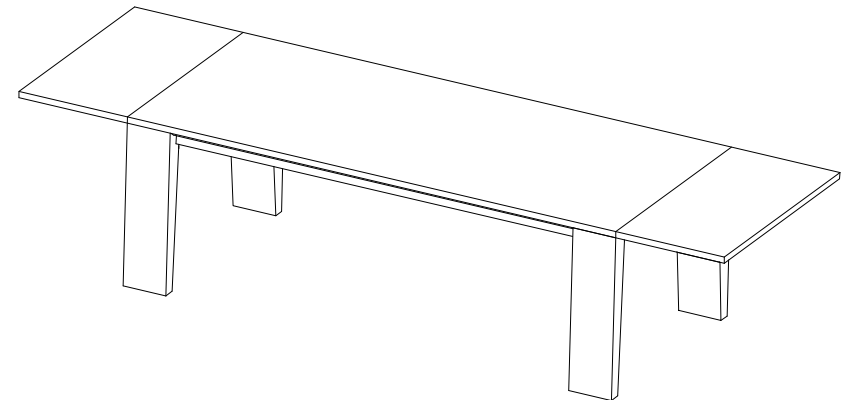
 516-888-3355

 hello@tovfurniture.com

 www.tovfurniture.com

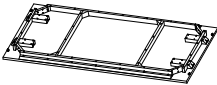

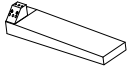
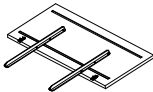
If the future is female—your furniture should be, too. No mahogany in sight. Sexy settees shaped like lips. Price points for any budget. At TOV, we do things differently.

TOV

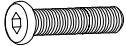
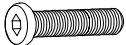





POLLY ASSEMBLY INSTRUCTIONS

PARTS LIST

LABEL	PICTURE	DESCRIPTION	QTY.
A		TOP	1
B1		LEGS	2
B2		LEGS	2
C		EXTENSION LEAF	2

HARDWARE

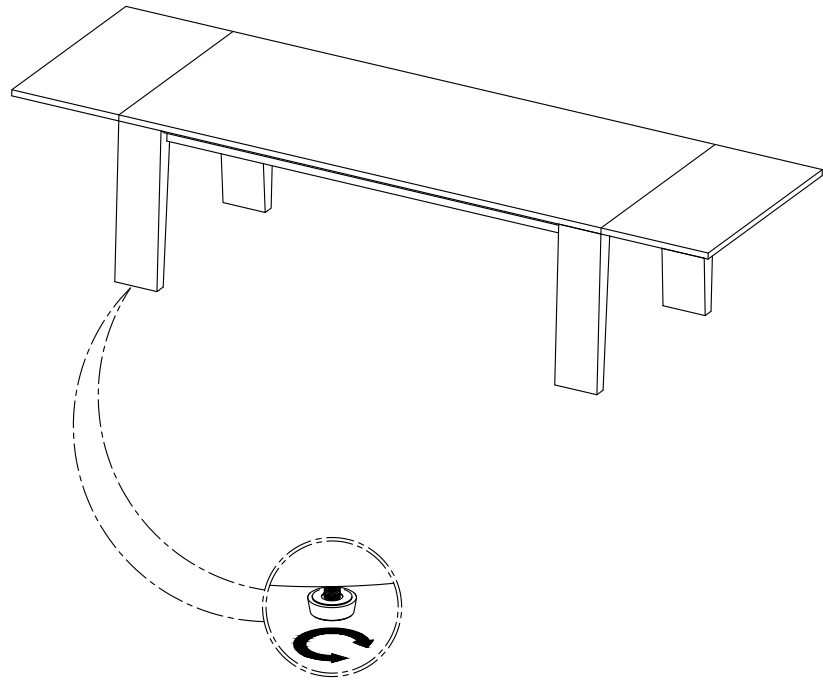
LABEL	PICTURE	DESCRIPTION	QTY.
D		BOLT SCREW M8 x 55mm	8
E		BOLT SCREW M8 x 70mm	4
F		SPRING WASHER Ø11xØ8x 1mm	12
J		FLAT WASHER Ø19xØ8x 1mm	12
K		WRENCH 4 x 60	1

Step 1
Open box of hardware and legs.

This hardware box will be a smaller box inside of the main box. Look for the red streamer.



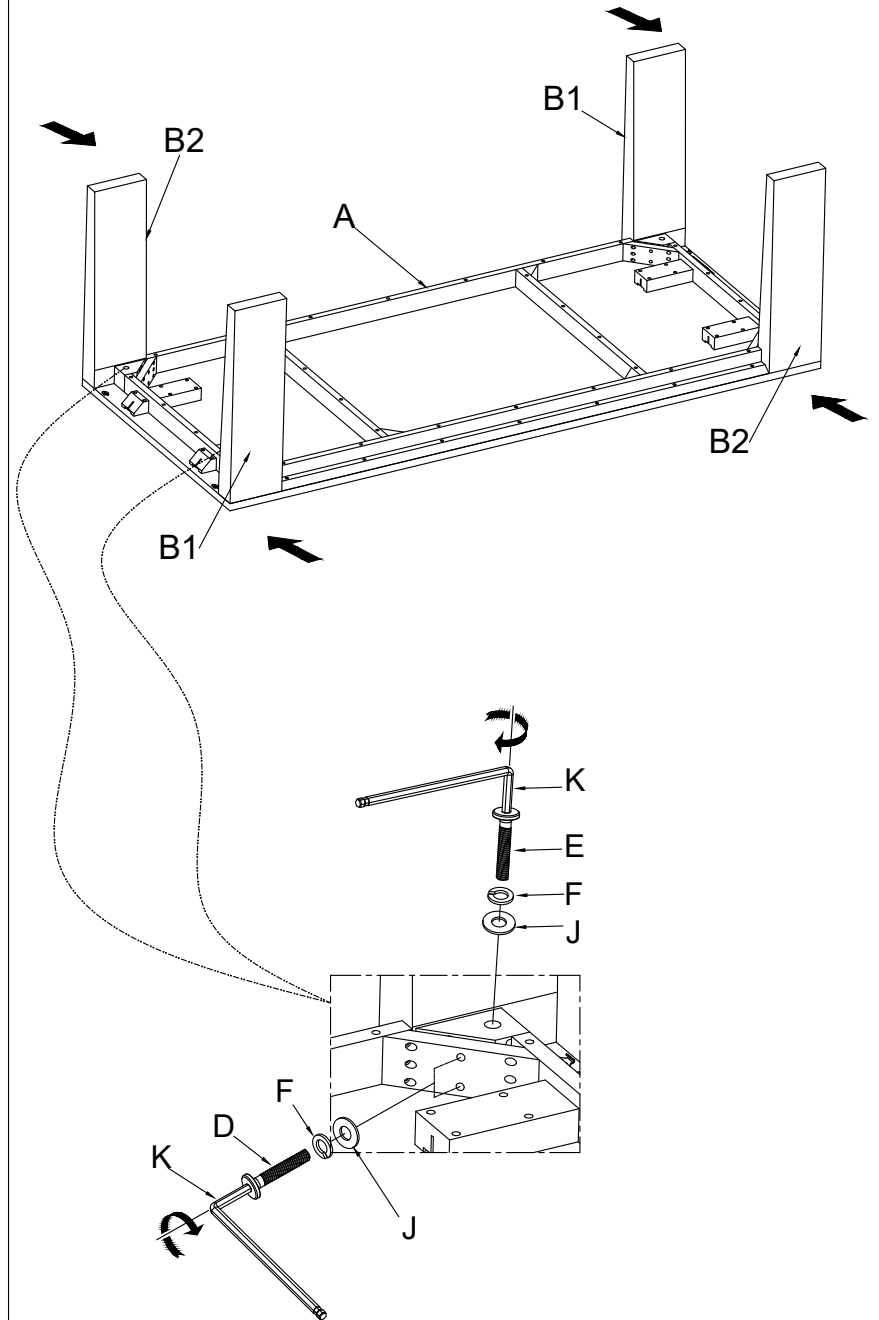
Step 5



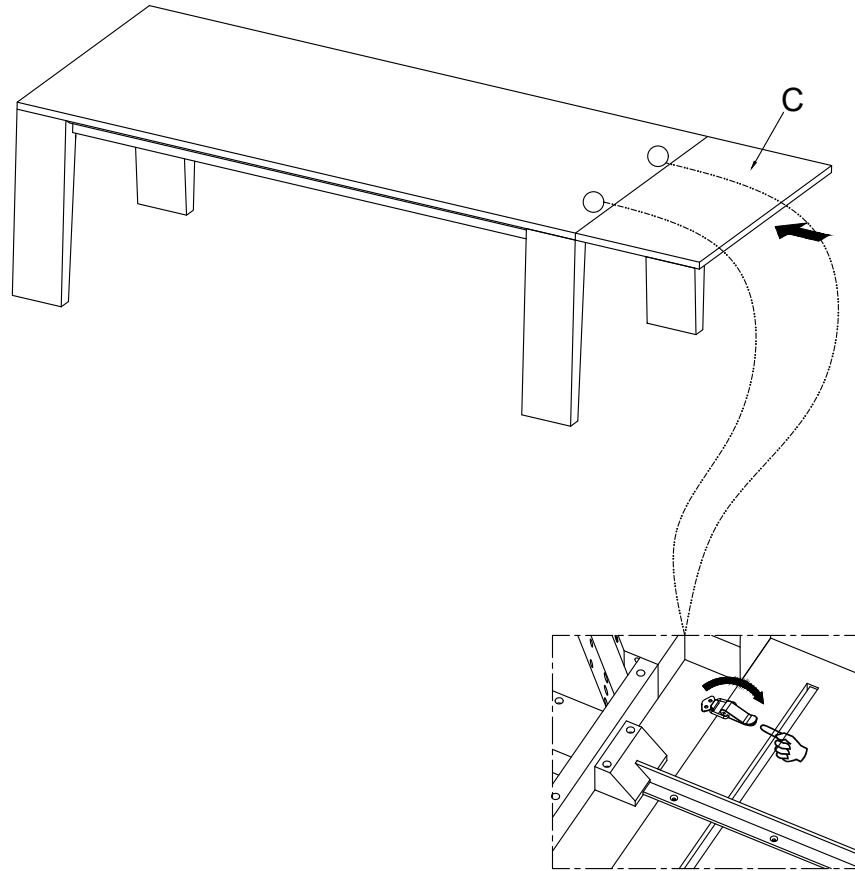
Stuck?
Contact our team @ 516-888-3355
Scan for product care!



Step 2



Step 3



Step 4

