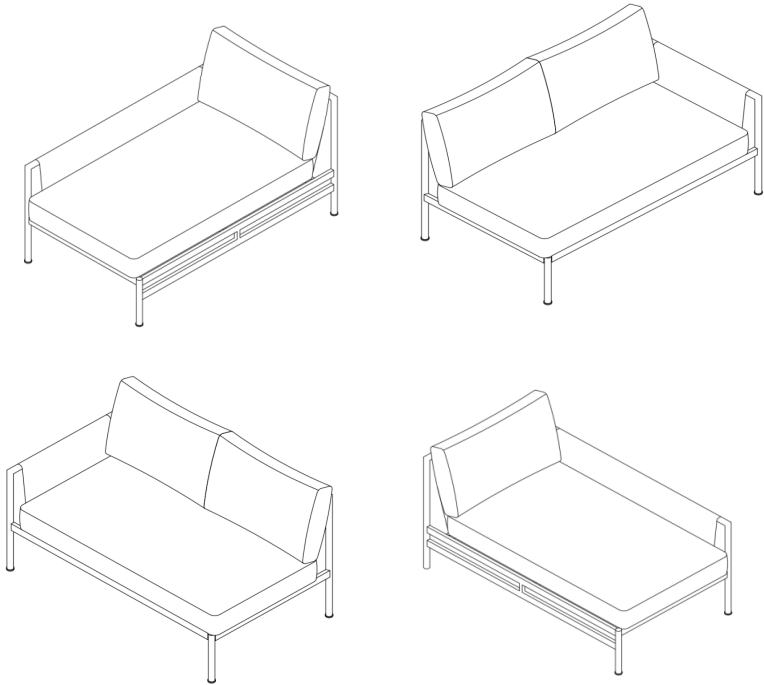


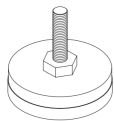
TOV



**Dunes Outdoor
Seatings**

DON'T BE BORING.

Hardware and Components



----- **A** x4 pcs
(D: 43*12*M8*25)



----- **B** x1 pc

Step 1

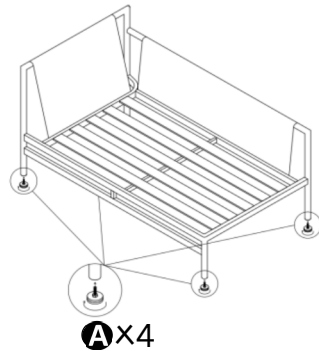
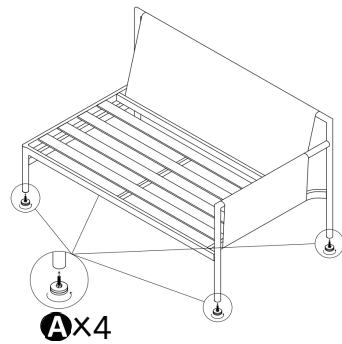
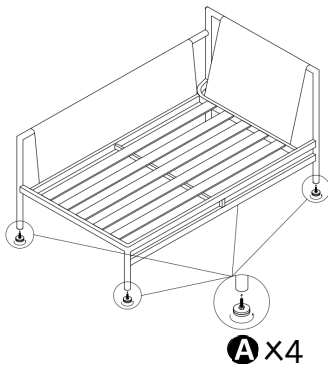
A . The hardware and components pack is in the carton.



B. Check if all the components are available.

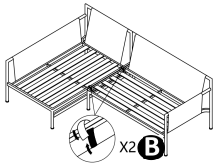
Step 2

- A. Take out the frame from the carton.
(do not put the seat & back cushion on the frame)
- B. Assemble the adjustable feet (A) onto the chaise legs.



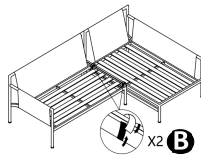
Step 3:

- A.** Depending on the configuration that you have purchases, use the velcro strips to connect each piece to each other by strapping the aluminum frames together.



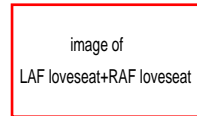
Configuration 1

or



Configuration 2

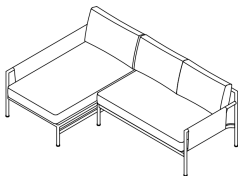
or



Configuration 3

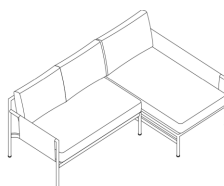
Step 4

- A.** Put the seat and back cushions on the frames
- B.** Assembly complete, enjoy of your sectional or 4 seats sofa!



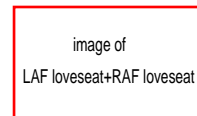
Configuration 1

or



Configuration 2

or



Configuration 3

Stuck?

Contact our team @ 516-888-3355

Scan for product care!




TOV



Follow us!

Show your new purchase some love by tagging it on our Instagram!

 @tovfurniture

 516-888-3355

 hello@tovfurniture.com

 www.tovfurniture.com

If the future is female—your furniture should be, too. No mahogany in sight. Sexy settees shaped like lips. Price points for any budget. At TOV, we do things differently.