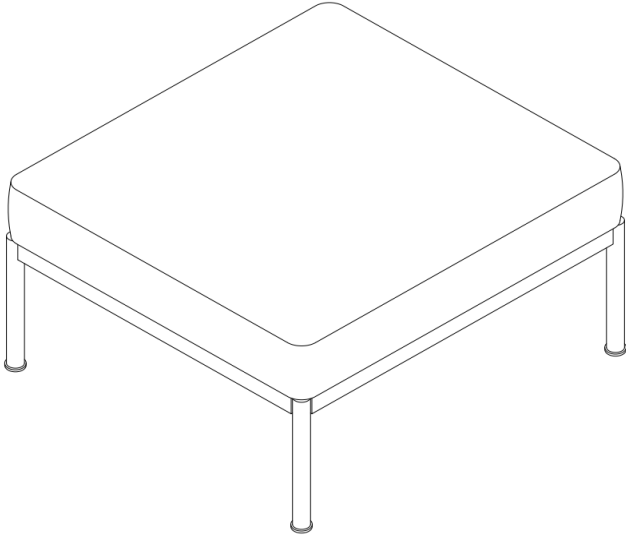


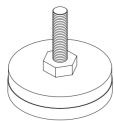
**TOV**



**Dunes Outdoor Ottoman**

**DON'T BE BORING.**

# Hardware and Components



----- **A** X 4 PCS  
(D: 43\*12\*M8\*25)



----- **B** X 2 PCS

## Step 1

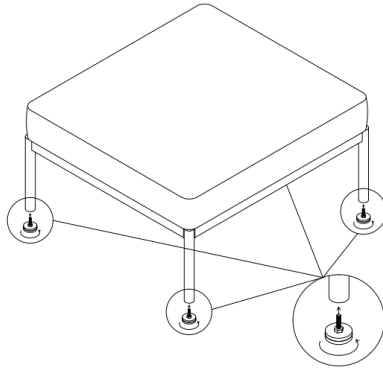
A. You will receive the hardware and component pack in a red PE bag.



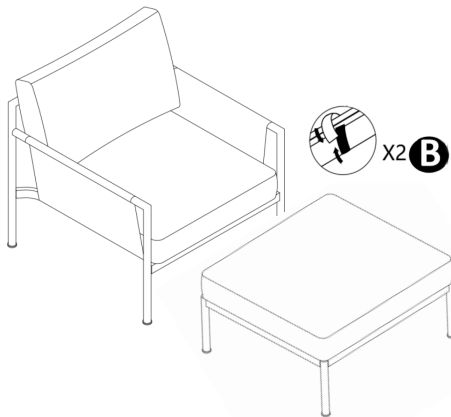
B. Check if all the components are available.

## Step 2

**A.** Assemble the adjustable feet (A) onto the ottoman legs.



**B.** You can use the velcro strips part-B to connect the ottoman to the arm chair or the sectional



(Part-B is useless if you will use the ottoman separately.)

Stuck?

Contact our team @ 516-888-3355

Scan for product care!




# TOV



## Follow us!

Show your new purchase some love by tagging it on our Instagram!

 @tovfurniture

 516-888-3355

 hello@tovfurniture.com

 www.tovfurniture.com

If the future is female—your furniture should be, too. No mahogany in sight. Sexy settees shaped like lips. Price points for any budget. At TOV, we do things differently.