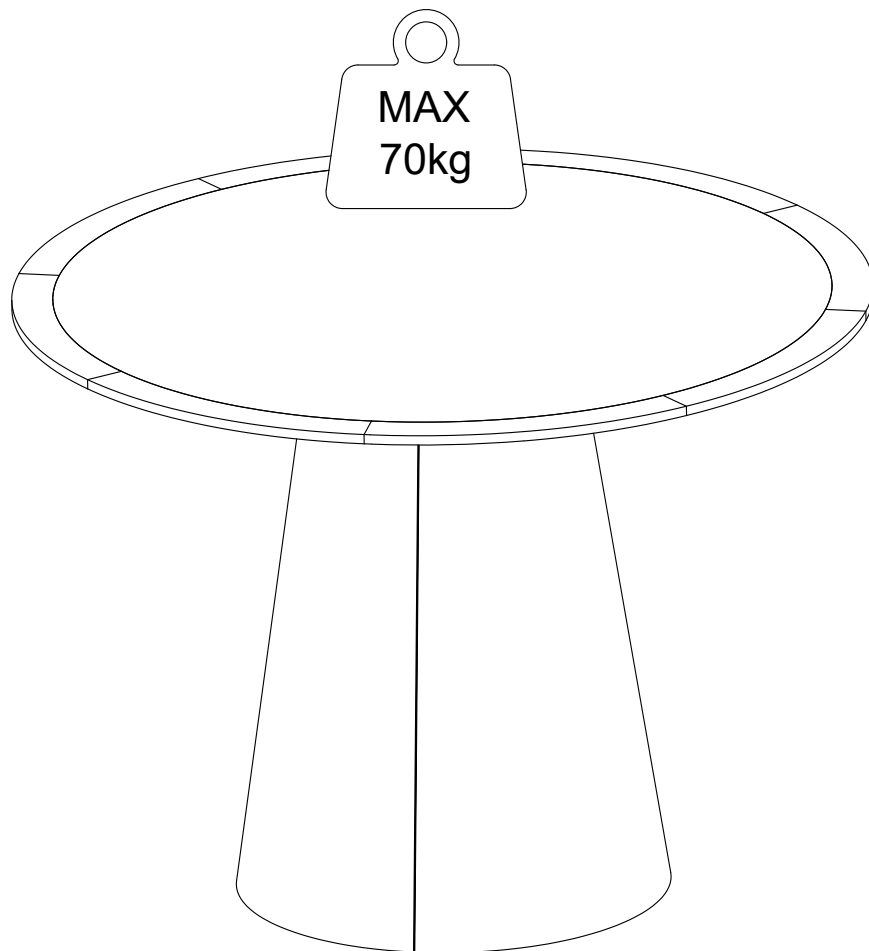


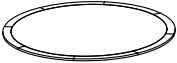
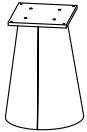
SAHARA

ASSEMBLY INSTRUCTIONS

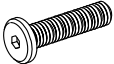





Max weight capacity holds up to 70 kg

PARTS LIST

LABEL	PICTURE	DESCRIPTION	QTY
A		TABLE TOP	1
B		BASE	1

HARDWARE

LABEL	PICTURE	DESCRIPTION	QTY
C		Bolt M8x30	4
D		Washer Ø16xØ8x1mm	4
E		Lock Washer 8mm	4
F		Wrench M4x60	1

BEFORE BEGINNING ASSEMBLY:



Read instructions cover to cover



Have two adults on hand for assembly



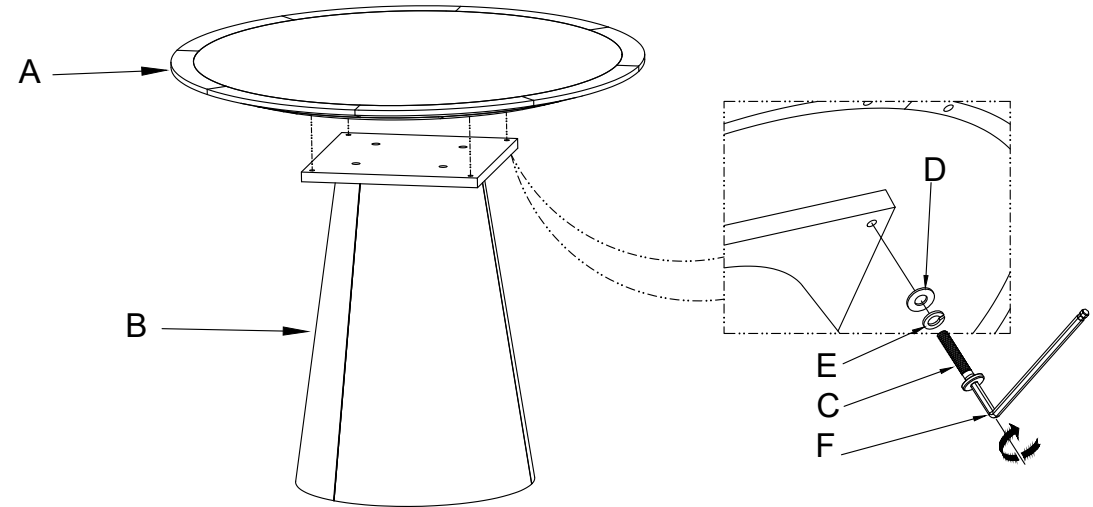
Do NOT assemble on flooring or carpet . Assemble on a clean non-marring surface (ex: packing Foam)



Save all packaging until assembly is completed

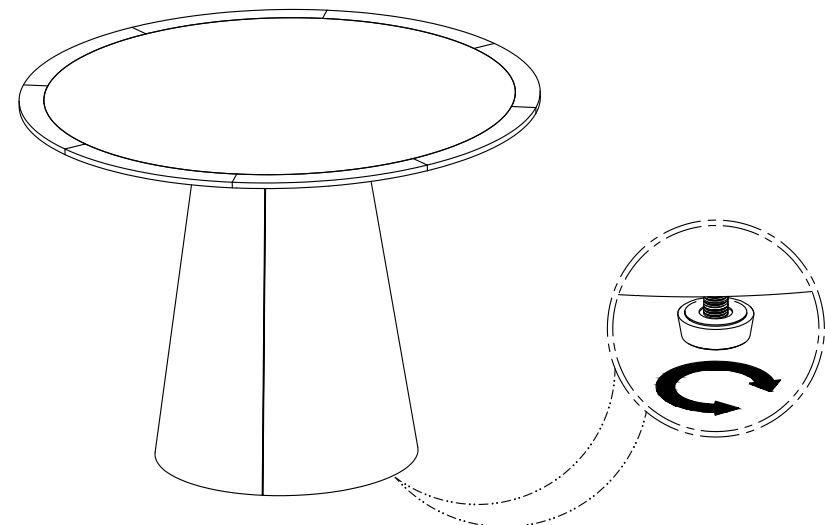
ASSEMBLY STEPS

STEP 1



Using the included hardware, attach the tabletop to the pedestal base as illustrated

STEP 2



The floor glides can be adjusted to ensure the table's stability