

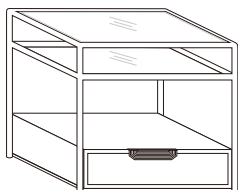
T O V



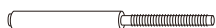
**Darla Cream Glass
Nightstand**

DON'T BE BORING.

Hardware and Components



A x1pc



B x4pcs

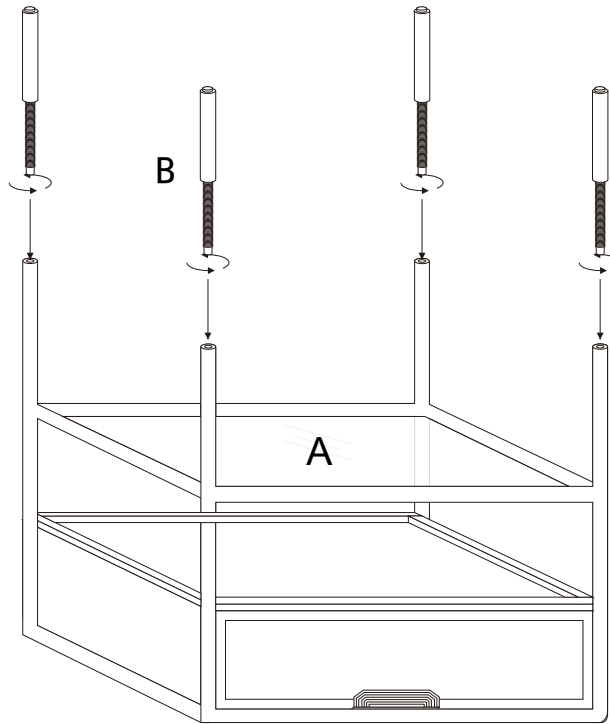
Step 1

Open the box .This hardwares are in the box .



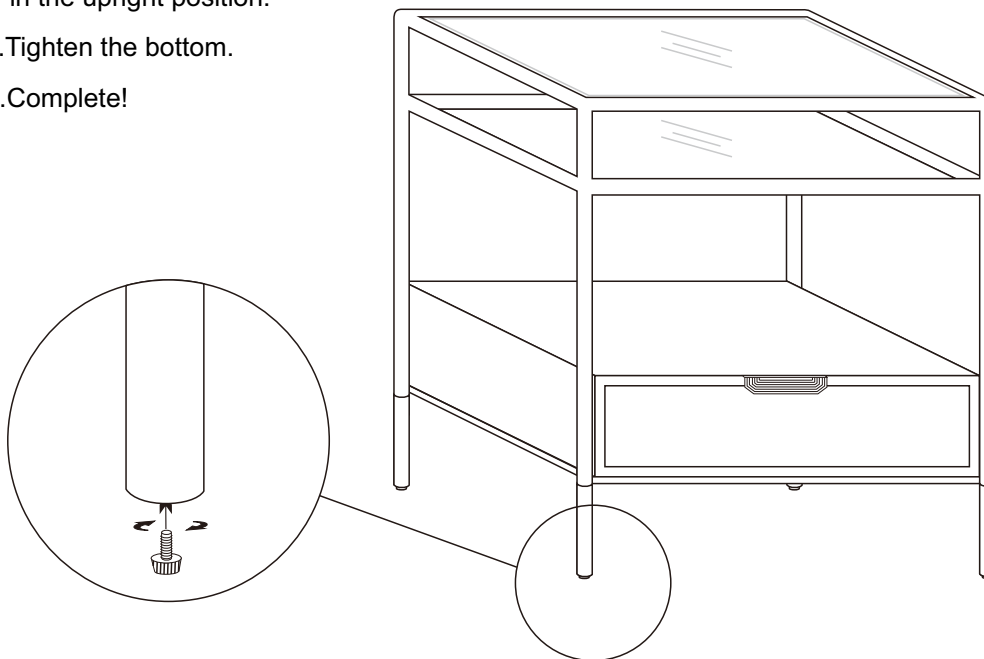
STEP 2

- A. Tip the table top over.
- B. Attach part B to the four legs of part A.



STEP 3

- A. Turn the product over so it is standing in the upright position.
- B. Tighten the bottom.
- C. Complete!



Stuck?

Contact our team @ 516-888-3355

Scan for product care!




TOV



Follow us!

Show your new purchase some love by tagging it on our Instagram!

 @tovfurniture

 516-888-3355

 hello@tovfurniture.com

 www.tovfurniture.com

If the future is female—your furniture should be, too. No mahogany in sight. Sexy settees shaped like lips. Price points for any budget. At TOV, we do things differently.