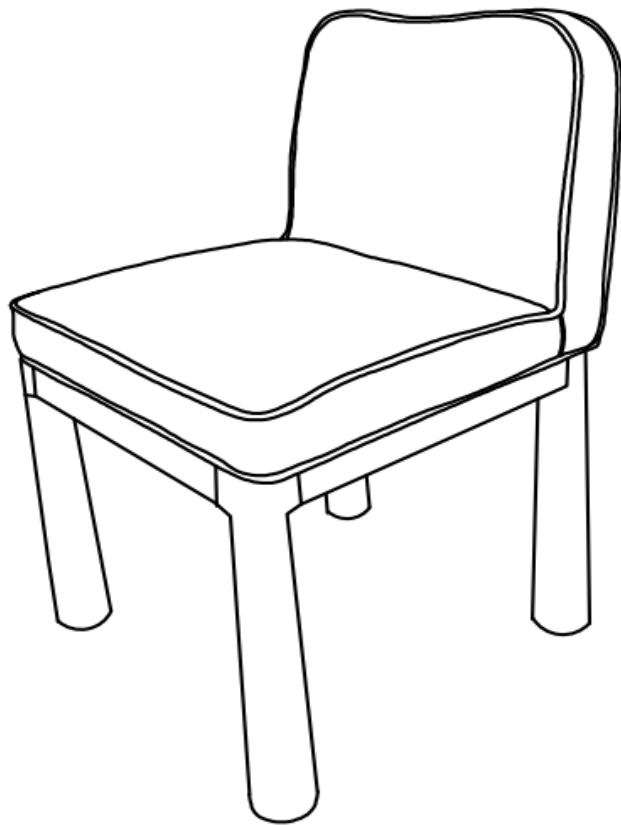


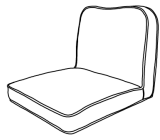
TOV



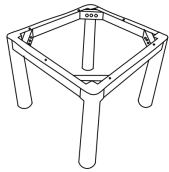
**Tiara
Dining Chair**

DON'T BE BORING.

Hardware and Components



A x1pc



B x1pc



C x1pc -Allen key-M6



D x6pcs (M6X50mm)



E x6pcs

Step 1

Open bag of hardware and legs.

This hardware bag will be fixed on the main box.

Look for the red streamer.



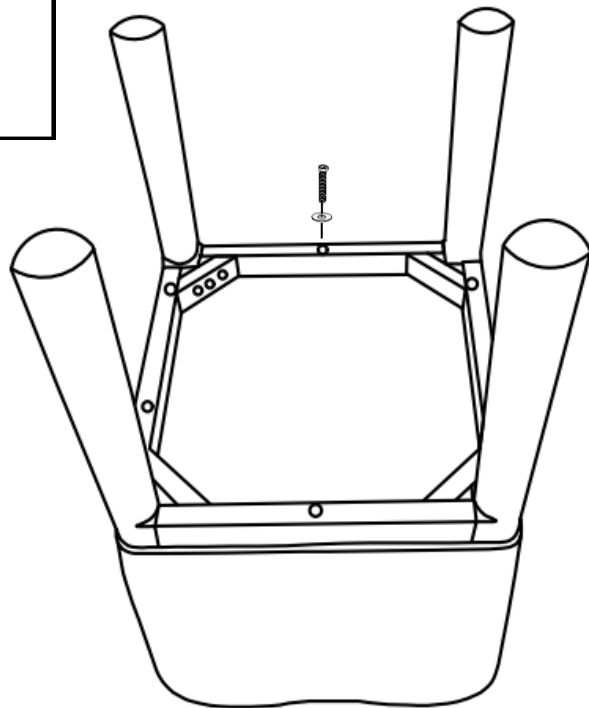
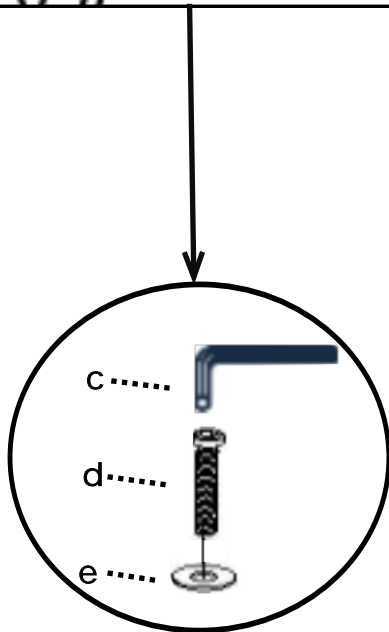
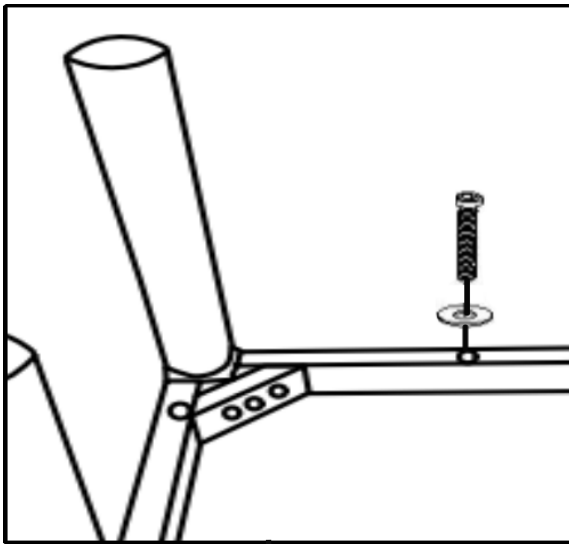
Step 2

A. Tip dining chair over

B. Attach Seat(part a), to base (part b) using parts, c , d, e

C. Repeat 6x, for all 6 hole positions

D. Lightly tighten with Allen Key tool(part c)

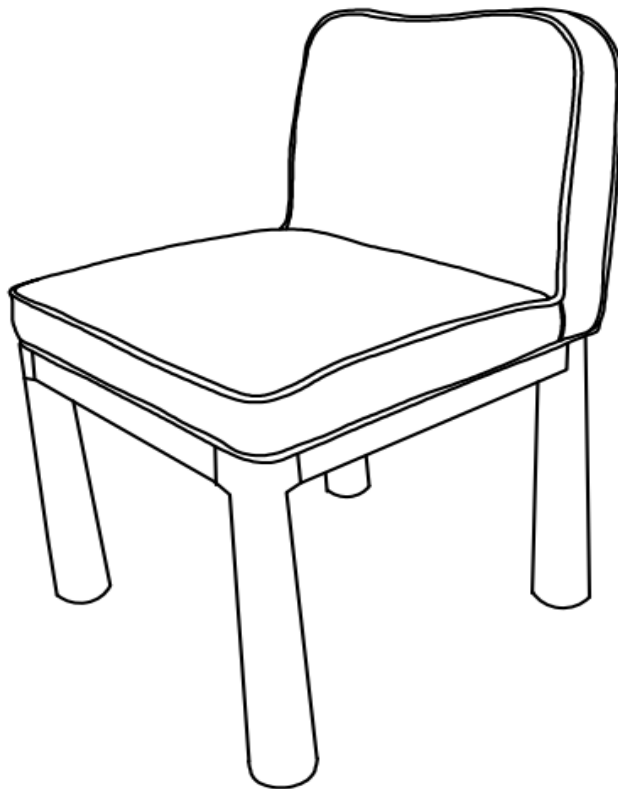


Step 3

A. Tip dining chair back over, so it is standing up right position

B. Fully tighten all bolts with Allen Key tool (part c)

C. Complete!



Stuck?

Contact our team @ 516-888-3355

Scan for product care!




TOV



Follow us!

Show your new purchase some love by tagging it on our Instagram!

 @tovfurniture

 516-888-3355

 hello@tovfurniture.com

 www.tovfurniture.com

If the future is female—your furniture should be, too. No mahogany in sight. Sexy settees shaped like lips. Price points for any budget. At TOV, we do things differently.