


TOV



Follow us!

Show your new purchase some love by tagging it on our Instagram!

 @tovfurniture

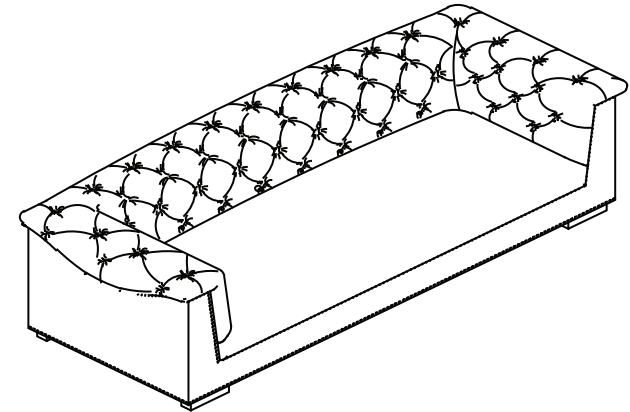
 516-888-3355

 hello@tovfurniture.com

 www.tovfurniture.com

If the future is female—your furniture should be, too. No mahogany in sight. Sexy settees shaped like lips. Price points for any budget. At TOV, we do things differently.

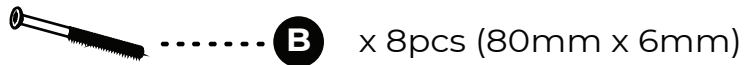
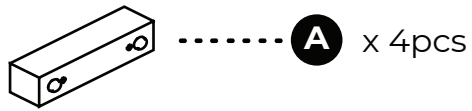
TOV



Farah Sofa

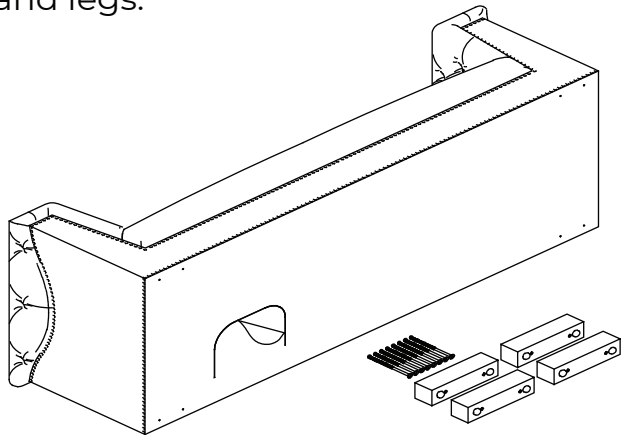
DON'T BE BORING.

Hardware and Components



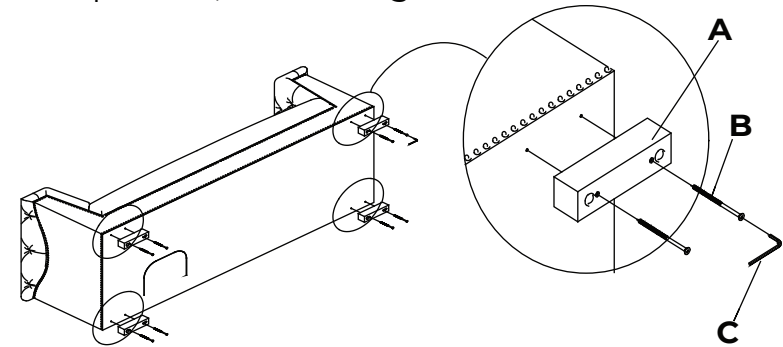
Step 1

- A.** Gently lay the sofa on its back on a plain and non-abrasive surface.
- B.** Look for the red streamer. Unzip the pocket underneath the sofa for pack of hardware and legs.



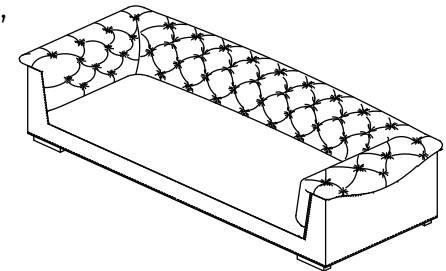
Step 2

- A.** Align the leg (A) to the hole underneath the sofa with pre-installed threaded nuts.
- B.** Attach the leg (A) to sofa using bolt (B) and allen key (C). Tighten the bolts to a snug fit.
- C.** Repeat 4x, for all 4 legs.



Step 3

- A.** Turn the sofa over, so it is standing up right position.
- B.** Complete, enjoy your sofa!



Stuck?
Contact our team @ 516-888-3355

Scan for product care!

