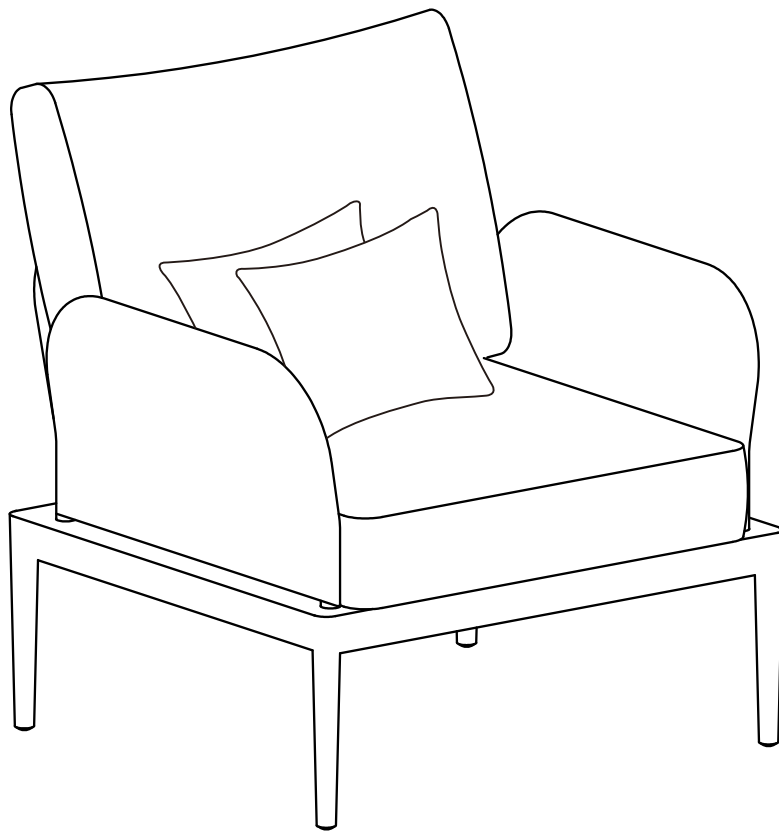


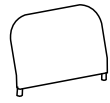
T O V



**Kapri Outdoor
Armchair**

DON'T BE BORING.

Hardware and Components



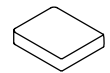
A x 1pc



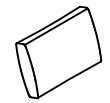
B x 1pc



C x 2pcs



D x 1pc



E x 1pc



F x 2pcs



G x 6pcs (M8*20mm)



H x 6pcs



I x 1pc (M8)



J x 2pcs

Step 1

A. The hardware and components pack is in the carton.

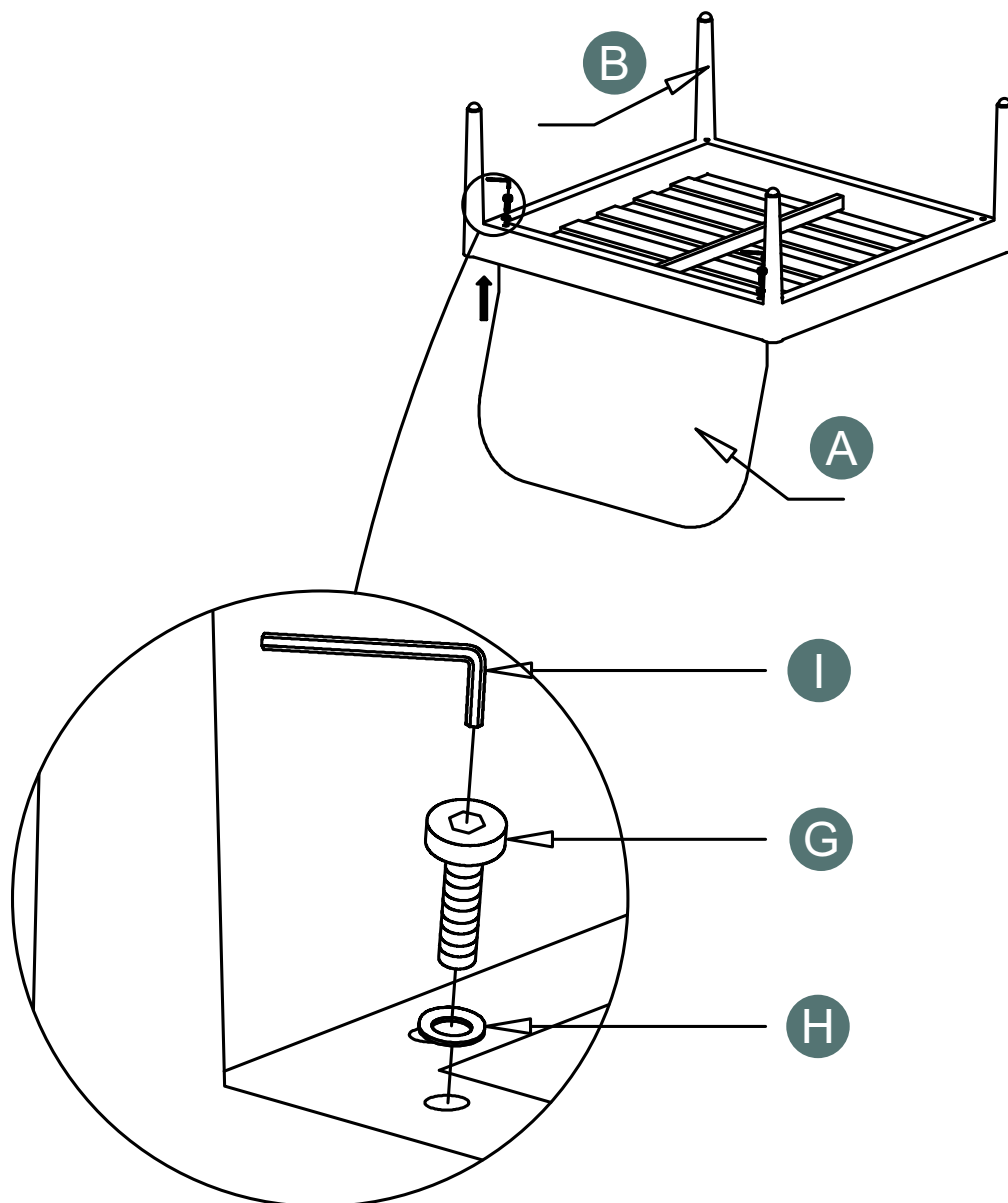
B. Place all parts on a clean soft surface, make sure you have all hardware and components as identified on the hardware and components list.



Step 2

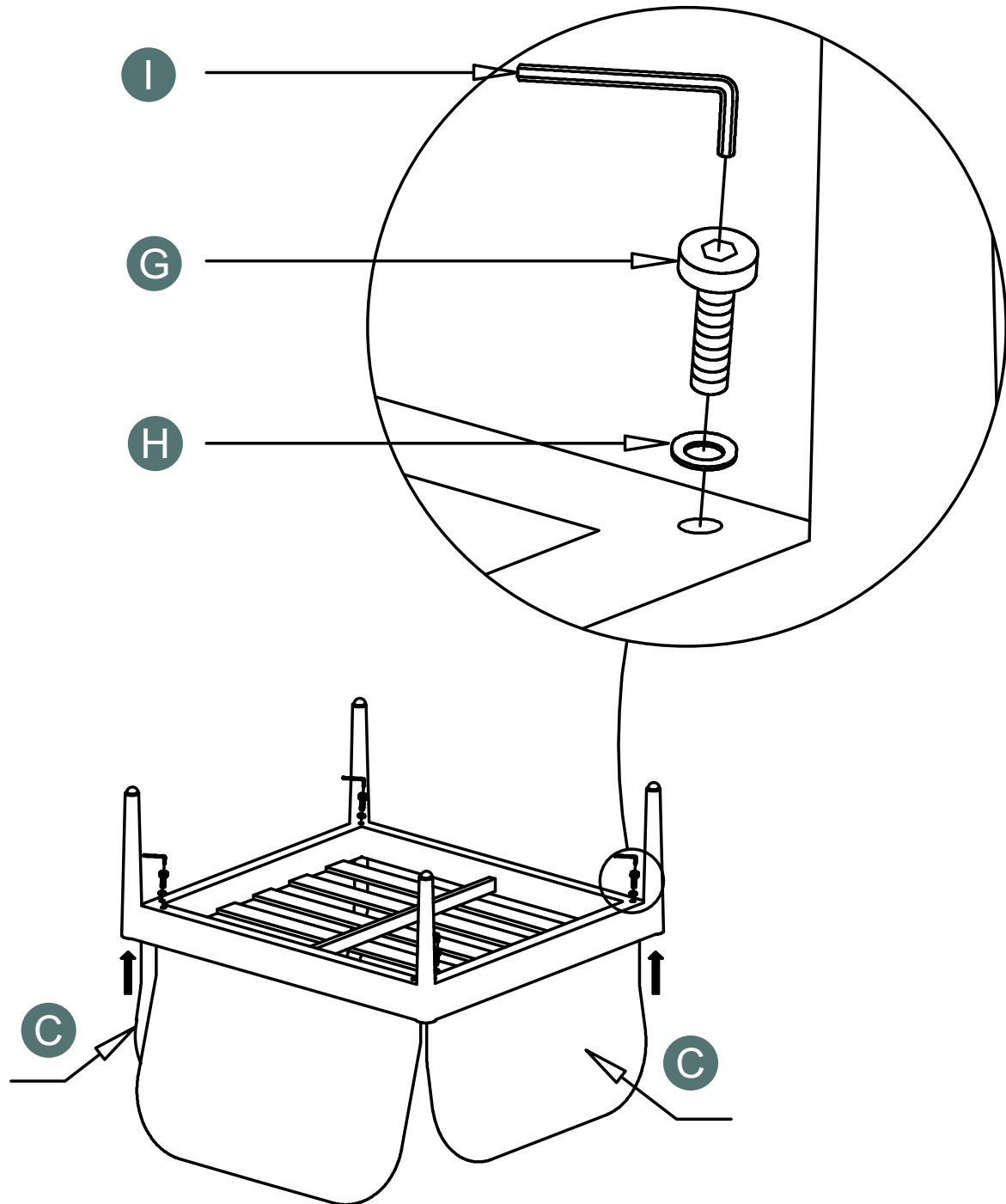
A. Take out the components from the carton.
(Do not put the seat cushion (D) & back cushion (E) on the frame.)

B. Attach back frame (A) to seat frame (B) by using bolt (G), washer (H) and allen key (I).



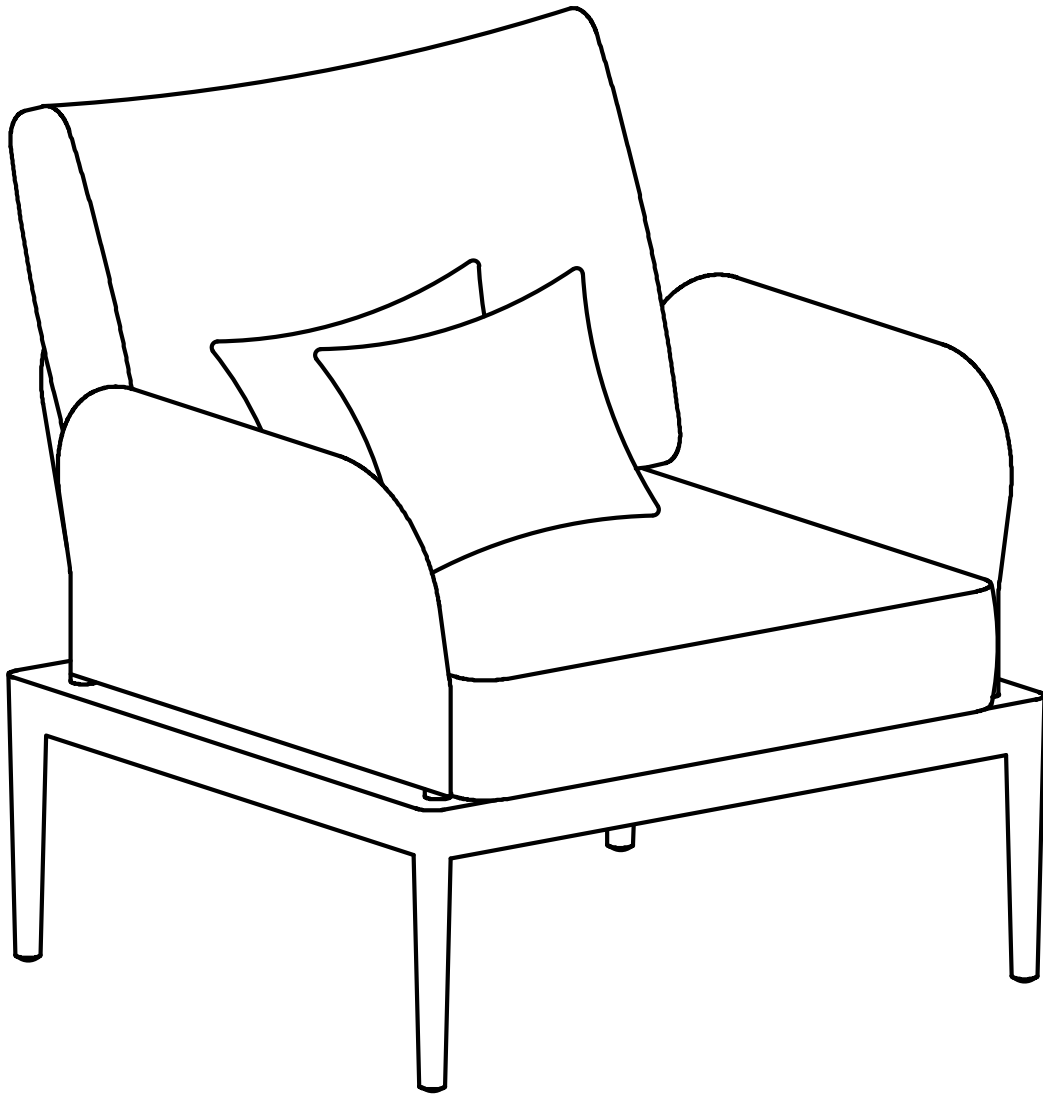
Step 3

Attach arm frame (C) to seat frame (B) by using bolt (G), washer (H) and allen key (I).



Step 4

A. Put seat cushion (D), back cushion (E), throw pillow (F) on seat frame.



B. The armchair assembly is complete.

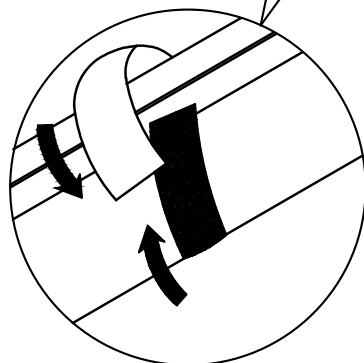
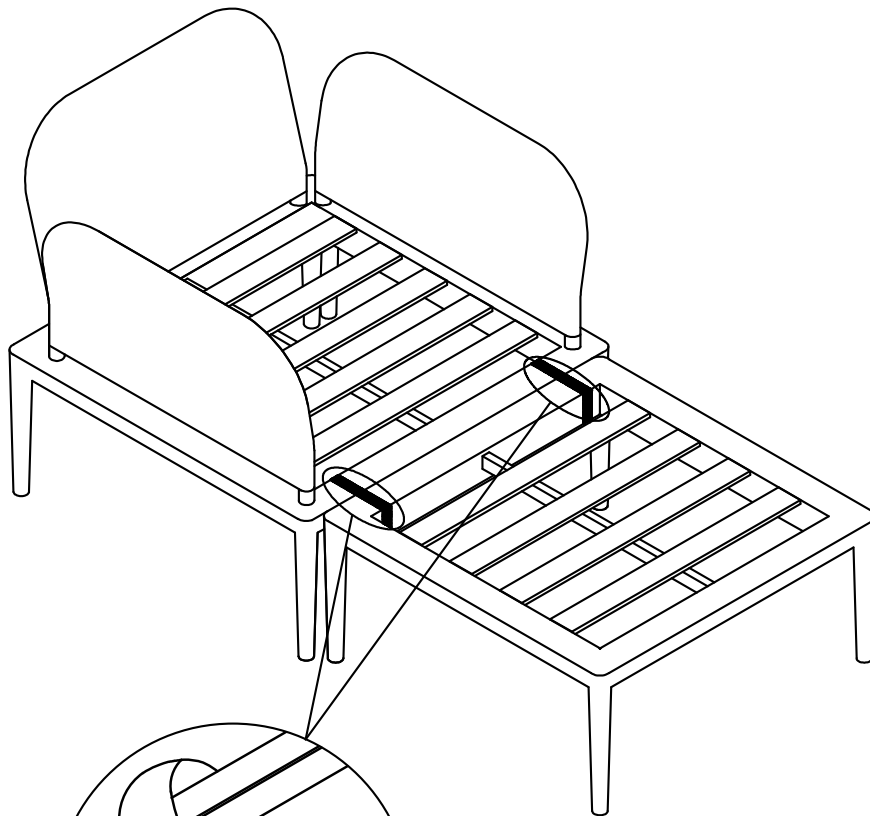
C. Please see Step 5 & Step 6 if need to connect the ottoman with the armchair.

Step 5

Use velcro (J) when necessary to connect Armchair and Ottoman.

A. Remove the seat cushion (D), back cushion (E) & throw pillows (F). Put the Armchair and Ottoman together.

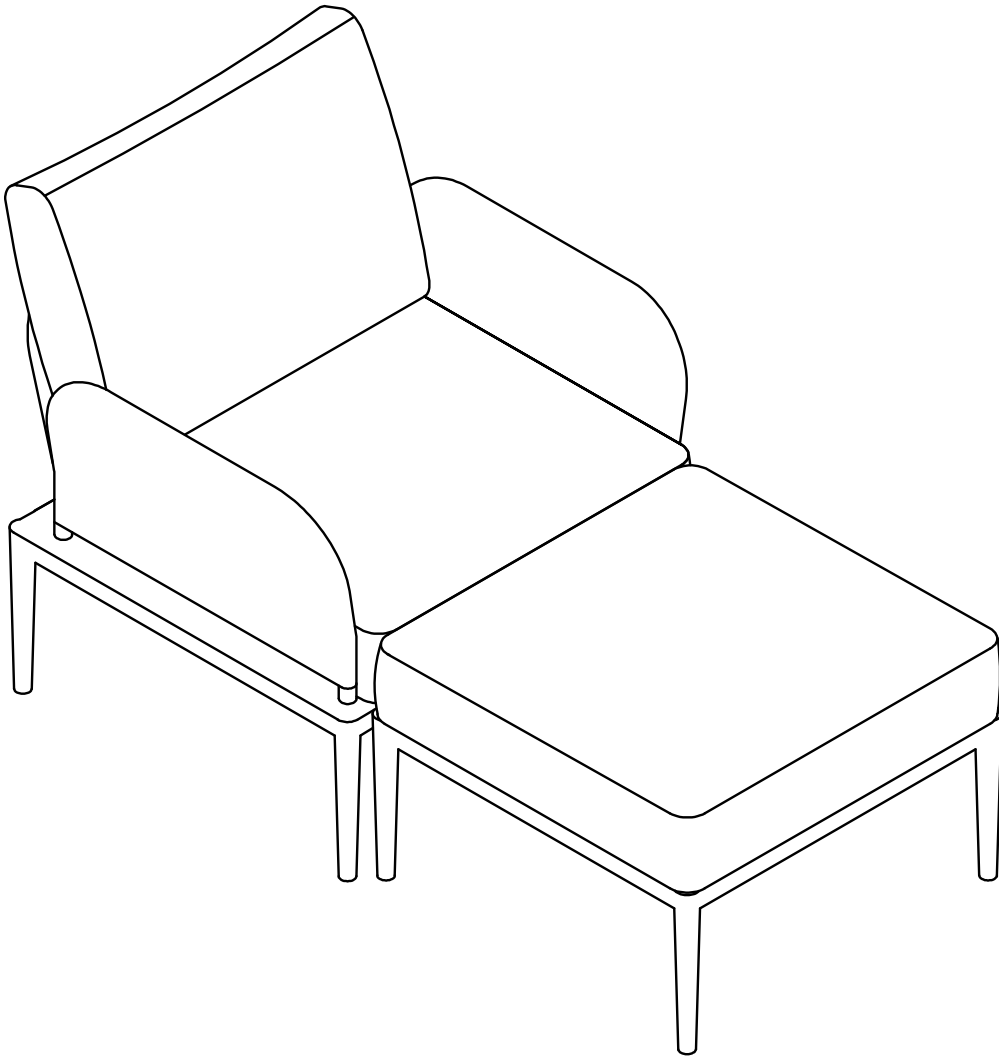
B. Use the velcro (J) to connect Armchair and Ottoman as shown.



X2

Step 6

Put seat cushion (D), back cushion (E), throw pillow (F) on seat frame. Now it is ready for using.



Stuck?

Contact our team @516-888-3355

Scan for product care!




TOV



Follow Us!

Show your new purchase some love by tagging it on our Instagram!

 @tovfurniture

 516-888-3355

 hello@tovfurniture.com

 www.tovfurniture.com

If the future is female - your furniture should be, too. No mahogany in sight. Sexy settees shaped like lips. Price points for any budget. At TOV, we do things differently.