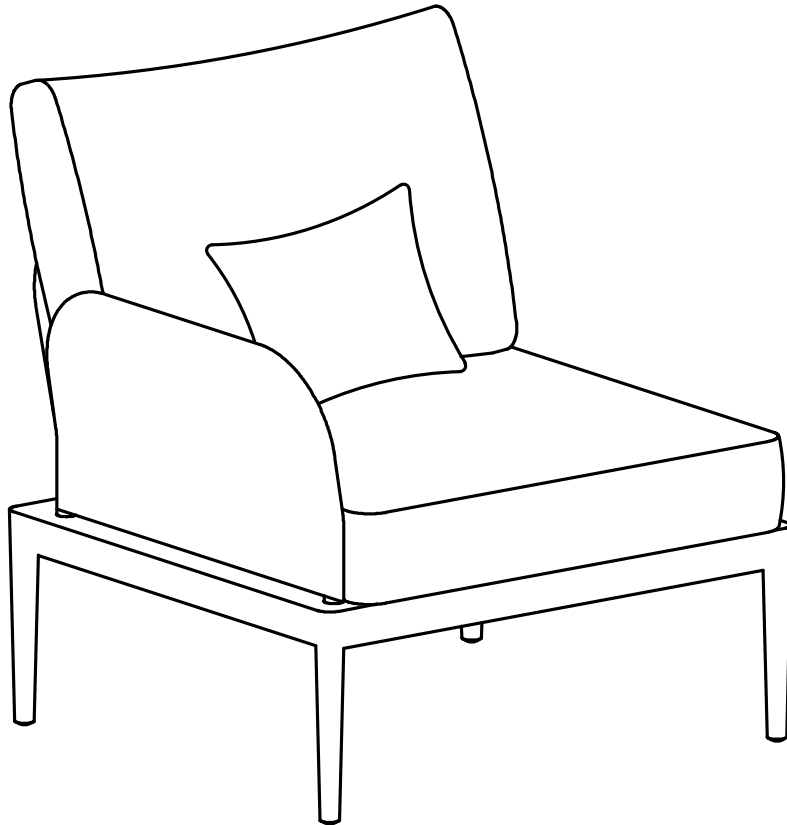


**T O V**



**Kapri Modular  
Outdoor LAF  
Corner Seat**

**DON'T BE BORING.**

# Hardware and Components



-----

**A** x 1pc



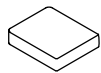
-----

**B** x 1pc



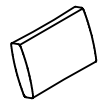
-----

**C** x 1pc



-----

**D** x 1pc



-----

**E** x 1pc



-----

**F** x 1pc



-----

**G** x 4pcs (M8\*20mm)



-----

**H** x 4pcs



-----

**I** x 1pc (M8)



-----

**J** x 2pcs

## Step 1

**A.** The hardware and components pack is in the carton.

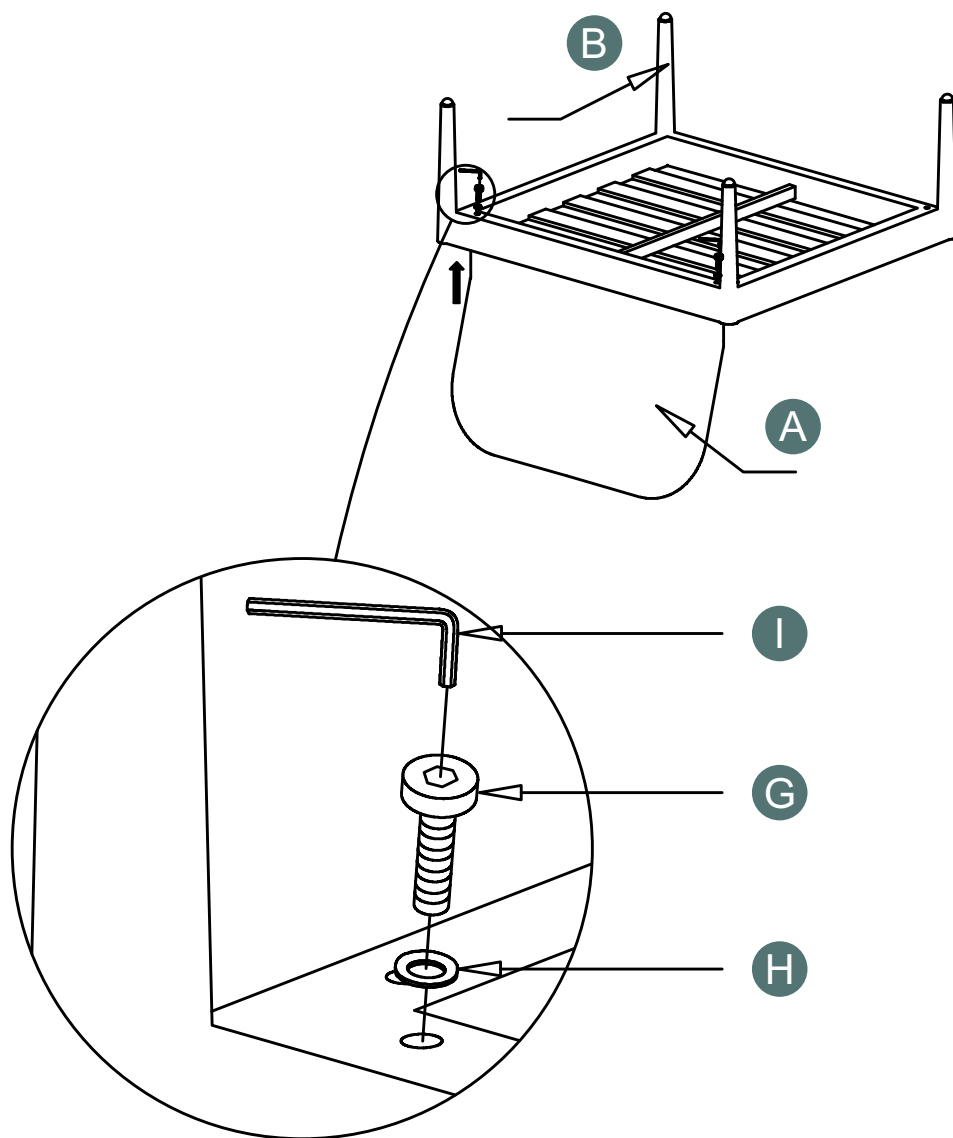
**B.** Place all parts on a clean soft surface, make sure you have all hardware and components as identified on the hardware and components list.



## Step 2

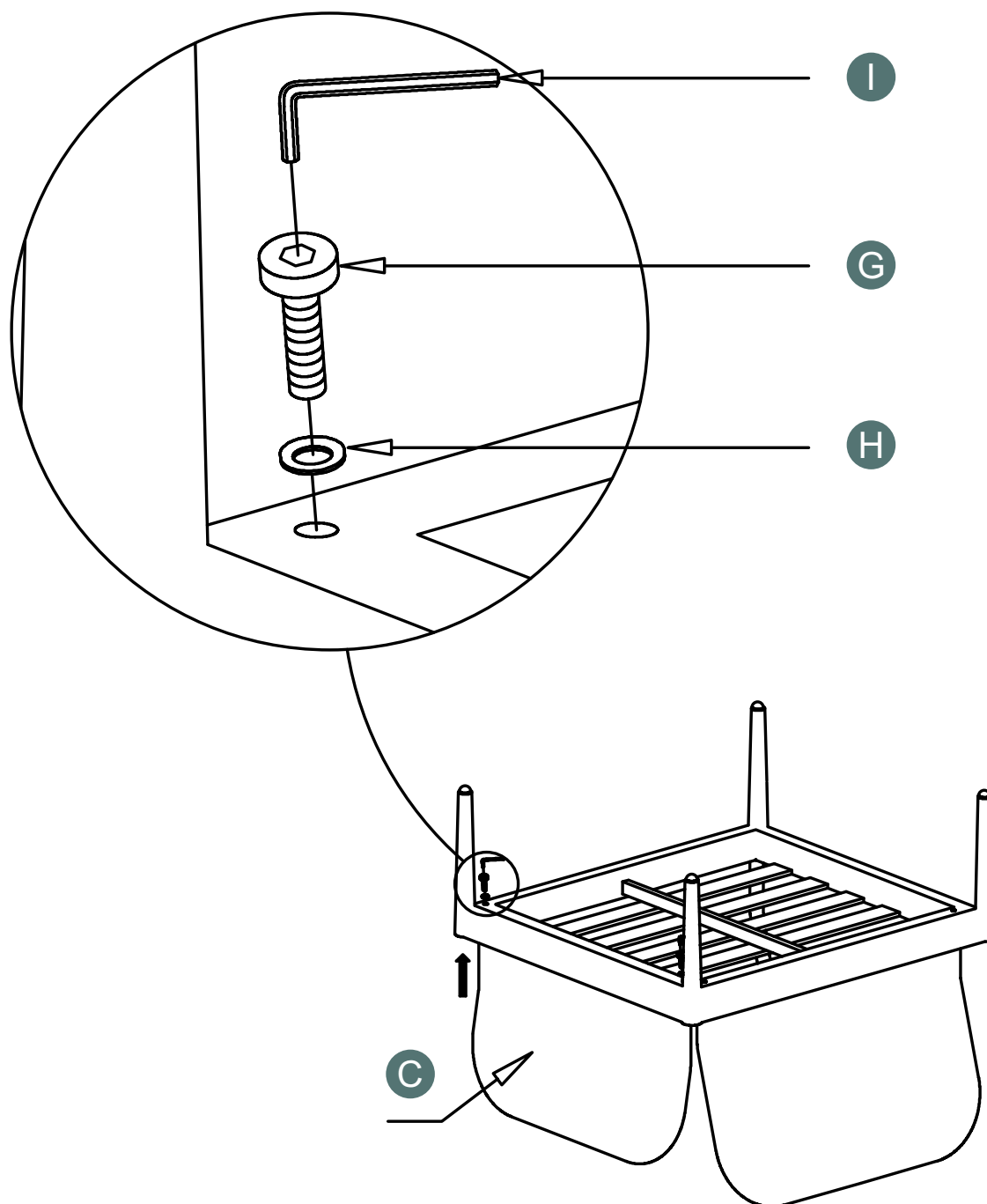
**A.** Take out the components from the carton. (Do not put the seat cushion (D) & back cushion (E) on the frame.)

**B.** Attach back frame (A) to seat frame (B) by using bolt (G), washer (H) and allen key (I).



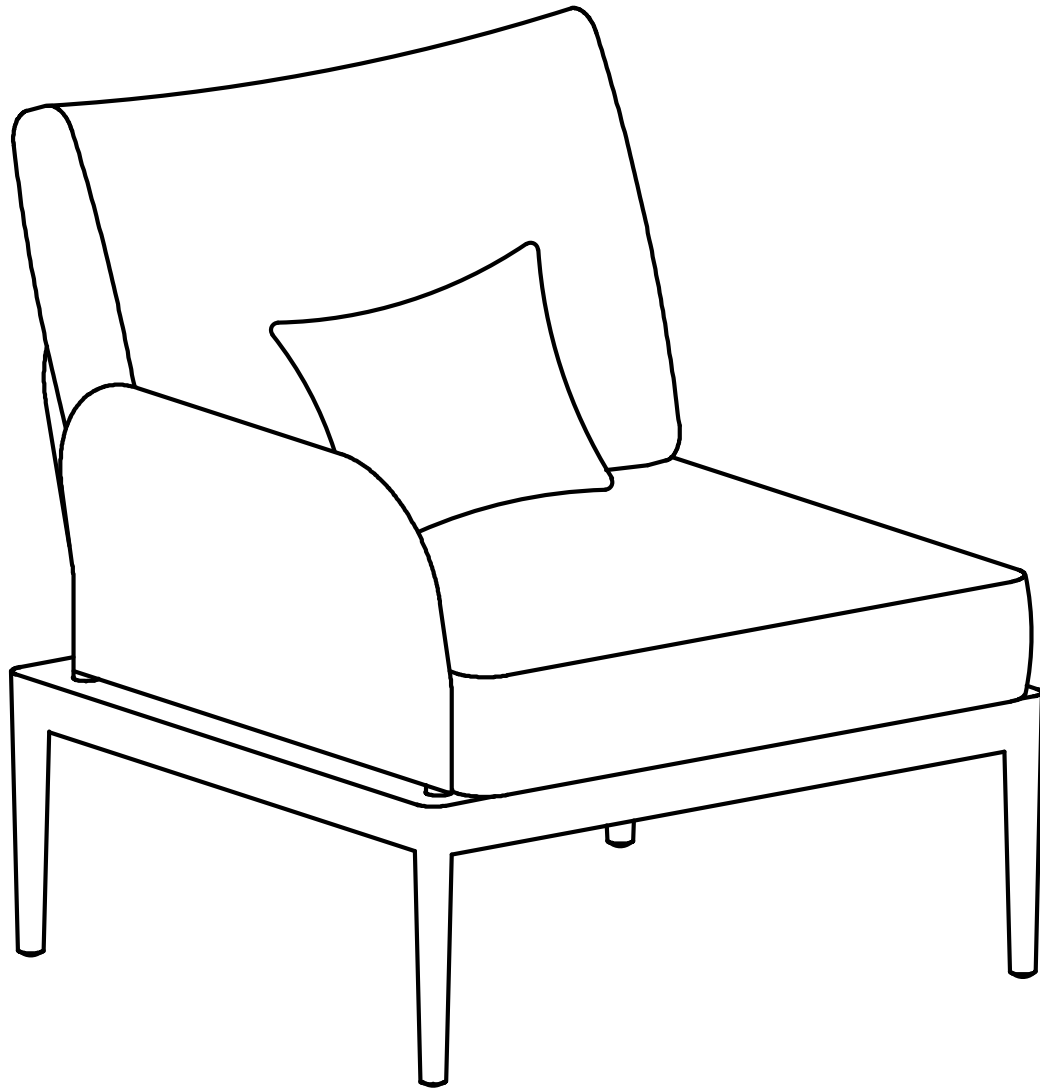
## Step 3

Attach arm frame (C) to seat frame (B) by using bolt (G), washer (H) and allen key (I).



## Step 4

**A.** Put seat cushion (D), back cushion (E), throw pillow (F) on seat frame.



**B.** The LAF Corner Seat assembly is complete.

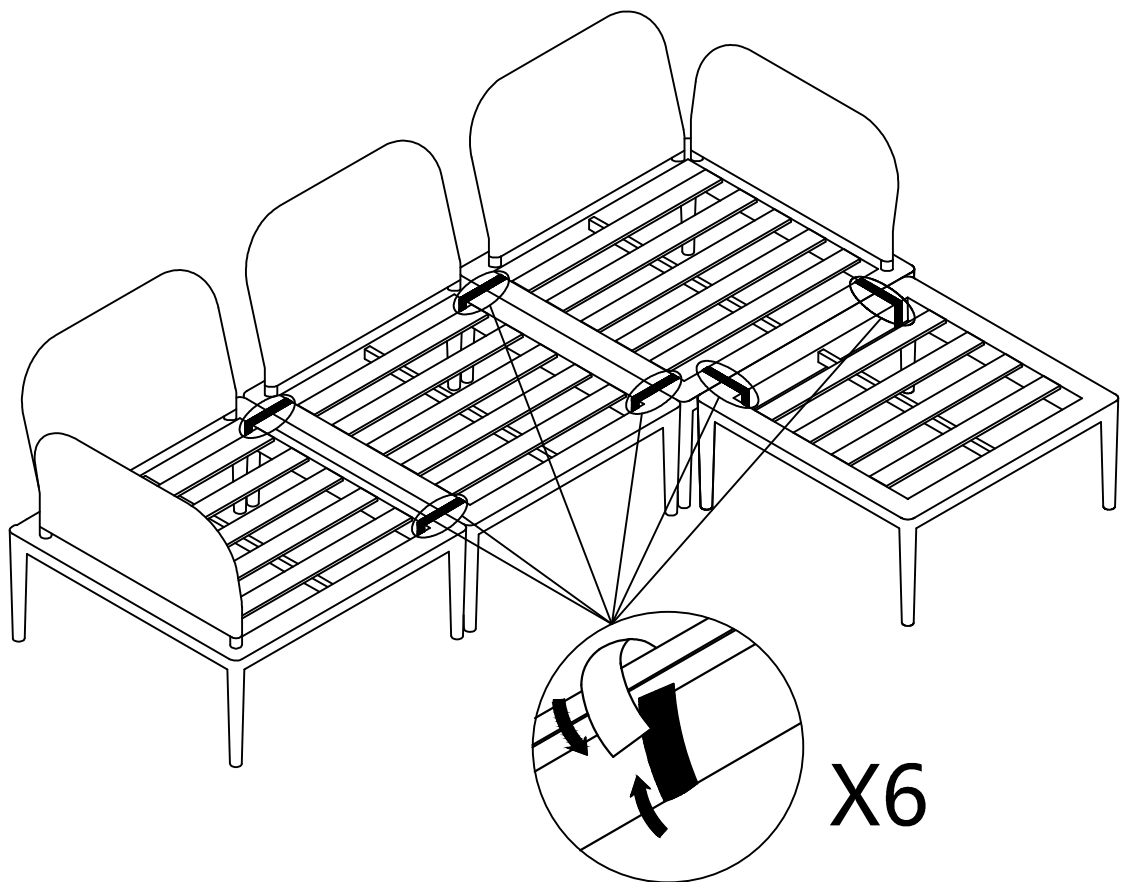
**C.** Please see Step 5 & Step 6 if need to connect LAF corner seat to armless chair, RAF corner seat and ottoman.

## Step 5

Use velcro (J) when necessary to connect LAF Corner Seat, Armless chair, RAF Corner Seat, and Ottoman.

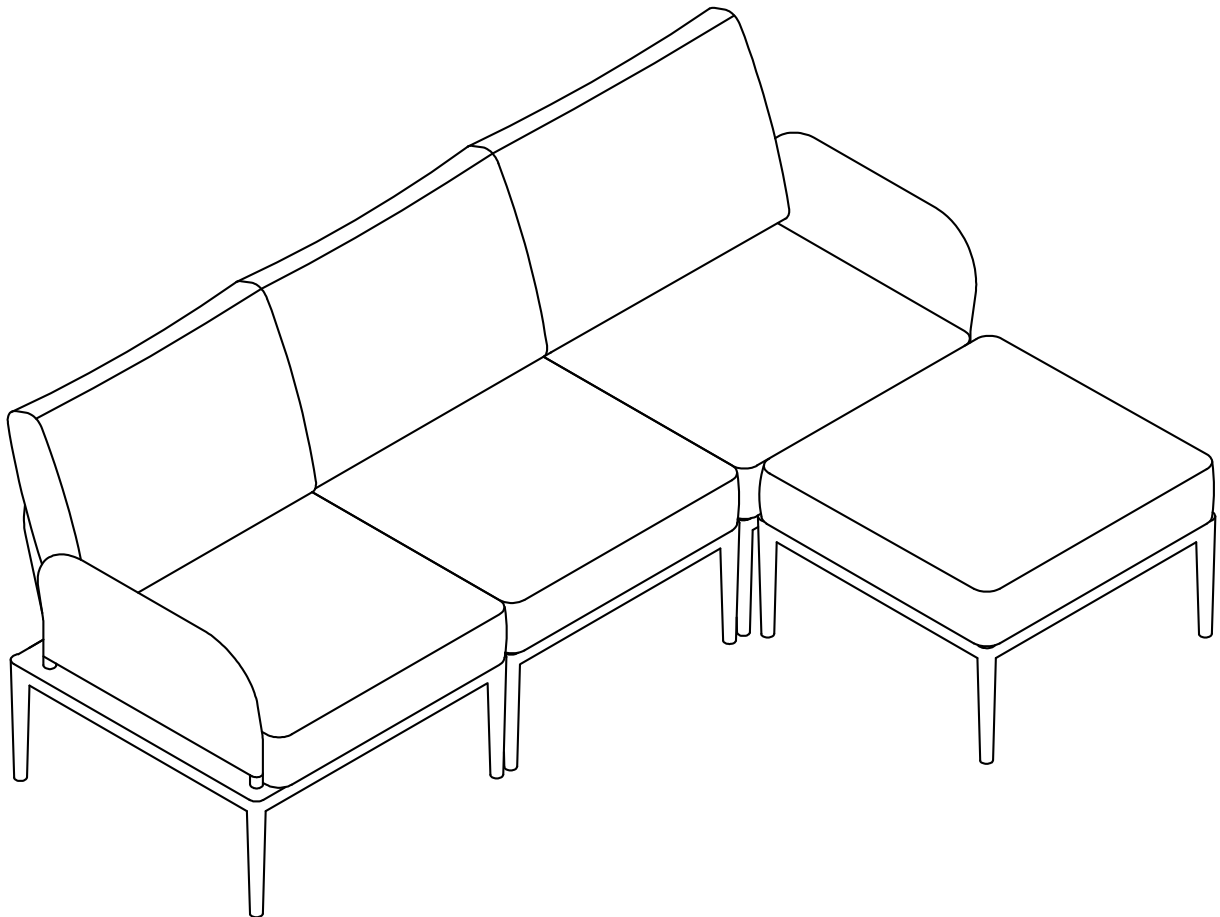
A. Remove the seat cushion, back cushion & throw pillows from all the sofas. Put the LAF Corner Seat, Armless chair, RAF Corner Seat and Ottoman together as shown.

B. Use the velcro (J) to connect Armchair and Ottoman as shown.



## Step 6

Put seat cushion, back cushion, throw pillows on all seat frame. Now it is ready for using.



Stuck?

Contact our team @516-888-3355

Scan for product care!




# TOV



## Follow Us!

Show your new purchase some love by tagging it on our Instagram!

 @tovfurniture

 516-888-3355

 hello@tovfurniture.com

 www.tovfurniture.com

If the future is female - your furniture should be, too. No mahogany in sight. Sexy settees shaped like lips. Price points for any budget. At TOV, we do things differently.