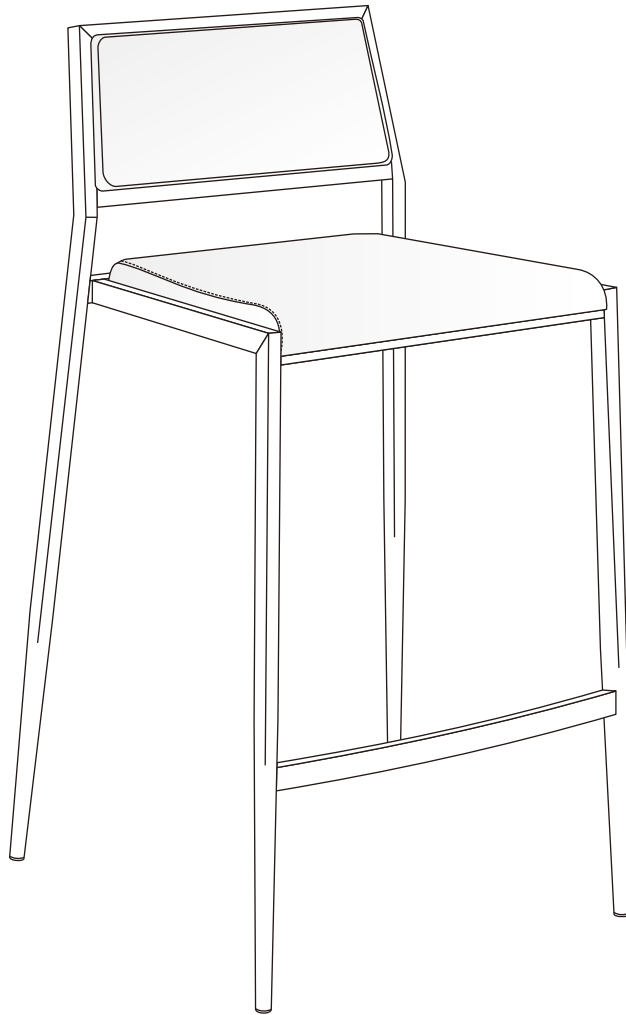


**TOV**



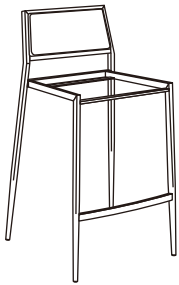
**Gale Stool**

**DON'T BE BORING.**

# Hardware and Components



A x1pc



B x1pc



C x2pcs(6x35MM)



D x2 pcs(6x20MM)



E x1pc (Allen Key M4)

## Step 1

Open the hardware bag.

This hardware bag is a small red bag inside of the main box.

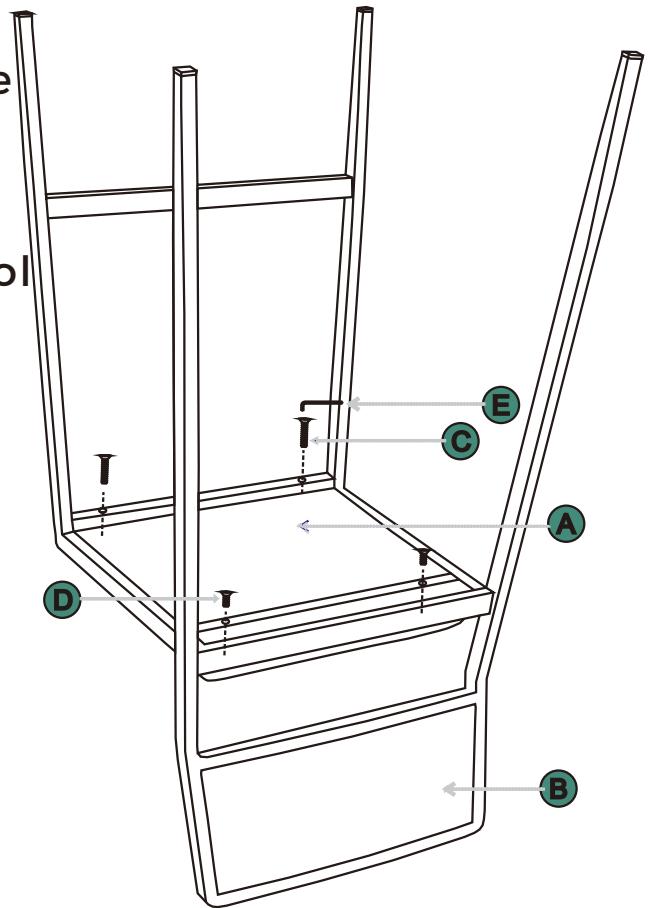


## Step 2

**A.** Lay the stool base (part B) with the back faced down.

**B.** Attach the seat (part A) to the stool base (part B) using the long bolts (parts C) for the front of the seat, Short bolts (part D) for back side of the seat.

**C.** Lightly tighten the 4 bolts with Allen Key tool (part E)

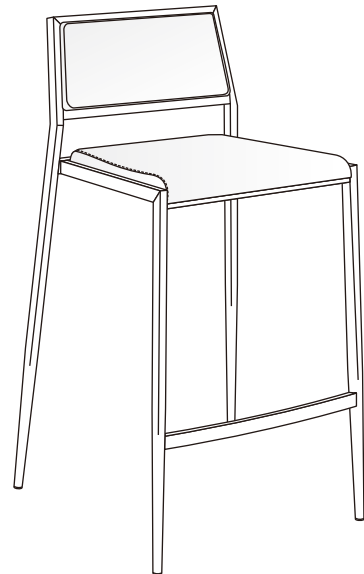


## Step 3

**A.** Stand the stool upright.

**B.** Fully tighten all bolts using Allen Key tool (Part E)

**C.** Complete!



**Stuck?**

Contact our team @ 516-888-3355

Scan for product care!



# TOV



## Follow us!

Show your new purchase some love by tagging it on our Instagram!

 @tovfurniture

 516-888-3355

 hello@tovfurniture.com

 www.tovfurniture.com

If the future is female--your furniture should be, too. No mahogany in sight. Sexy settees shaped like lips. Price points for any budget. At TOV, we do things differently.