


TOV



Follow us!

Show your new purchase some love by tagging it on our Instagram!

 @tovfurniture

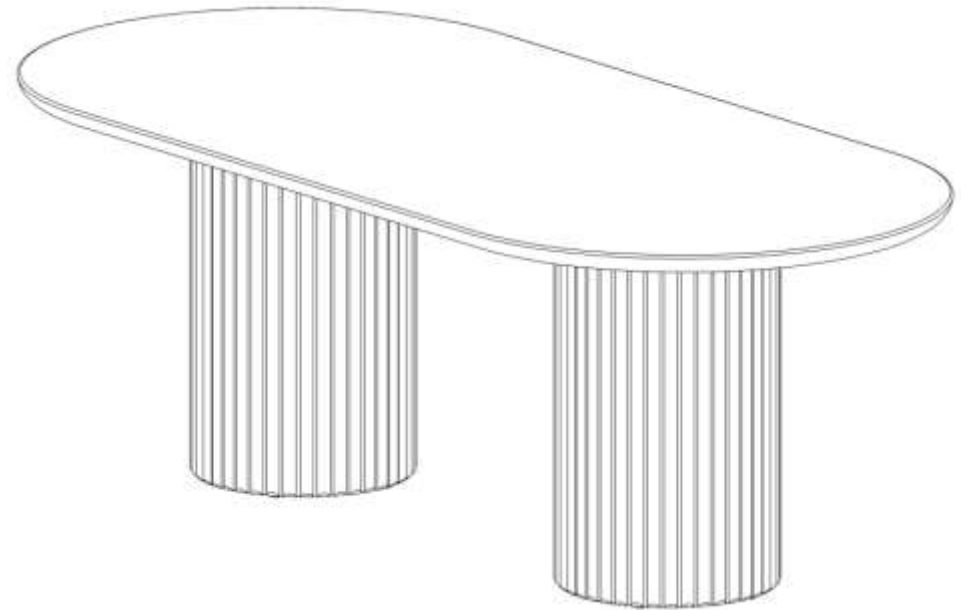
 516-888-3355

 hello@tovfurniture.com

 www.tovfurniture.com

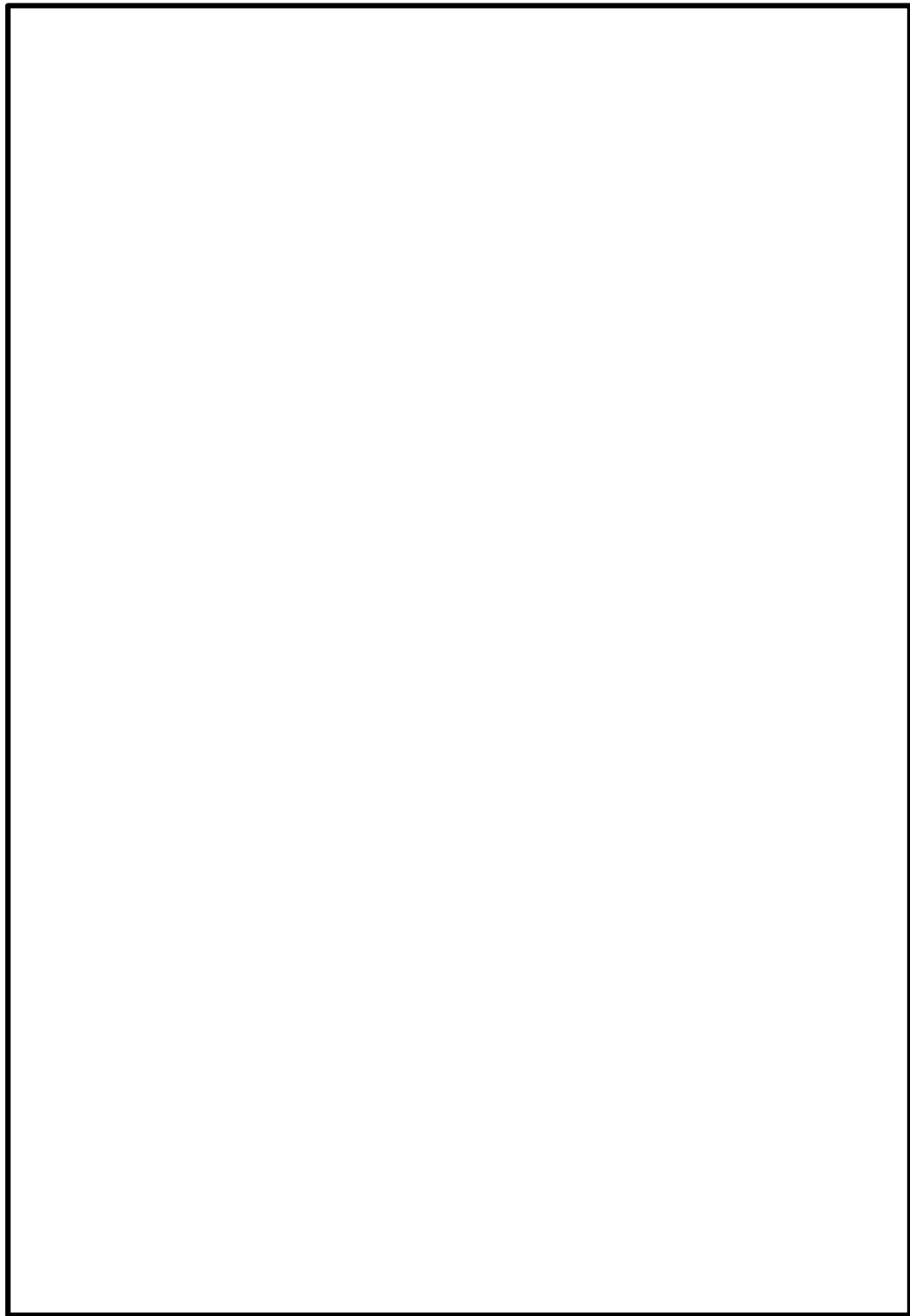
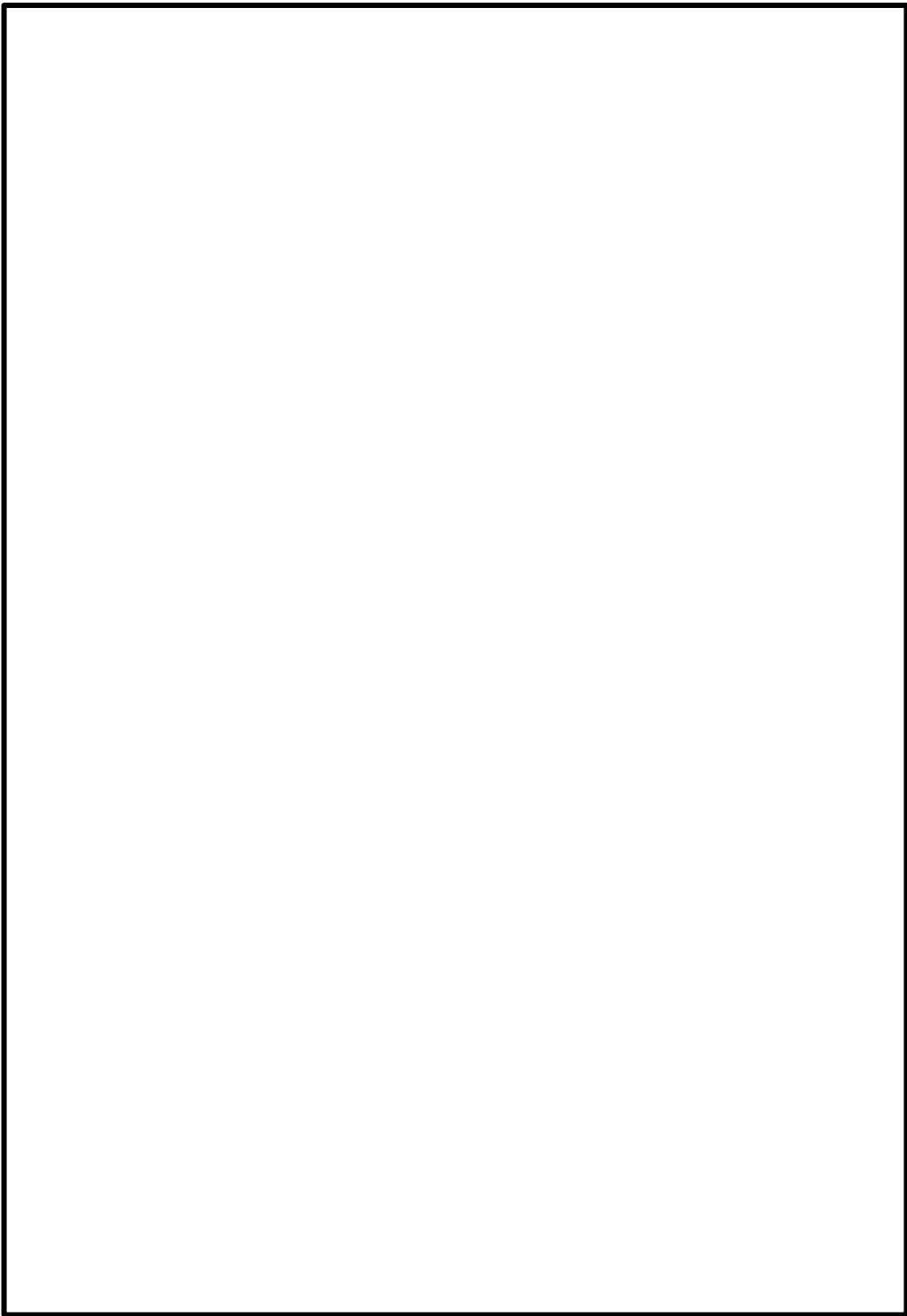
If the future is female—your furniture should be, too. No mahogany in sight. Sexy settees shaped like lips. Price points for any budget. At TOV, we do things differently.

TOV



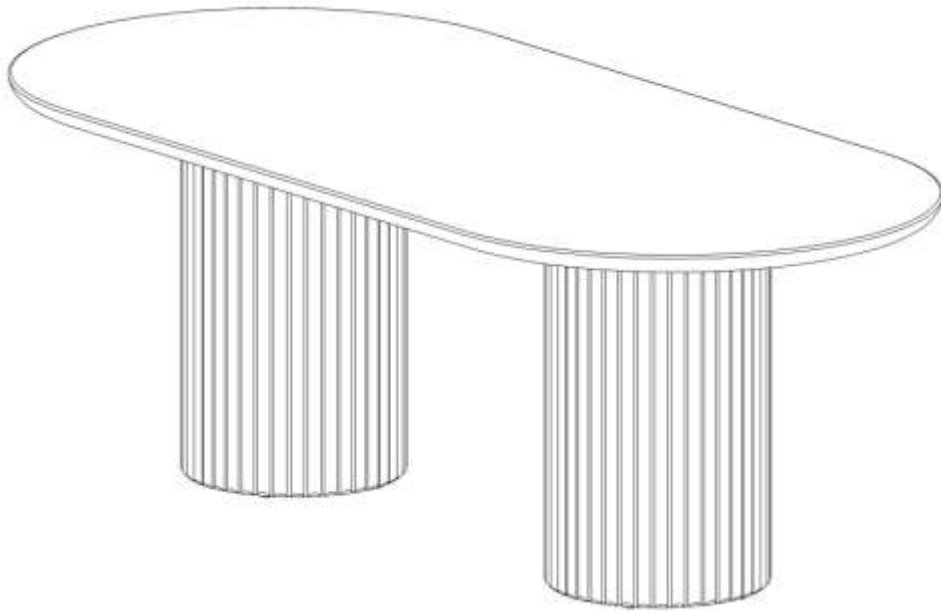
BRUT MARBLE DINING TABLE

DON'T BE BORING.



Step 4

A. Complete!








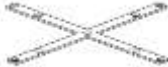
Stuck?

Contact our team @ 516-888-3355

Scan for product care!



Hardware and Components

-  (A) Top x 1pcs
-  (B) Base x 2pcs
-  (C) Bolt M8*20 x 18pcs
-  (D) Washer $\varnothing 22*2$ x 8pcs
-  (E) Allen Key x 2pcs
-  (F) Cross Bar x 2pcs

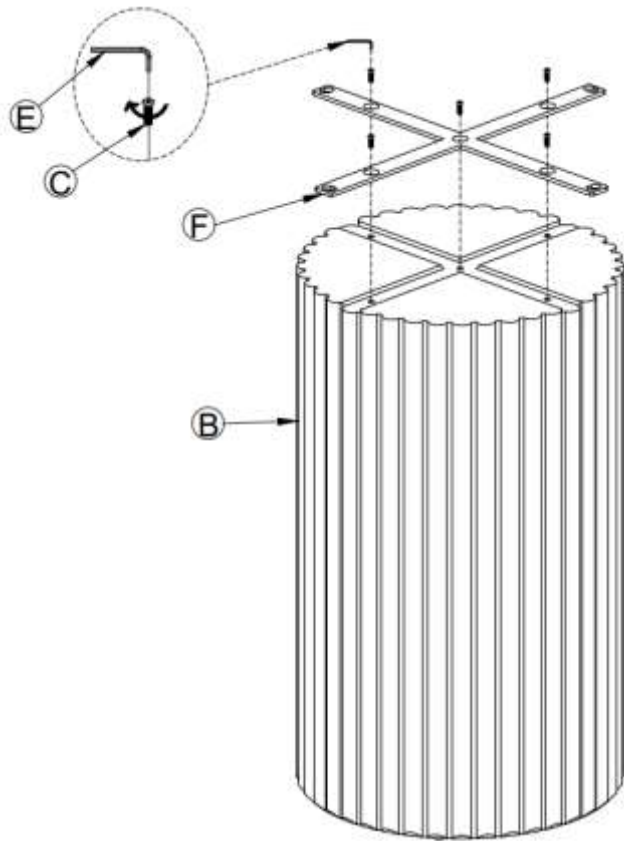
Step 1
Open box of hardware and legs.

This hardware box will be a smaller box inside of the main box. Look for the red streamer.



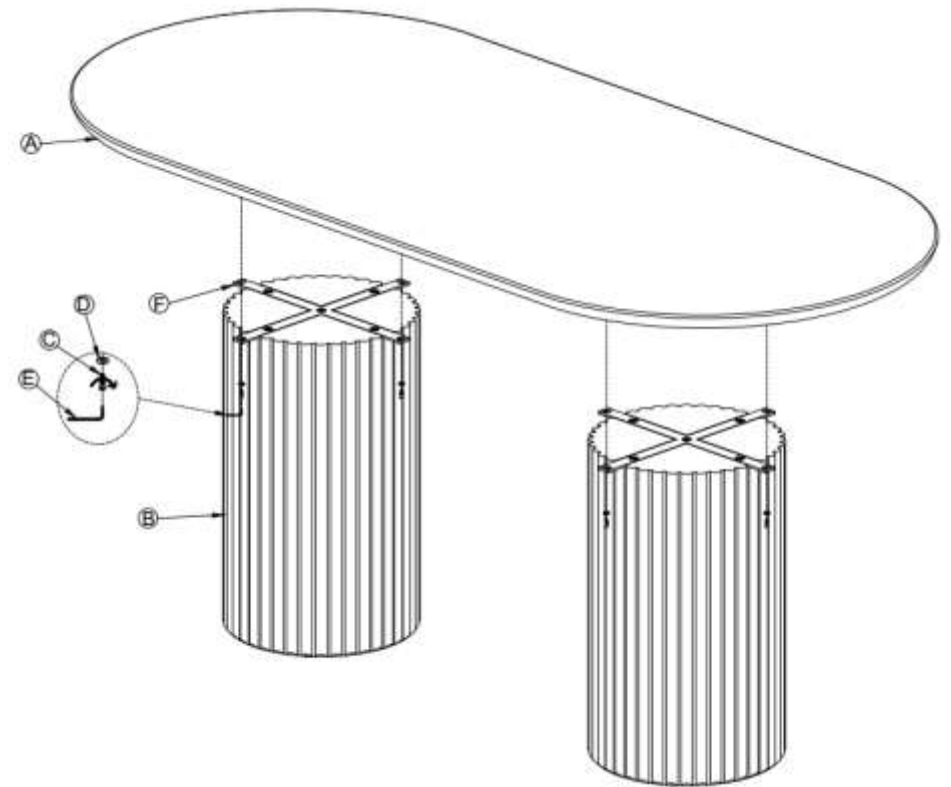
Step 2

- 1) Place table base (B) on the floor.
- 2) Using hardware (C, E), fix the Cross Bar (F) to the table base (B) as shown below.



Step 3

- 1) Place both bases (B) upright on the floor
- 2) Lay the table top (A) on the table base (B) with care, align the insert hole of table bases (B) to match with the table top (A).
- 3) Secure table top (A) to the table bases (B) with hardware (C), (D) & (E).



Please fasten the screws/bolts at 70%, and fully tighten them after all screw/bolts are fully in place.