


TOV



Follow us!

Show your new purchase some love by tagging it on our Instagram !

 @tovfurniture

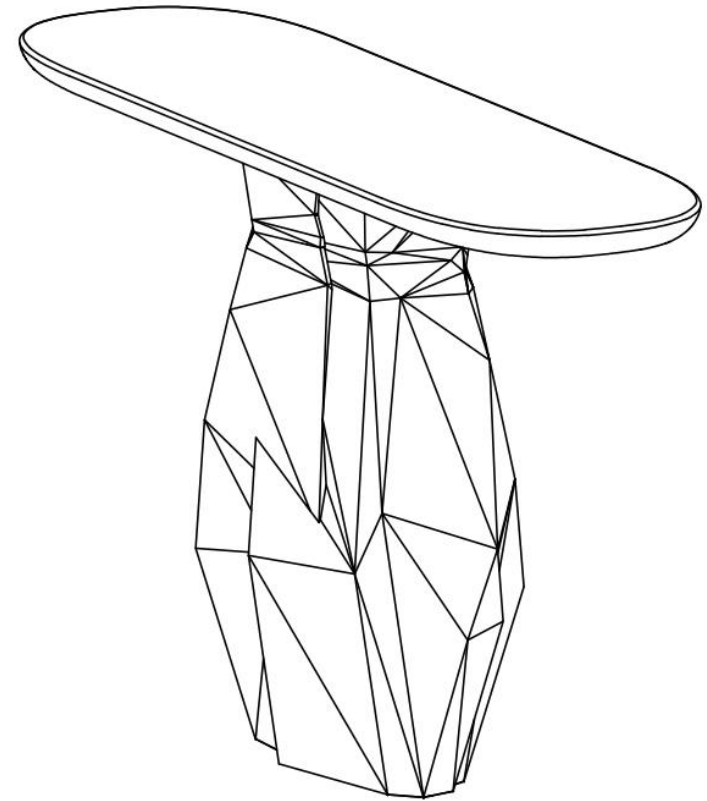
 516-888-3355

 hello@tovfurniture.com

 www.tovfurniture.com

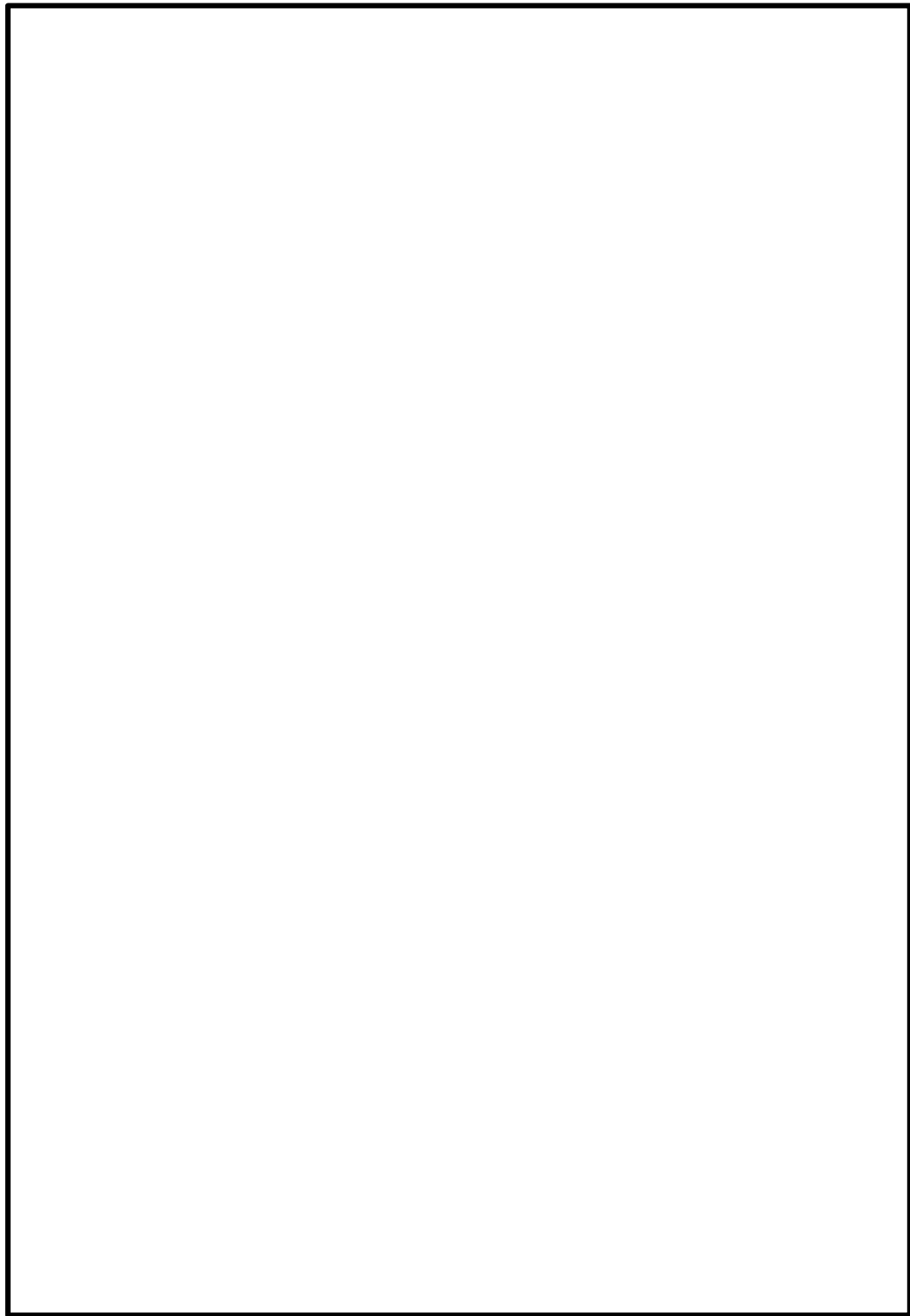
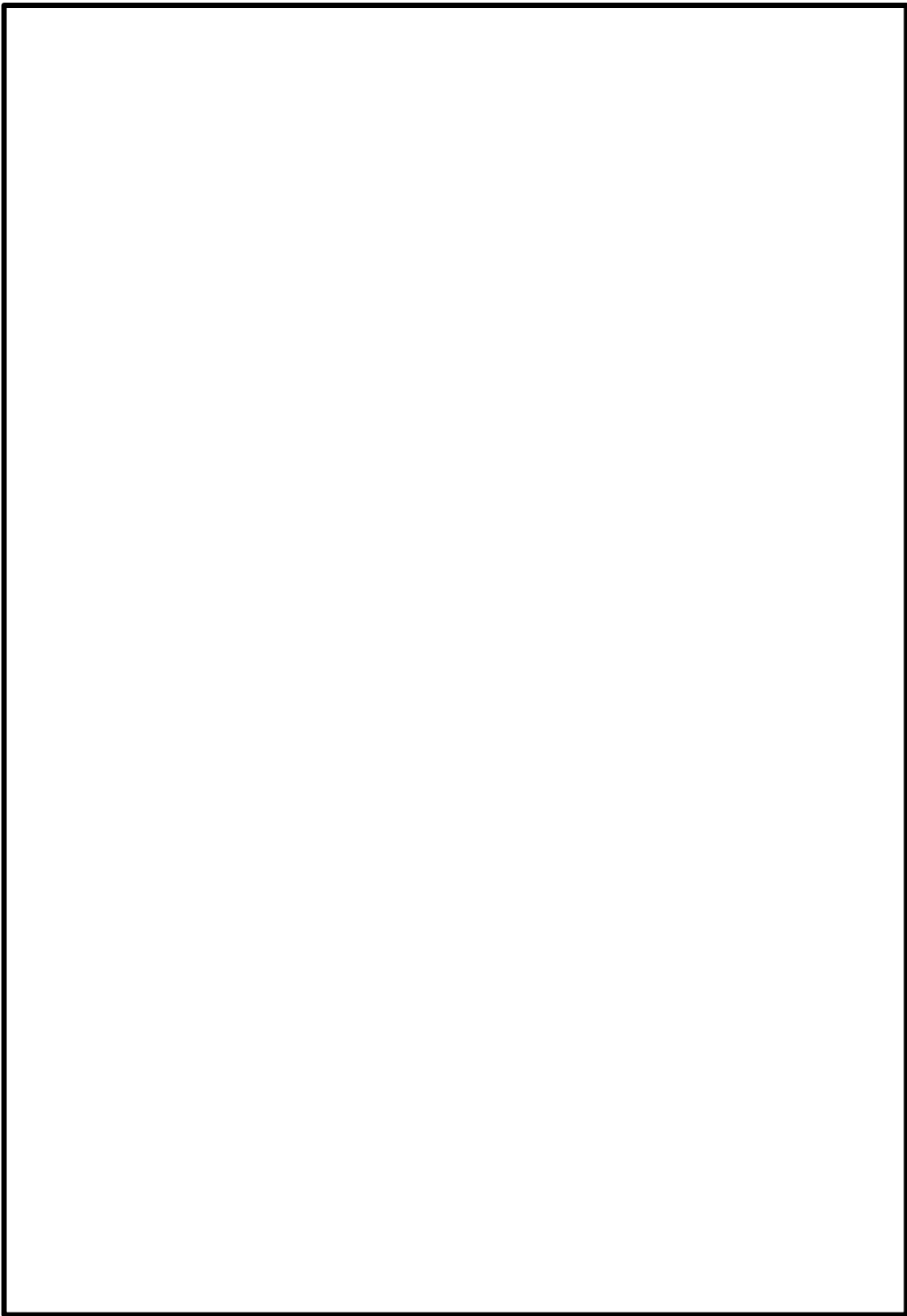
If the future is female—your furniture should be, too. No mahogany in sight. Sexy settees shaped like lips. Price points for any budget. At TOV, we do things differently.

TOV



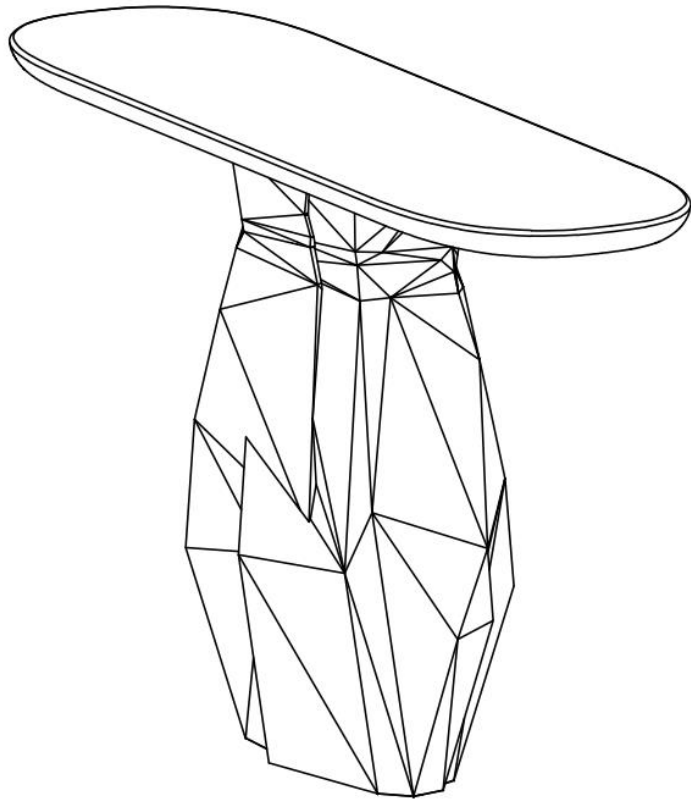
Esme Faux Marble Long Console Table

**DON'T BE BORING.**



Step 4

Complete!




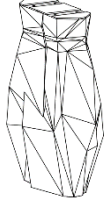



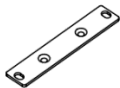
Stuck?

Contact our team @ 516-888-3355

Scan for product care!



## Hardware and Components

-  ..... (A) Top x 1pcs
-  ..... (B) Base x 1pcs
-  ..... (C) Bolt M8\*20 x 8pcs
-  ..... (D) Washer  $\varnothing 22*2$  x 4pcs
-  ..... (E) Allen Key x 1pcs
-  ..... (F) Iron Bar x 2pcs

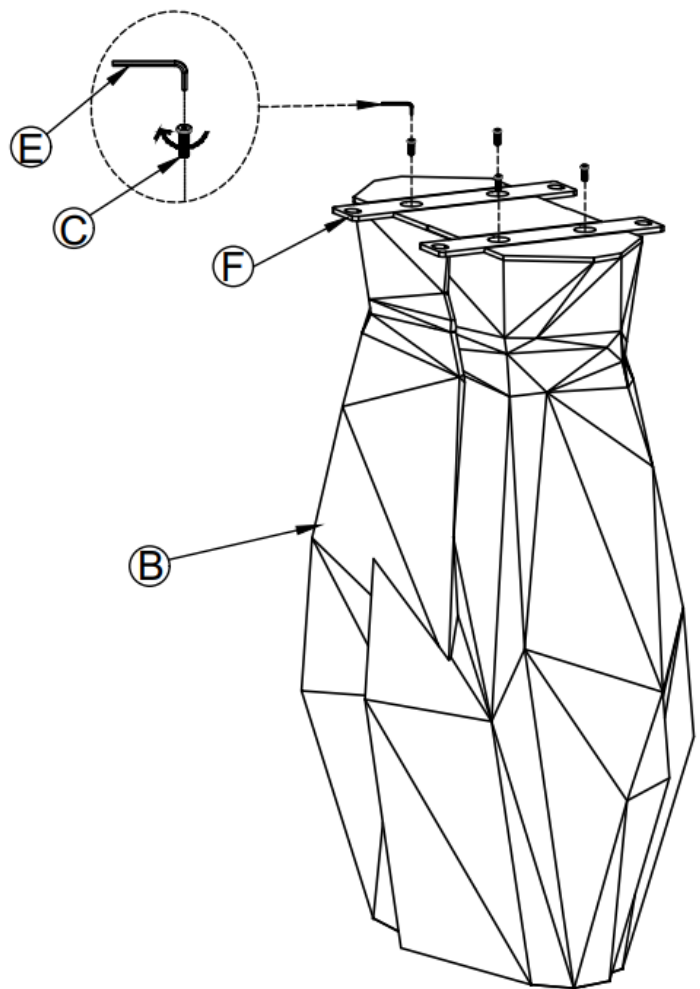
Step 1  
Open box of hardware and legs.

This hardware box will be a smaller box inside of the main box. Look for the red streamer.



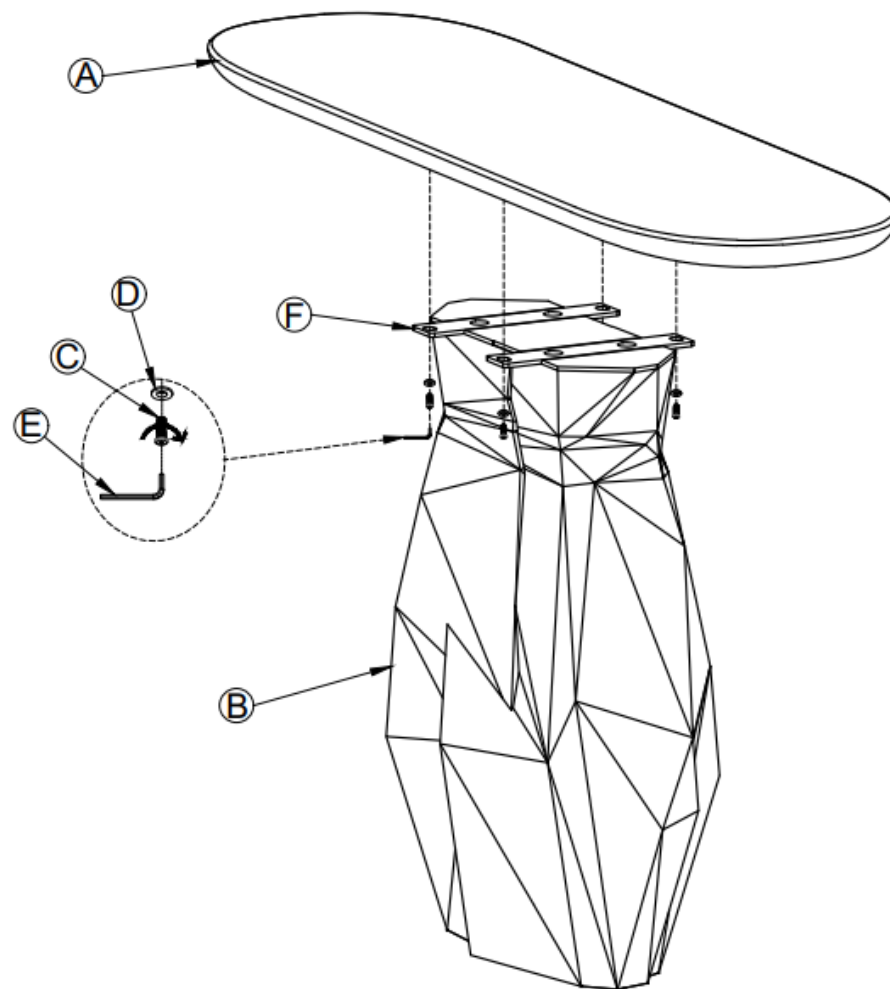
### Step 2

- 1) Place table base (B) on the floor.
- 2) Secure the iron bars (F) to the table base (B) with hardware (C), (D) & (E)



### Step 3

- 1) Place the table base (B) upright on the floor
- 2) Secure iron bars (F) to table top (A) with hardware (C), (D) & (E).



**Please fasten the screws/bolts at 70%, and fully tighten them after all screw/bolts are fully in place.**