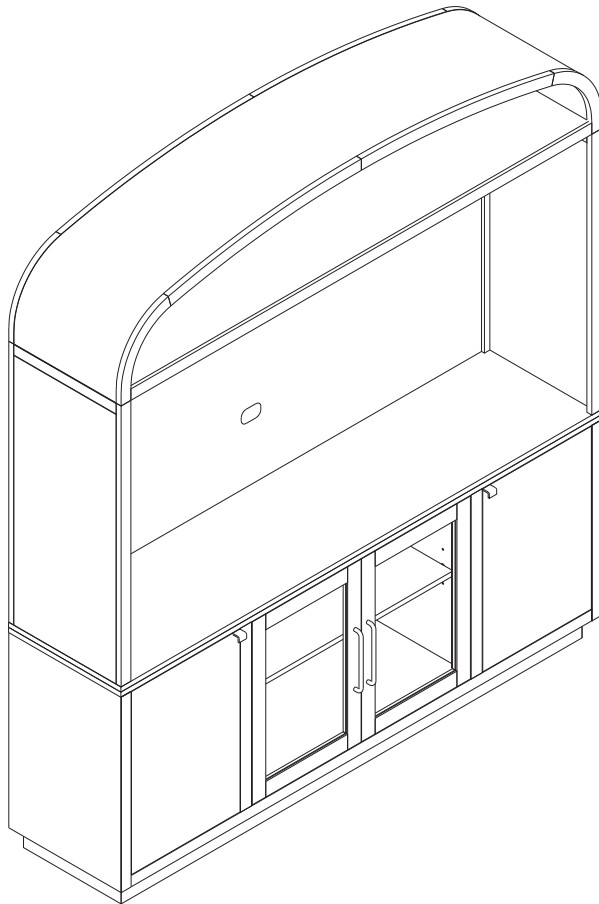


MARLOW CONSOLE AND HUTCH


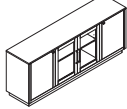


MARLOW

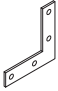



ASSEMBLY INSTRUCTIONS



PARTS LIST

LABEL	PICTURE	DESCRIPTION	Q'TY
A		HUTCH	1
B		CONSOLE	1

HARDWARE

LABEL	PICTURE	DESCRIPTION	Q'TY
C		IRON - PLATE	2
D		SCREW	2
E		SCREW	8
F		ANTI - TIP KIT(SET)	2

BEFORE BEGINNING ASSEMBLY:



Read instructions cover to cover



Have two adults on hand for assembly



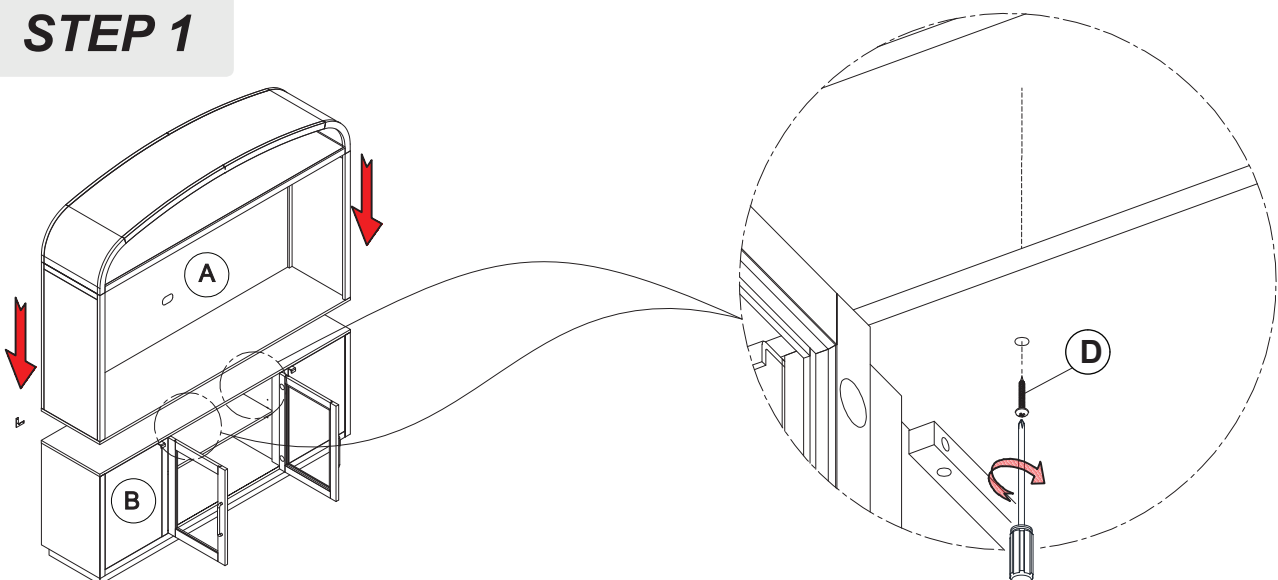
Do NOT assemble on flooring or carpet. Assemble on a clean non-marring surface (ex: packing foam)



Save all packaging until assembly is completed

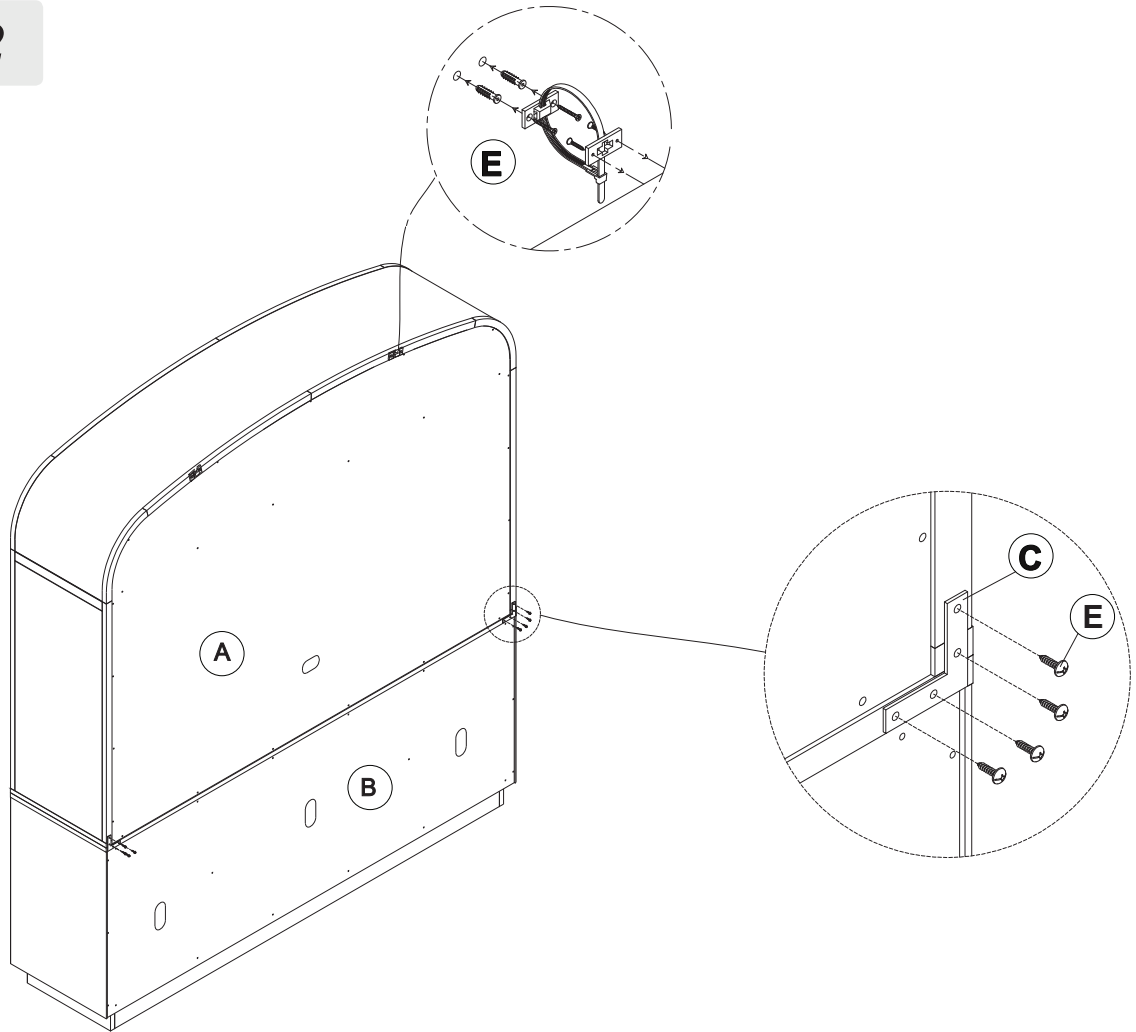
ASSEMBLY STEPS

STEP 1



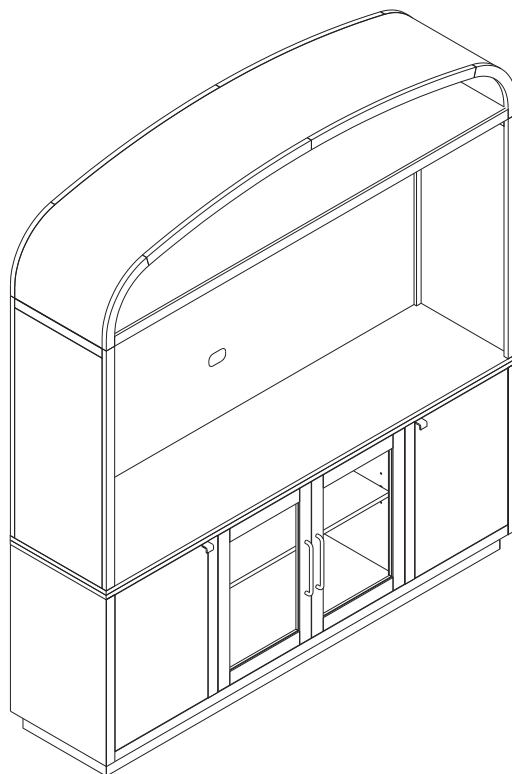
ASSEMBLY STEPS

STEP 2



1. Install the Iron - Plate (C) to the back of the Hutch and Console.
2. Install the Anti Tip Kit (E) to the back of the Hutch, and attach it securely to the wall.

FINISH



CARE & MAINTENANCE



Do not put hot items directly on furniture surface.



Do not clean furniture with harsh cleansers or polish



Dust and wipe up spills using a clean, non-colored, lint-free cloth.



Stains may be removed with a mild soap solution and a damp cloth.



Do not place furniture under direct sunlight.



Do not place furniture near heating or cooling vents.



Do not write on furniture without a padded barrier to protect the surface.



Do not place furniture outside, for indoor use only.