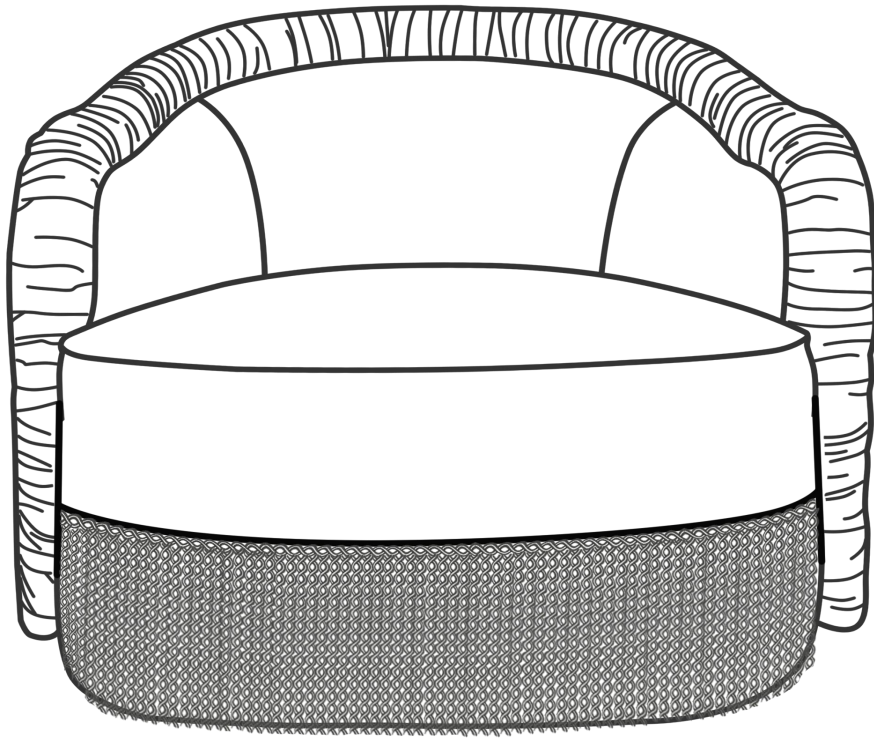


T O V



**Pamela Tassel
Lounge Chair**

DON'T BE BORING.

Hardware and Components



A

x 4pcs



B

x 4pcs M8*40mm



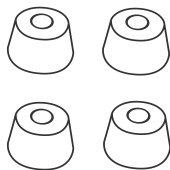
C

x 1pcs Allen Key - 4mm

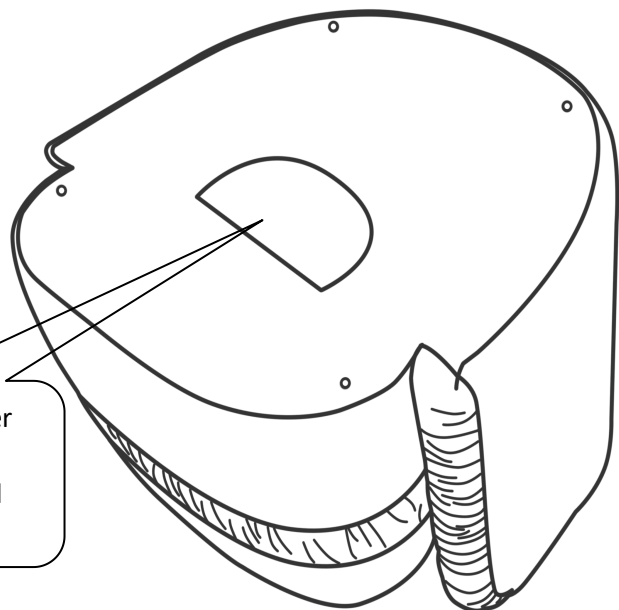
Step 1

A. Open the carton and take out the chair, put it up-side down as shown.

B. The hardware bag will be in a small bag tied inside to the chair bottom bag.



Please open the zipper underneath chair and there are the legs and Hardware pack

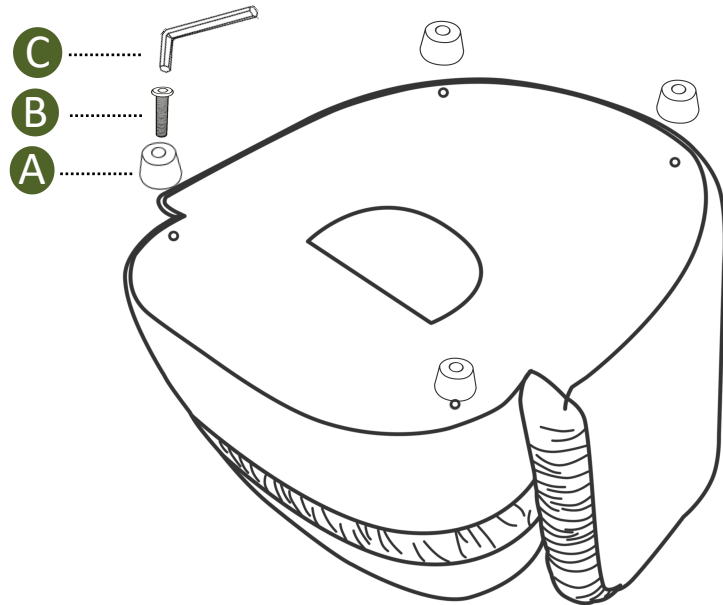


Step 2

A. Attach leg (part B), to chair base using parts, C and D

B. Repeat 4x, for all 4 legs

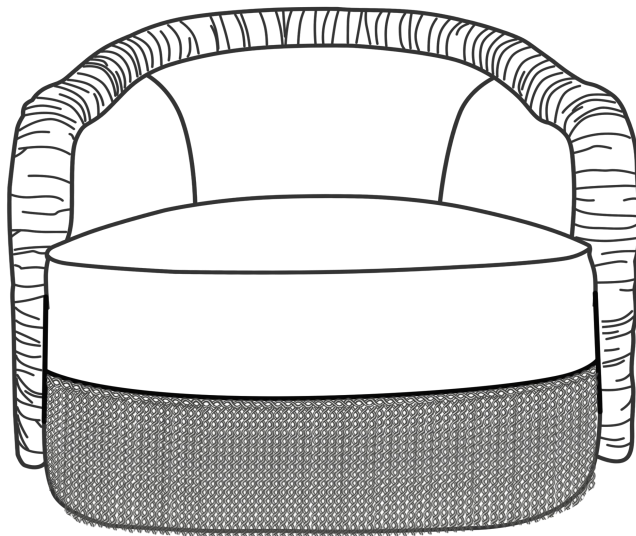
C. Lightly tighten with Allen key tool (part D)



Step 3

A. Tip chair back to the upright position.

B. Complete!



Stuck?

Contact our team @ 516-888-3355

Scan for product care!




TOV



Follow us!

Show your new purchase some love by tagging it on our Instagram!

 @tovfurniture

 516-888-3355

 hello@tovfurniture.com

 www.tovfurniture.com

If the future is female—your furniture should be, too. No mahogany in sight. Sexy settees shaped like lips. Price points for any budget. At TOV, we do things differently.