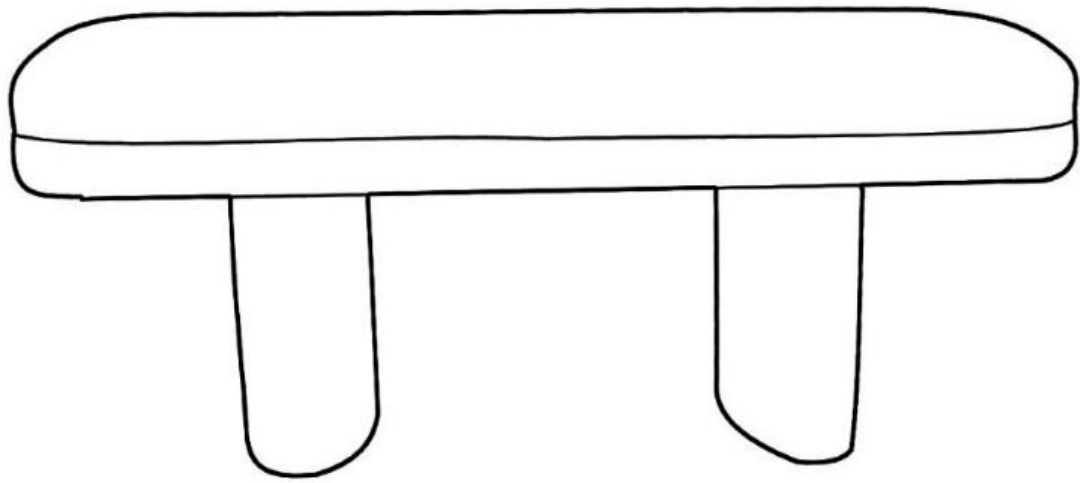


TOV



Ollie Bench

**DON'T BE BORING.**

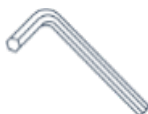
# Hardware and Components



**A** x1pc



**B** x2pcs



**C** x1pc-Allen key-M6



**D** x8pcs(M6x45mm)



**E** x8pcs



**F** x8pcs

## Step 1

Open bag of hardware and legs.

This hardware bag will be fixed on the main box.

Look for the red streamer.

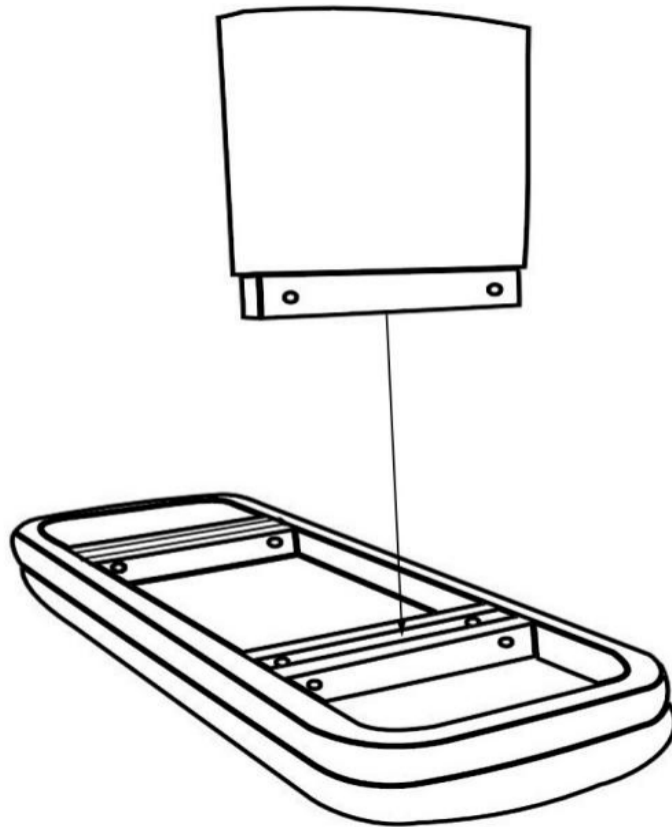


## Step 2

**A.** Tip bench over

**B.** Insert the top part of the leg in between the supports bar.

**C.** Repeat 2x, for both 2 legs



Stuck?

Contact our team @ 516-888-3355

Scan for product care!

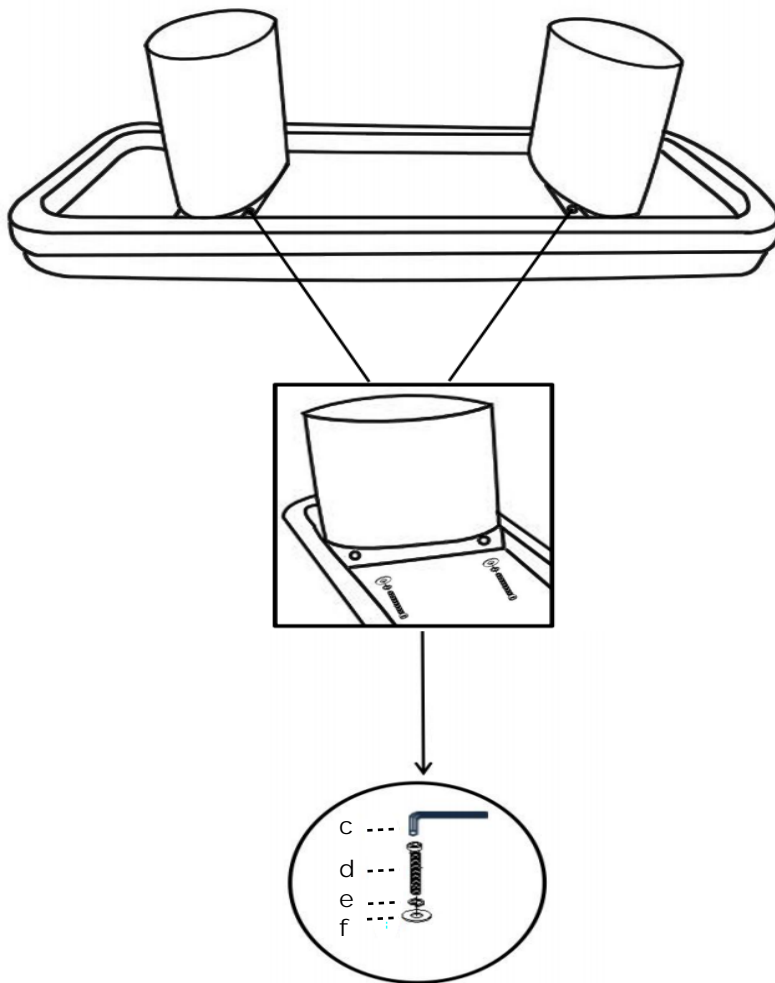


### Step 3

A. Attach Leg(part b), to bench base (part a) using parts,c,d, e,f

B. Repeat 2x, for both 2 legs

C. Lightly tighten with Allen Key tool(part c)



Stuck?

Contact our team @ 516-888-3355

Scan for product care!

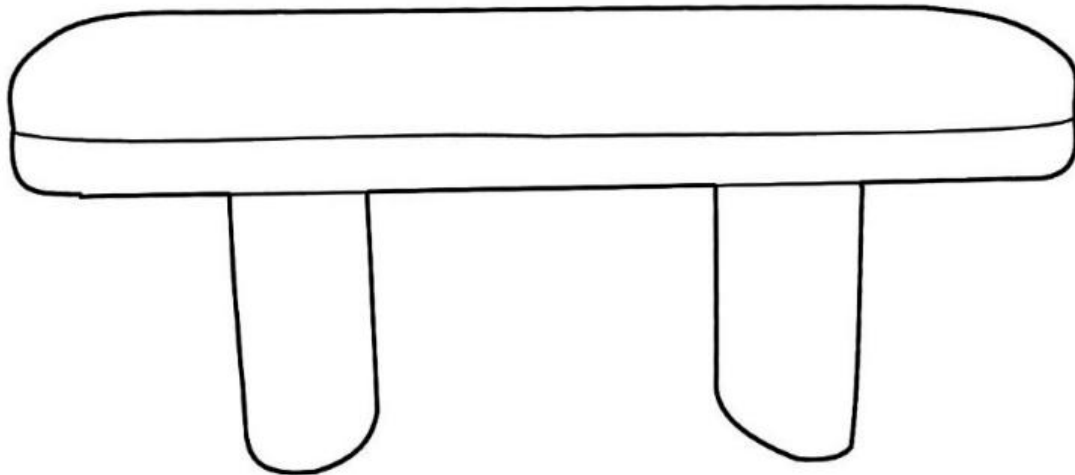


## Step 4

**A.** Tip bench back over, so it is standing up right position

**B.** Fully tighten all bolts with Allen Key tool (part c)

**C.** Complete!



Stuck?

Contact our team @ 516-888-3355

Scan for product care!




# TOV



## Follow us!

Show your new purchase some love by tagging it on our Instagram!

 @tovfurniture

 516-888-3355

 hello@tovfurniture.com

 www.tovfurniture.com

If the future is female—your furniture should be, too. No mahogany in sight. Sexy settees shaped like lips. Price points for any budget. At TOV, we do things differently.