



TOV





Follow us!

Show your new purchase some love by tagging it on our Instagram!

 @tovfurniture

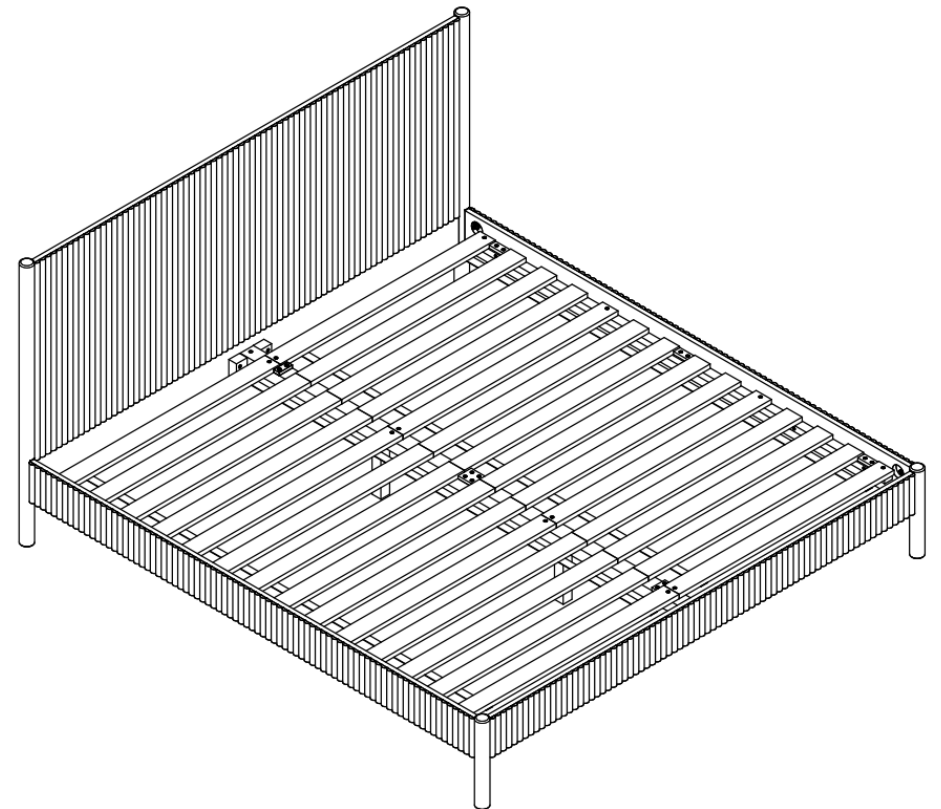
 516-888-3355

 hello@tovfurniture.com

 www.tovfurniture.com

If the future is female—your furniture should be, too. No mahogany in sight. Sexy settees shaped like lips. Price points for any budget. At TOV, we do things differently.

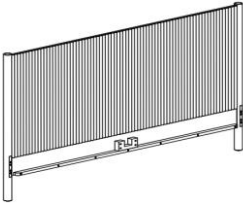
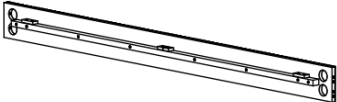
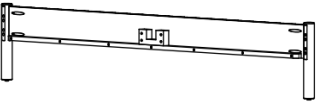
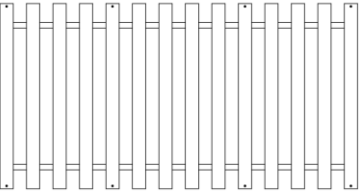


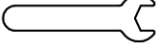





TOV



TYLA BED KING/QUEEN

DON'T BE BORING.

Hardware and Components

-  **A** x1pc
-  **B** x2pcs
-  **C** x1pc
-  **D** x2pcs
-  **E** x1pc
-  **F** x2pcs
-  **G** x1pc
-  **H** x8pcs
-  **I** x8pcs
-  **J** x8pcs
-  **K** x8pcs
-  **L** x18pcs

STEP 1

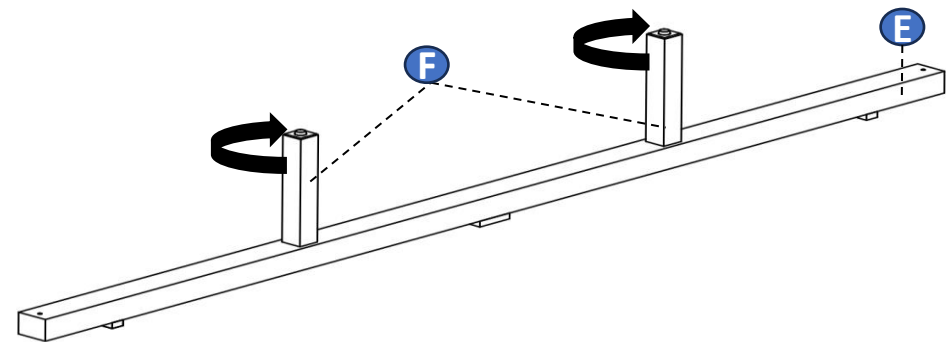
Open box of hardware and legs.

This hardware box will be a smaller box inside of the main box. Look for the red streamer.



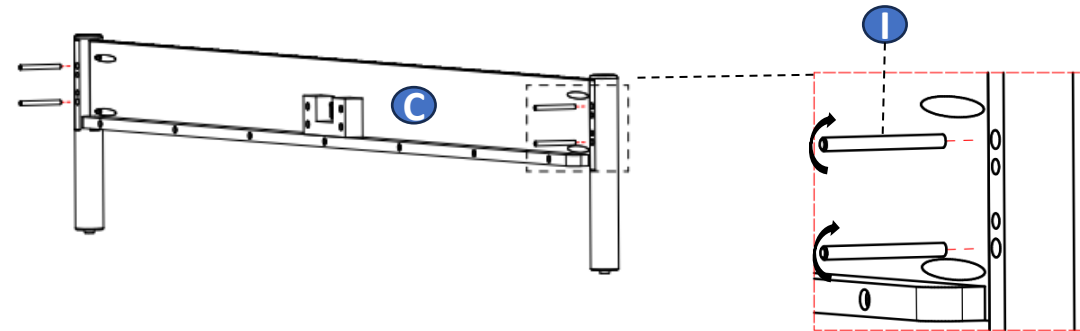
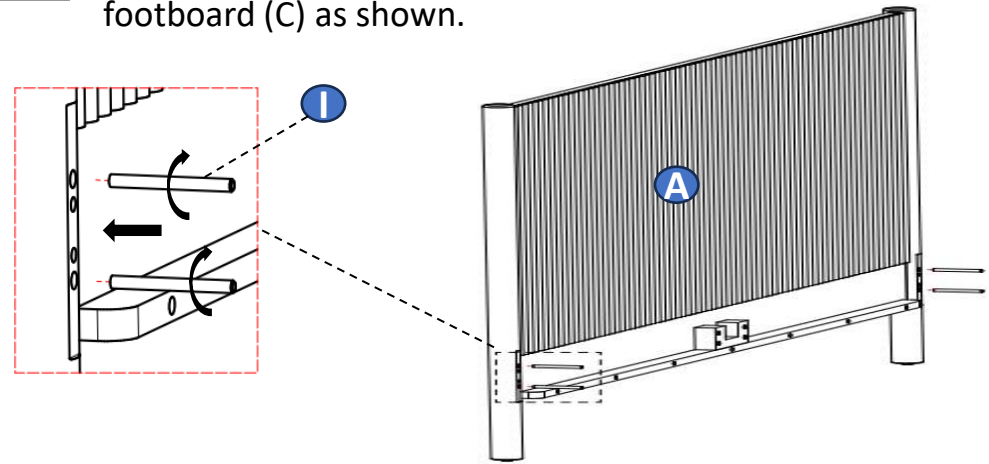
STEP 2

1) Secure the legs (F) to the center support bar (E).



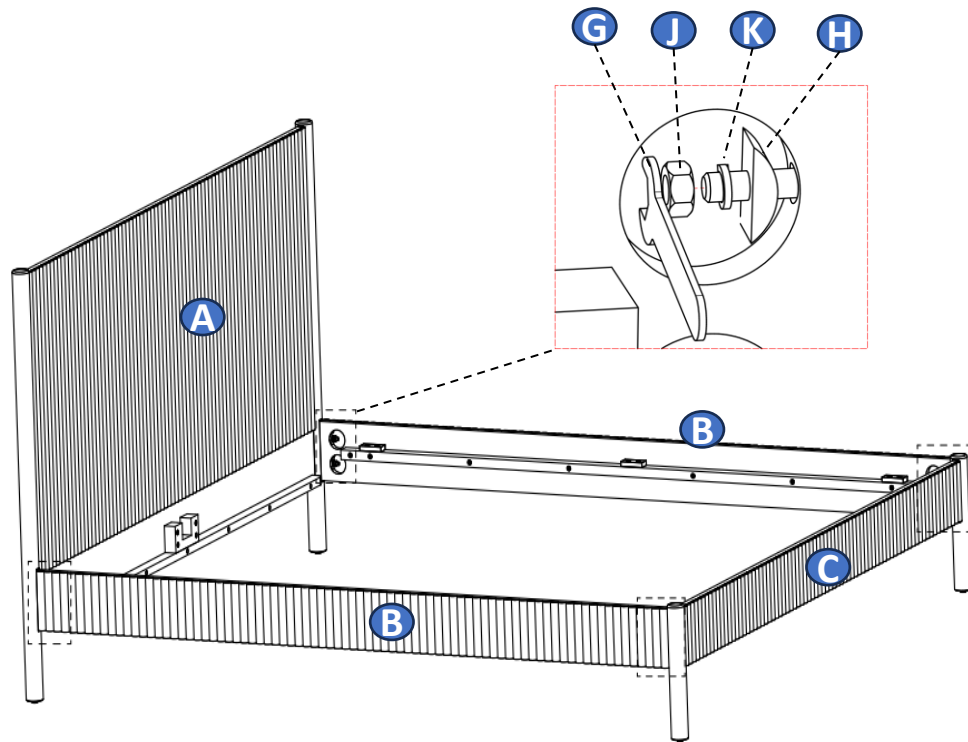
STEP 3

1) Insert hardware (I) into the holes on headboard (A) and footboard (C) as shown.



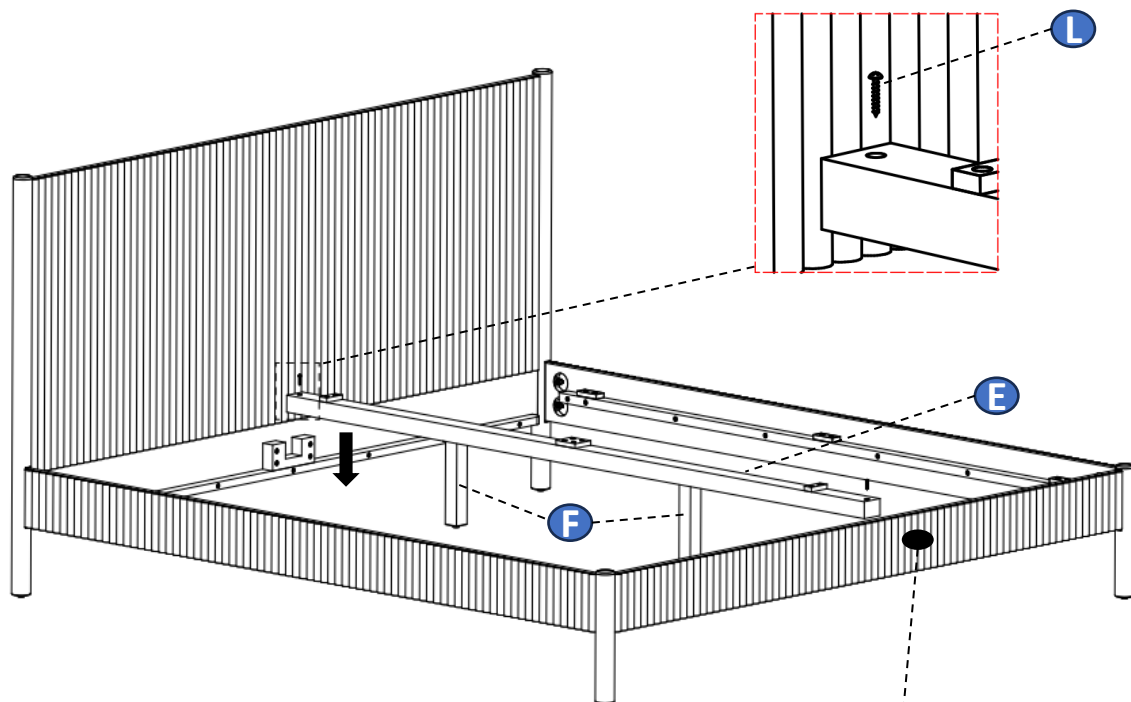
STEP 4

1) Attach both end of side rails (B) to headboard (A) and footboard (C) with hardware (G), (J) & (K) by wrench (H)..



STEP 5

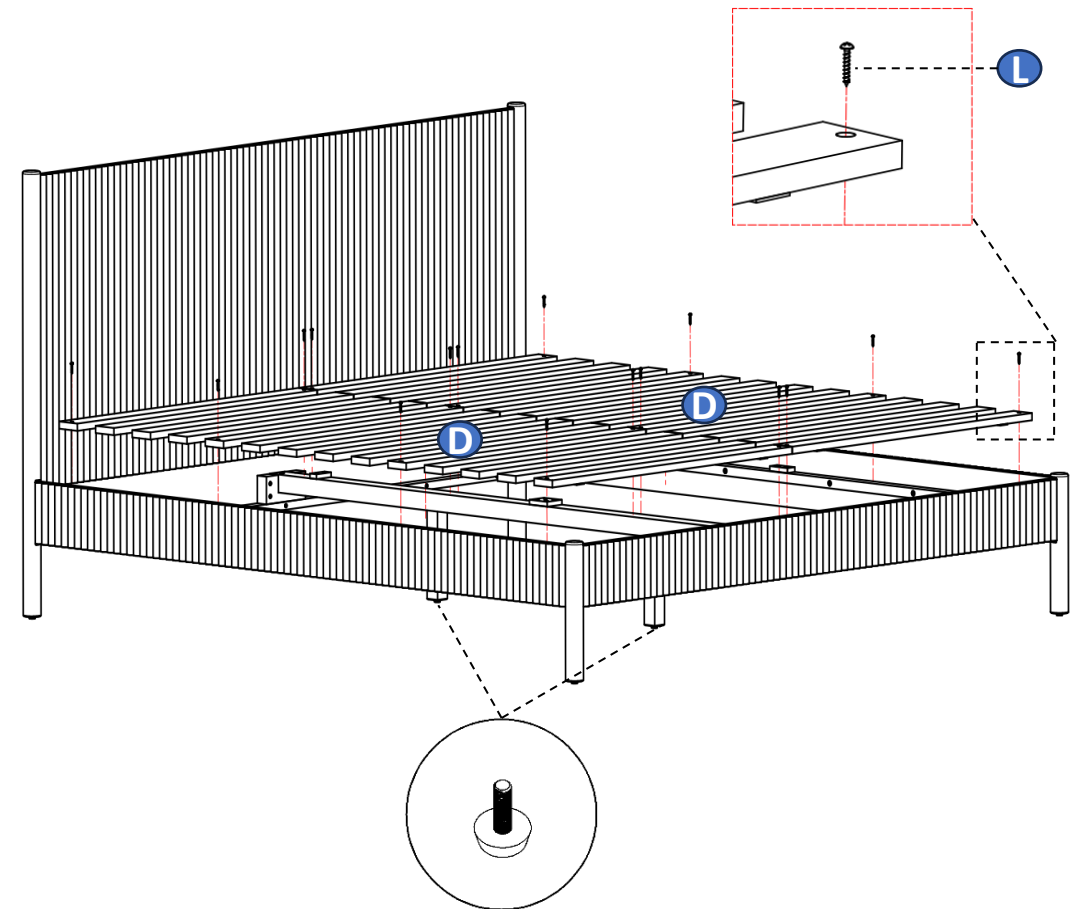
1) Attach the center support bar (E) with hardware (L) as shown.



Place your foot on this point before tightening the screw.

STEP 6

1) Put on the bed slats (D) and secure with hardware (L).



Adjust levelers on floating center legs to allow for a 2-3mm clearance

Stuck?
Contact our team @ 516-888-3355
Scan for product care!

