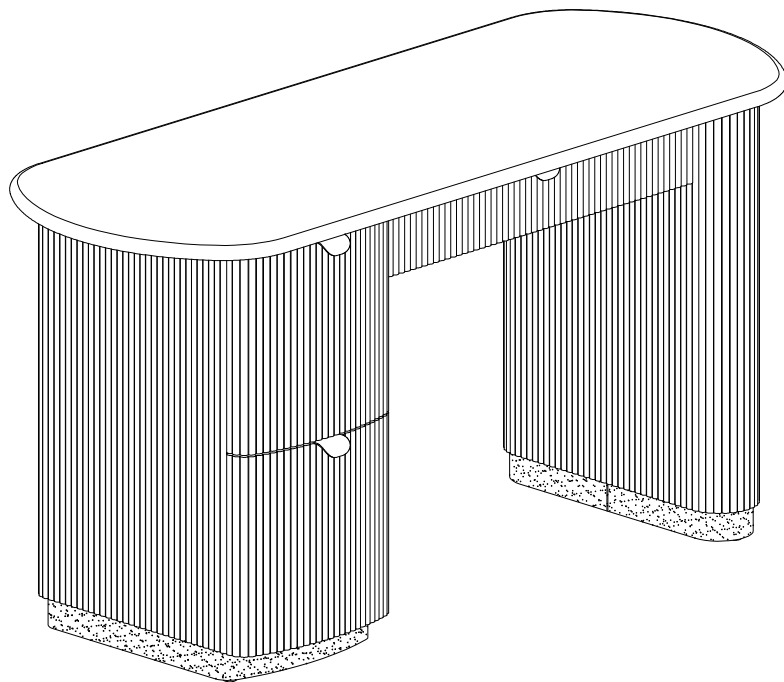


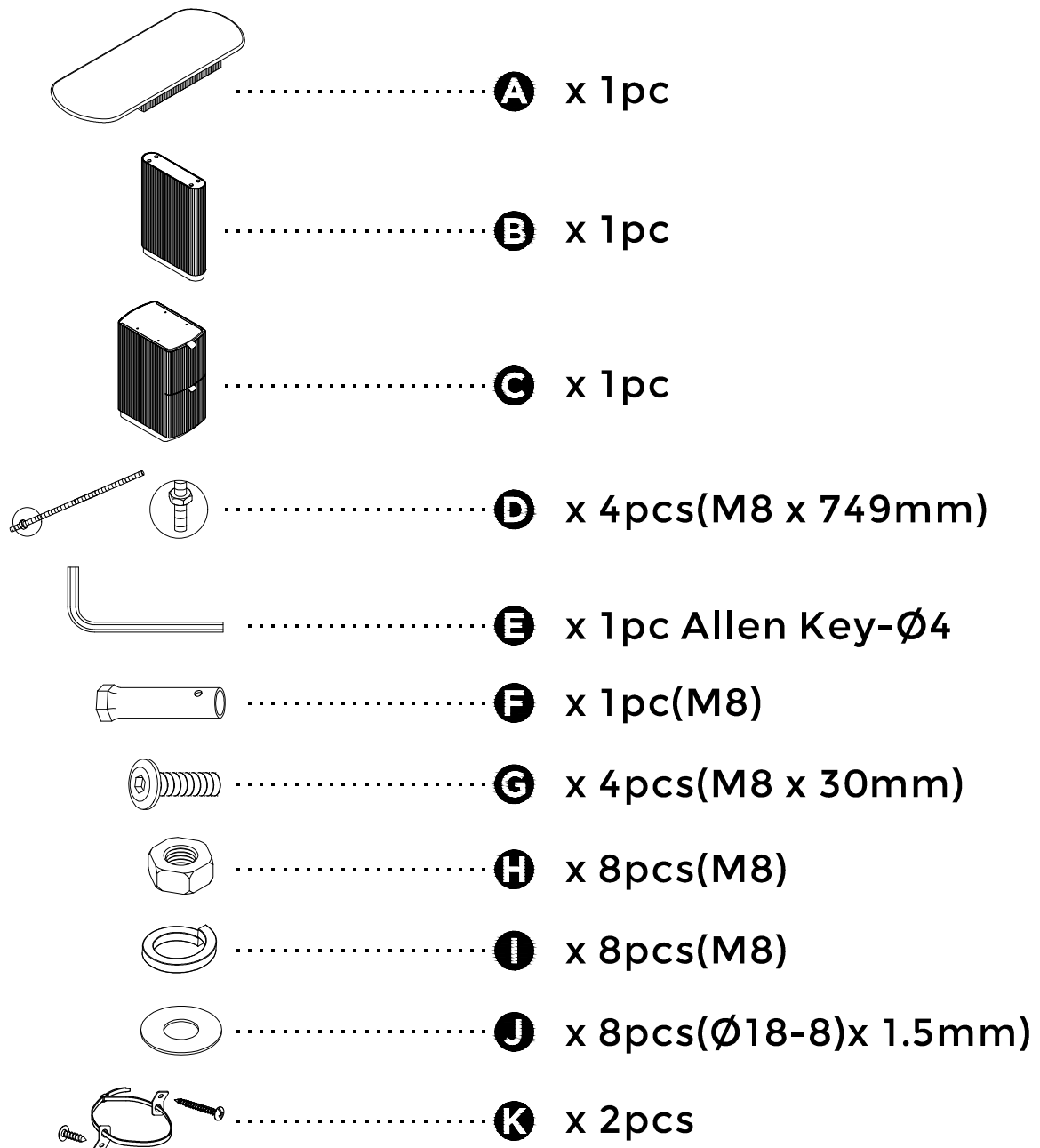
T O V



**Francesca
3-Drawer Desk**

DON'T BE BORING.

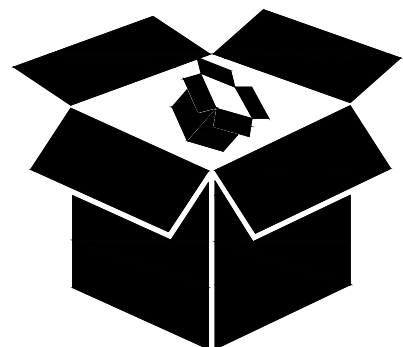
Hardware and Components



Step 1

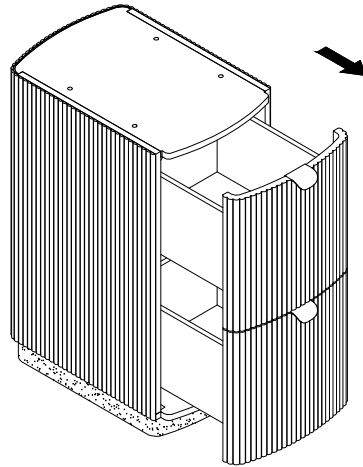
Open box of desk top.

Look for a hardware bag in the desk top box. The hardware package has a red streamer.



Step 2

A. Pull out the drawer.

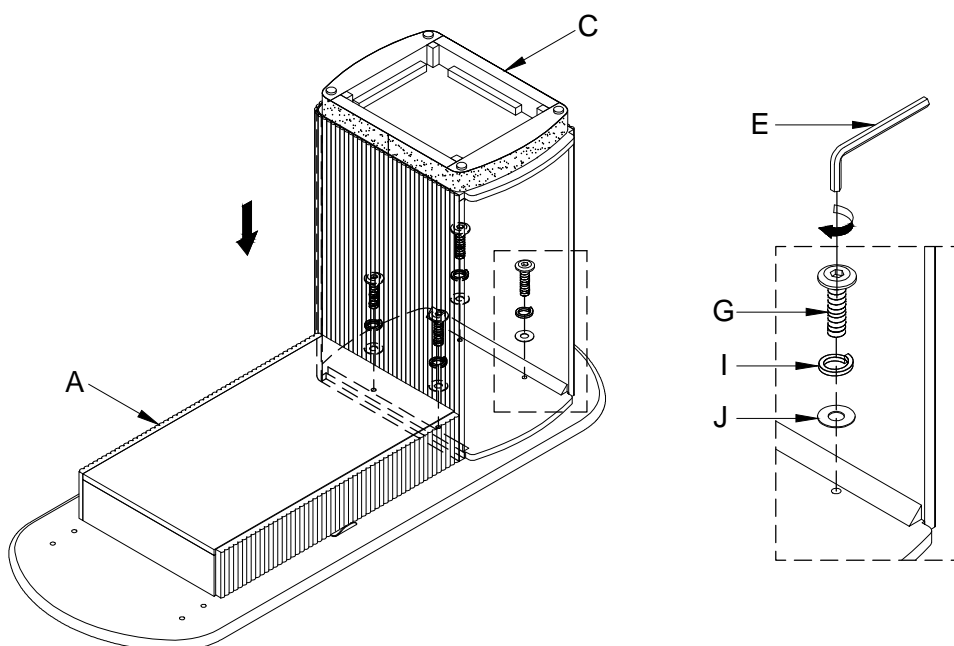


Step 3

A. Tip desk over

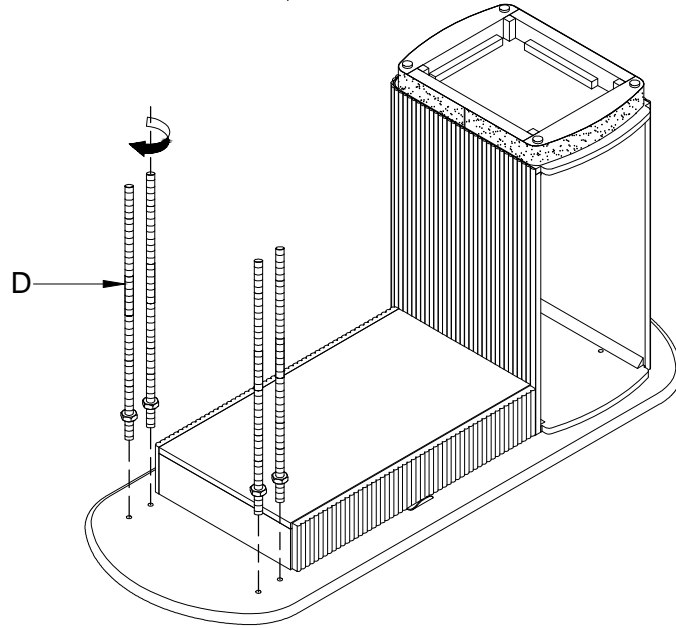
B. Attach body (part C) to desk top (part A) using parts G, I and J

C. Lightly tighten using tools E



Step 4

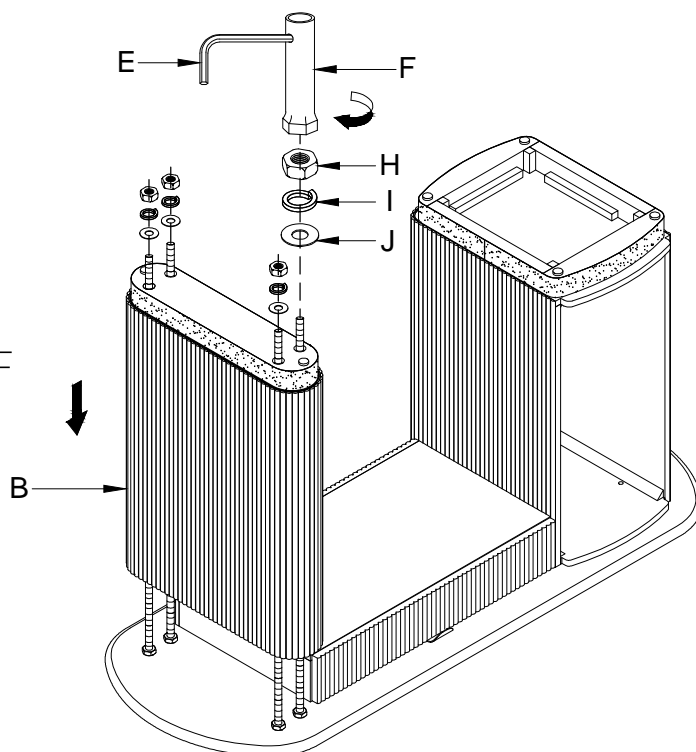
A. Attach part D to desk top



Step 5

A. Attach Leg (part B) to desk top using parts H, I and J

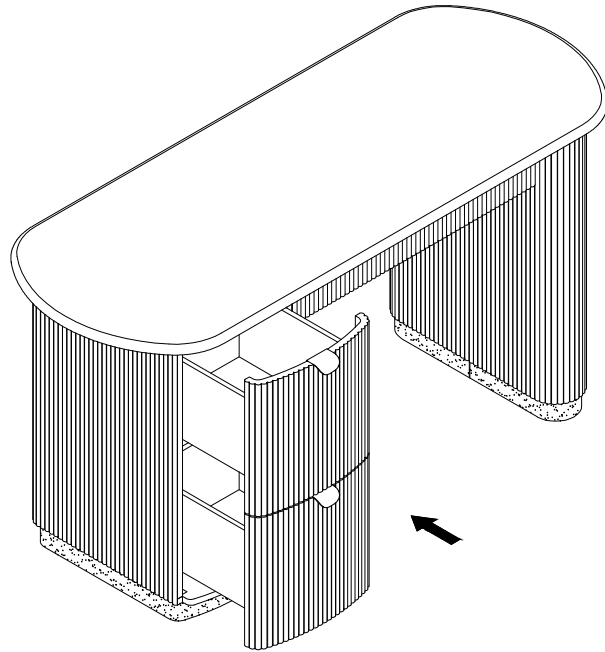
B. Lightly tighten using tools E and F



Step 6

A. Tip desk back over, so it is standing in the upright position.

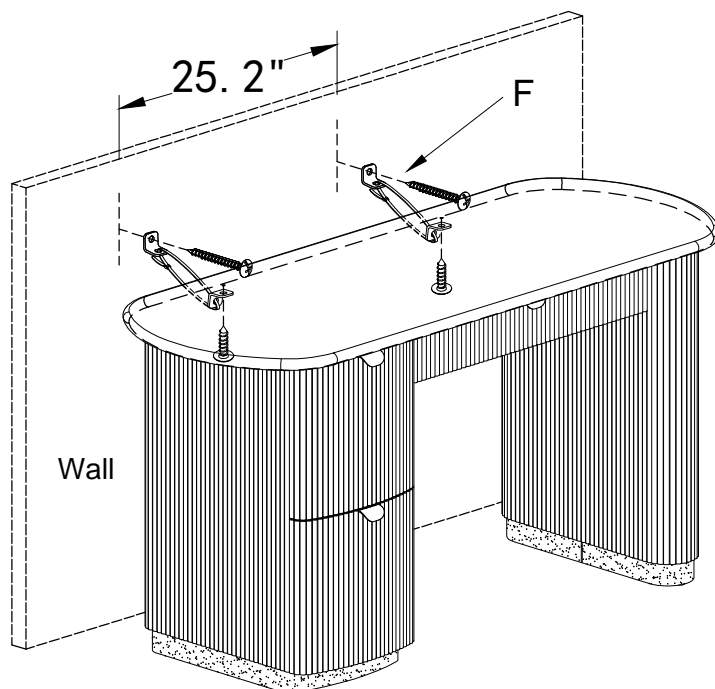
B. Close the drawer.



Step 7

A. Attach desk to wall using part, F

B. Complete!



Stuck?
Contact our team @ 516-888-3355

Scan for product care!




TOV



Follow us!

Show your new purchase some love by tagging it on our instagram!

 [@tovfurniture](https://www.instagram.com/tovfurniture)

 516-888-3355

 hello@tovfurniture.com

 www.tovfurniture.com

If the future is female-your furniture should be,too.No mahogany in sight. Sexysettees shaped like lips.Price points for any budget.At TOV,we do things differently.